

Thermostatic Temperature Regulators Series 1140 & 1141

The Series 1140 & 1141 Temperature Regulators are designed to maintain a desired temperature for commercial and institutional heating and cooling applications. They are self-actuated and vapor pressure operated.

- Operating modes
 - Direct Acting
 - Reverse Acting
 - Three Way
- Available in sizes 1/2" - 2" NPT
2 1/2" - 4" (65 - 100mm) Flanged
- Available in various body styles with different seating arrangements
- Hermetically sealed actuator available in temperature control ranges of 40°F (4.4°C) through 220°F (104°C) in increments of 40°F (22.2°C)
- Optional wells available in copper or stainless steel
- Heavy duty 10 ft. (3mm) capillary with flexible armor and reinforced ends
- Maximum body pressure
 - 1/2" -1 1/2" NPT 250 psig (17.3 bar)
 - 2" NPT 200 psig (13.8 bar)
 - 2 1/2" - 4" (65-100mm) Flanged 125 psig (8.6 bar)
- Maximum body temperature 406°F (208°C)

Series 1140 Regulators are cross ambient filled and may be used where ambient temperature exceeds the set control temperature. Series 1141 Regulators are *not* cross ambient filled and should not be used where ambient temperature exceeds the set control temperature.

How to Select

Standard Unit Orders

1. Determine body style based on type of service. See Selection Data Chart below.
2. For complete units provide the 6 digit part number and description in the following format.

1140 TMP REG – Body Code – Body Size – Temperature Range

For example, to order a 1 inch NPT, 02 body, 140° to 180°F (60-82°C) degree range unit with standard bulb and capillary, your order should have the following:

Hoffman Specialty Part Number – 400117 Description – 1140 TMP REG 02 1.0 140 – 180

Select a range with the operating set point in the mid or upper portion of the range.

3. Units may also be ordered as Body Bracket Assemblies with separate Actuators. This offers a large variety of applications while maintaining low stock.

For Series 1140 and 1141 Temperature Regulator selection and sizing information, please refer to "Selection Guidelines" on page 154.

For computer aided selection of steam and water regulators, please refer to the "Steam Specialty Component Selectors" on the Hoffman Specialty website, www.hoffmanspecialty.com or, for a stand-alone version of EPS-PLUS, contact your local Hoffman Specialty Representative (see back cover for listing).

⚠ WARNING



Series 1140 and 1141 Regulators fail open. An alarm or cut-off must be installed on applications where overheated water could cause harm. Failure to follow this warning could cause serious burns, personal injury, or death.

Selection Data

Body Code	Service		Body Design	Recommended Application
	Water	Steam		
01	X	X	Two way Heating	Low pressure up to 50 psi (3.5 bar) Differential (Composition Disc)
02	X	X	Two way Heating	Low & High pressure up to 125 psi (8.6 bar) Differential (SS Seat and Disc)
02R	X		Two way Cooling	
03		X	Two way Heating	High pressure up to 250 psi (17.3 bar) Differential (SS Seat and Disc)
05	X	X	Two way Heating	High pressure up to 250 psi (17.3 bar) Differential (Double Seated SS)
05R	X		Two way Cooling	
06	X		Three way Mixing or Diverting	Sliding piston three way valve

Series 1140 & 1141 Regulators (continued)

Dimensions in. (mm)

Body Type	Size in. (mm)	A	B	C	D
Union ends	½ NPT	4⅞ (124)	2 (51)	8 ¹³ / ₁₆ (224)	4 ⁵ / ₁₆ (110)
	¾ NPT	5⅜ (136)	2 ³ / ₁₆ (56)	9 (229)	4 ⁵ / ₁₆ (110)
	1 NPT	5⅞ (149)	2 ⁵ / ₁₆ (59)	9⅞ (232)	4 ⁵ / ₁₆ (110)
	1¼ NPT	6⅞ (175)	2 ⁵ / ₈ (67)	9 ⁷ / ₁₆ (240)	4 ⁵ / ₁₆ (110)
	1½ NPT	7½ (190)	2 ¹³ / ₁₆ (72)	9 ⁵ / ₈ (245)	4 ⁵ / ₁₆ (110)
	2 NPT	8½ (216)	3 ¹³ / ₁₆ (97)	10 (254)	4 ⁵ / ₁₆ (110)
Flanged 05 05R	2½ (65)	7 ⁵ / ₈ (124)	4 ⁹ / ₁₆ (116)	16 ⁵ / ₈ (422)	6 ³ / ₈ (162)
	3 (80)	8¾ (222)	5¼ (133)	16 ⁷ / ₈ (428)	6 ³ / ₈ (162)
	4 (100)	10¼ (260)	5 ⁷ / ₈ (149)	17 ³ / ₈ (441)	6 ³ / ₈ (162)
Flanged 06	2½ (65)	9 (229)	5 (127)	16 ³ / ₈ (416)	6 ³ / ₈ (162)
	3 (80)	9½ (241)	5¼ (133)	16 ³ / ₄ (425)	6 ³ / ₈ (162)
	4 (100)	10¼ (260)	6½ (165)	16 ¹ / ₈ (410)	6 ³ / ₈ (162)

Copper Bulb Size, Dimensions in. (mm)

Valve Size in. (mm)	Actuator		E	F	G NPT
	1140	1141			
½ - 2 NPT	X		7/8 (22)	18 (457)	1
½ - 2 NPT		X	5/8 (16)	11 (280)	1
2½ - 4 (65-100)	X		1⅞ (29)	36 (914)	1¼

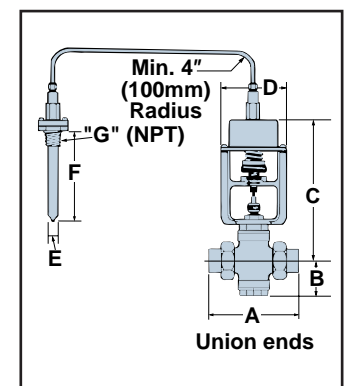
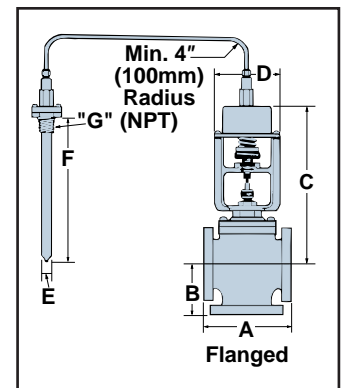
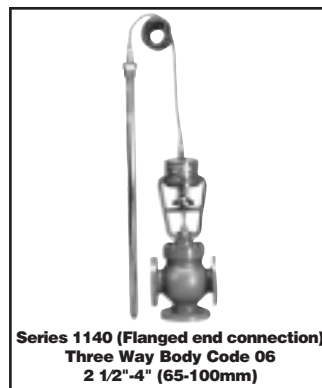
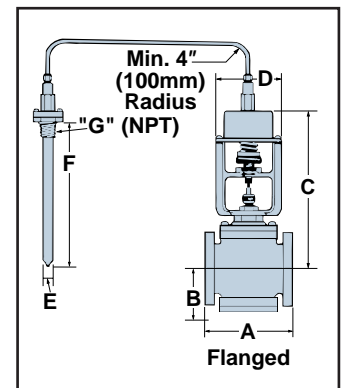
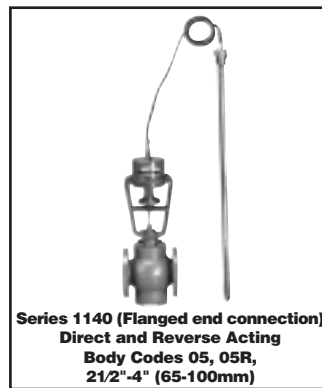
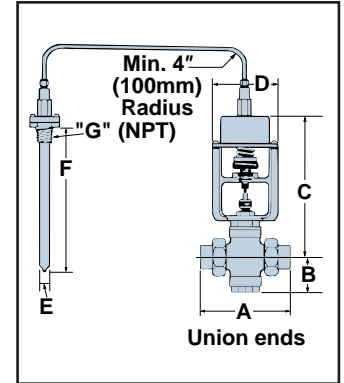
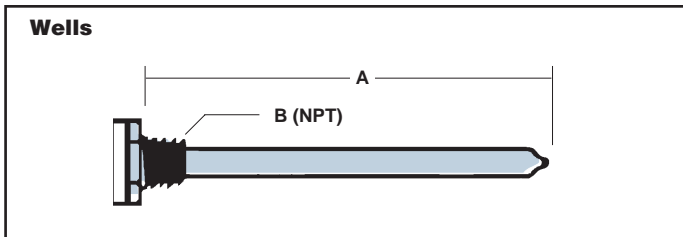
Wells, Dimensions in. (mm)

Series 1140

Regulator Bulb Size in. (mm)	A	B
7/8 x 18 (22 x 457)	18½ (470)	1
1½ x 36 (102 x 915)	36½ (927)	1¼

Series 1141

5/8 x 11 (16 x 280)	11½ (292)	1
---------------------	-----------	---



Thermostatic Temperature Regulators (continued)
Series 1140 & 1141 (continued)

Cv (Kv) Values

Body Code	Valve Size								
	NPT Valve Size, in.						Flanged Valve Size, in. (mm)		
	1/2 NPT	3/4 NPT	1 NPT	1 1/4 NPT	1 1/2 NPT	2 NPT	2 1/2 (65)	3 (88)	4 (100)
	Cv (Kv) Values								
01	2.7 (2.3)	5.7 (4.9)	11 (9.5)	16 (13.8)	20 (17.3)	25 (21.6)			
02 & 02R	2.7 (2.3)	5.7 (4.9)	11 (9.5)	16 (13.8)	20 (17.3)	25 (21.6)			
03		4.3 (3.7)	7.9 (6.8)	13 (11.3)	20 (17.3)	25 (21.6)			
05 & 05R		9.2 (8)	13 (11.3)	25 (21.6)	29 (25.1)	39 (33.7)	70 (60.6)	89 (77)	180 (155.7)
06	3.0 (2.6)	5.5 (4.8)	8.2 (7.1)	12.5 (10.8)	17.3 (15.0)	31.8 (27.5)	50 (43.2)	67 (58)	95 (82.2)

Thermostatic Temperature Regulators (continued)

Series 1140 & 1141 (continued)

Component Ordering Information

Body Bracket Assemblies

Part Number	Size in. (mm)	Body Code	Weight lbs. (kg)
401299	1/2 NPT	01	8 (3.6)
401300	3/4 NPT	01	10 (4.5)
401301	1 NPT	01	11 (5.0)
401302	1 1/4 NPT	01	12 (5.4)
401303	1 1/2 NPT	01	15 (6.8)
401304	2 NPT	01	21 (9.5)
401305	1/2 NPT	02	2 (.9)
401306	3/4 NPT	02	6 (2.7)
401307	1 NPT	02	6 (2.7)
401308	1 1/4 NPT	02	10 (4.5)
401309	1 1/2 NPT	02	10 (4.5)
401310	2 NPT	02	15 (6.8)
401312	1/2 NPT	02R	7 (3.2)
401311	3/4 NPT	02R	9 (4.1)
401313	1 NPT	02R	11 (5.0)
401314	1 1/4 NPT	02R	13 (5.9)
401317	1 1/2 NPT	02R	17 (7.7)
401320	2 NPT	02R	22 (10)
401321	3/4 NPT	03	10 (4.5)
401322	1 NPT	03	10 (4.5)
401323	1 1/4 NPT	03	12 (5.4)
401324	1 1/2 NPT	03	15 (6.8)
401325	2 NPT	03	18 (8.2)
401350	3/4 NPT	05	9 (4.1)
401353	1 NPT	05	9.3 (4.2)
401356	1 1/4 NPT	05	10 (4.5)
401359	1 1/2 NPT	05	14 (6.4)
401362	2 NPT	05	19 (8.6)
401365	2 1/2 (65)	05	64 (29)
401368	3 (80)	05	85 (39)
401371	4 (100)	05	115 (52)
401377	3/4 NPT	05R	9 (4.1)
401380	1 NPT	05R	11 (5.0)
401383	1 1/4 NPT	05R	12 (5.4)
401386	1 1/2 NPT	05R	15 (6.8)
401389	2 NPT	05R	21 (9.5)
401392	2 1/2 (65)	05R	74 (34)
401387	3 (80)	05R	80 (36)
401395	4 (100)	05R	115 (52)
401396	1/2 NPT	06	8 (3.6)
401397	3/4 NPT	06	9 (4.1)
401398	1 NPT	06	10 (4.5)
401399	1 1/4 NPT	06	12 (5.4)
401400	1 1/2 NPT	06	15 (6.8)
401401	2 NPT	06	21 (9.5)
401402	2 1/2 (65)	06	98 (44)
401403	3 (80)	06	98 (44)
401404	4 (100)	06	125 (57)

Series 1140 Actuators (Cross ambient filled)

Part Number	Temperature Range °F (°C)	Body Size		Body Code	Bulb Size (dia. x length)	Weight lbs. (kg)
		in. (mm)				
400558	40-80 (4.4-27)	1/2-2	NPT	All	7/8 x 18 (22 x 457)	7 (3.2)
400561	60-100 (16-38)	1/2-2	NPT	All	7/8 x 18 (22 x 457)	7 (3.2)
400562	80-120 (27-49)	1/2-2	NPT	All	7/8 x 18 (22 x 457)	7 (3.2)
400563	100-140 (38-60)	1/2-2	NPT	All	7/8 x 18 (22 x 457)	7 (3.2)
400567	120-160 (49-71)	1/2-2	NPT	All	7/8 x 18 (22 x 457)	7 (3.2)
400606	140-180 (60-82)	1/2-2	NPT	All	7/8 x 18 (22 x 457)	7 (3.2)
400607	160-200 (71-93)	1/2-2	NPT	All	7/8 x 18 (22 x 457)	7 (3.2)
400570	180-220 (82-104)	1/2-2	NPT	All	7/8 x 18 (22 x 457)	7 (3.2)
400428	40-80 (4.4-27)	2 1/2-4 (65-100)		05&06	1 1/8 x 36 (29 x 914)	20 (9.1)
400572	60-100 (16-38)	2 1/2-4 (65-100)		05&06	1 1/8 x 36 (29 x 914)	20 (9.1)
400573	80-120 (27-49)	2 1/2-4 (65-100)		05&06	1 1/8 x 36 (29 x 914)	20 (9.1)
400574	100-140 (38-60)	2 1/2-4 (65-100)		05&06	1 1/8 x 36 (29 x 914)	20 (9.1)
400575	120-160 (49-71)	2 1/2-4 (65-100)		05&06	1 1/8 x 36 (29 x 914)	20 (9.1)
400615	140-180 (60-82)	2 1/2-4 (65-100)		05&06	1 1/8 x 36 (29 x 914)	20 (9.1)
400616	160-200 (71-93)	2 1/2-4 (65-100)		05&06	1 1/8 x 36 (29 x 914)	20 (9.1)
400617	180-220 (82-104)	2 1/2-4 (65-100)		05&06	1 1/8 x 36 (29 x 914)	20 (9.1)

Series 1141 Actuators (Non-cross ambient filled)

Do not use where ambient temperature exceeds set temperature control.

Part Number	Temperature Range °F (°C)	Body Size In.	Body Code	Bulb Size (dia. X length)	Weight lbs (kg)
400980	120-160 (49-71)	1/2 -2 NPT	All	5/8 x 11 (16 x 280)	7 (32)
400981	140-180 (60-82)	1/2 -2 NPT	All	5/8 x 11 (16 x 280)	7 (32)
400982	160-200 (71-93)	1/2 -2 NPT	All	5/8 x 11 (16 x 280)	7 (32)
400983	180-220 (82-104)	1/2 -2 NPT	All	5/8 x 11 (16 x 280)	7 (32)

Note: All models have copper bulb and 10 ft. (3m) capillary.

Wells (Refer to the Actuator Ordering Information chart [above] to determine proper bulb size)

Part Number	Series	Material	Bulb Size (Dia. x Length)		Weight lbs. (kg)
			in. (mm)		
400445	1141	Copper	5/8 x 11 (16 x 280)		2 (.9)
401179	1140	Copper	7/8 x 18 (22 x 457)		2 (.9)
401181	1140	Copper	1 1/8 x 36 (29 x 914)		4 (1.8)
401180	1140	SS	7/8 x 18 (22 x 457)		3 (1.4)
405526	1140	SS	1 1/8 x 36 (29 x 914)		4 (1.8)

Thermostatic Temperature Regulators (continued) Series 1140 & 1141

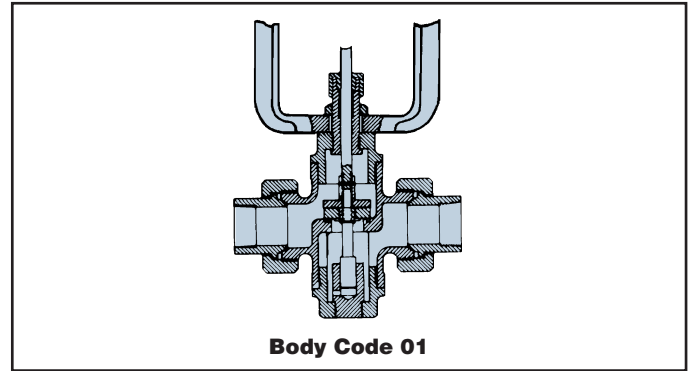
Direct Acting

The Series 1140 and 1141 Direct Acting Regulators are designed for commercial and institutional heating systems and equipment applications such as hot water tanks, vats,

steam tables, sterilizing equipment, instantaneous heaters, apartment buildings, or others that require steam temperature control.

Body Code 01

- Steam or Water Service—
for Positive dead end service
- Single Seat, Composition Disc, Brass Trim—
Brass integral seat
- Body—Brass body, union ends
- Maximum Differential Pressure:
 ½" NPT — 50 psi (3.5 bar)
 ¾" NPT — 50 psi (3.5 bar)
 1" NPT — 32 psi (2.2 bar)
 1¼" NPT — 20 psi (1.4 bar)
 1½" NPT — 16 psi (1.1 bar)
 2" NPT — 8 psi (.55 bar)



Ordering Information - (For Assembled Body Bracket and Actuators) Series 1140 Regulators (Cross ambient filled)

Size in.	Temperature Range								Weight (Approx.) lbs. (kg)
	40–80°F (4.4–27°C)	60–100°F (16–38°C)	80–120°F (27–49°C)	100–140°F (38–60°C)	120–160°F (49–71°C)	140–180°F (60–82°C)	160–200°F (71–93°C)	180–220°F (82–104°C)	
Part Number									
½ NPT	400000	400001	400409	400002	400003	400004	400005	400006	12 (5.4)
¾ NPT	400794	401165	400541	401037	400058	400059	400060	400061	13 (5.9)
1 NPT	400716	400025	400110	400373	400111	400112	400113	400114	15 (6.8)
1¼ NPT	401166	400028	400173	400671	400174	400175	400176	400184	16 (7.3)
1½ NPT	400601	400037	400687	401036	400227	400228	400229	400230	19 (8.6)
2 NPT	400923	401292	400097	400708	400287	400288	400038	400289	25 (11.4)

Series 1141 Regulators (Non-cross ambient filled)

Do not use where ambient temperature exceeds set temperature control.

NPT Size in.	Temperature Range				Weight (Approx.) lbs. (kg)
	120–160°F (49–71°C)	140–180°F (60–82°C)	160–200°F (71–93°C)	180–220°F (82–104°C)	
Part Number					
½ NPT	406000	406001	406002	406003	12 (5.4)
¾ NPT	406004	406005	406006	406007	13 (5.9)
1 NPT	406008	406009	406010	406011	15 (6.8)
1¼ NPT	406012	406013	406014	406015	16 (7.3)
1½ NPT	406016	406017	406018	406019	19 (8.6)
2 NPT	406020	406021	406022	406023	25 (11.4)

Series 1140 & 1141 Wells

Part Number	Series	Material	Bulb Size (dia x length in (mm))	Weight lbs. (kg)
400445	1141	Copper	5/8 x 11 (16 X 280)	2 (.9)
401179	1140	Copper	7/8 x 18 (22 X 457)	2 (.9)
401180	1140	316 SS	7/8 x 18 (22 X 457)	3 (1.4)

Series 1140 & 1141 (continued)
Capacities – Steam Flow, lbs./hr. (kg/hr.) vs Pressure Drop psi (bar)
Body Code 01 Direct Acting, Single Seated Valves

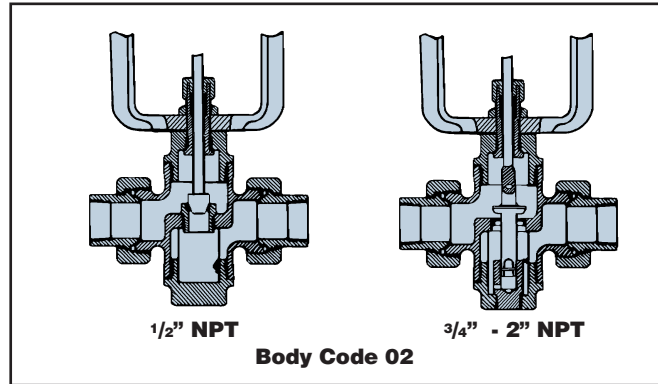
Size in.			1/2 NPT	3/4 NPT	1 NPT	1 1/4 NPT	1 1/2 NPT	2 NPT
Pressure psi (bar)			Steam Flow lbs./hr. (kg/hr.)					
Inlet	Outlet	Drop						
3 (.2)	2 (.14)	1 (.07)	33 (14)	70 (31)	134 (60)	195 (88)	244 (110)	305 (138)
	1 (.07)	2 (.14)	45 (20)	96 (43)	185 (83)	269 (122)	336 (152)	420 (190)
5 (.35)	3 (.21)	2 (.14)	48 (21)	101 (45)	196 (88)	285 (129)	356 (161)	445 (202)
	2 (.14)	3 (.21)	57 (25)	121 (54)	233 (105)	339 (153)	424 (192)	530 (240)
10 (.7)	8 (.56)	2 (.14)	54 (24)	115 (52)	222 (100)	323 (146)	404 (183)	505 (229)
	6 (.42)	4 (.28)	74 (33)	156 (70)	300 (136)	437 (198)	546 (247)	683 (310)
15 (1.0)	4 (.28)	6 (.42)	86 (39)	181 (82)	350 (158)	509 (231)	636 (288)	795 (360)
	12 (.83)	3 (.21)	72 (32)	153 (69)	295 (133)	429 (194)	536 (243)	
20 (1.4)	9 (.62)	6 (.42)	97 (44)	204 (92)	394 (178)	572 (259)	716 (325)	
	6 (.42)	9 (.62)	110 (49)	233 (105)	450 (204)	654 (296)	818 (371)	
25 (1.7)	16 (1.1)	4 (.28)	90 (40)	190 (86)	365 (165)	531 (241)		
	12 (.83)	8 (.56)	118 (53)	250 (113)	482 (258)	701 (318)		
30 (2.1)	8 (.56)	12 (.83)	134 (60)	282 (128)	545 (288)	792 (359)		
	20 (1.4)	5 (.34)	107 (48)	225 (102)	435 (197)			
40 (2.8)	15 (1.0)	10 (.69)	140 (63)	295 (133)	569 (258)			
	10 (.69)	15 (1.0)	156 (70)	329 (149)	635 (288)			
50 (3.5)	25 (1.7)	5 (.34)	114 (51)	241 (109)	465 (211)			
	20 (1.4)	10 (.69)	151 (68)	319 (144)	615 (279)			
50 (3.5)	15 (1.0)	15 (1.0)	171 (77)	361 (163)	696 (315)			
	35 (2.4)	5 (.34)	128 (58)	270 (122)				
50 (3.5)	30 (2.1)	10 (.70)	171 (77)	361 (163)				
	20 (1.4)	20 (1.4)	213 (96)	450 (204)				
50 (3.5)	40 (2.8)	10 (.69)	190 (86)	400 (28)				
	30 (2.1)	20 (1.4)	242 (109)	511 (35)				
50 (3.5)	20 (1.4)	30 (2.1)	261 (118)	552 (38)				

Thermostatic Temperature Regulators (continued)

Series 1140 & 1141 (continued)

Body Code 02

- Steam or Water Service—
Used for dead end shut-off where higher temperatures and pressures prevail
- Stainless Steel Single Seat and Trim—
1/2" —Removable stainless steel seat and cone disc
3/4" - 2" —Integral stainless steel seat ring and bottom guided seat disc
- Body—Brass body, union ends
- Maximum Differential Pressure:
1/2" NPT - 125 psi (8.6 bar) 1 1/4" NPT - 20 psi (1.4 bar)
3/4" NPT - 60 psi (4.1 bar) 1 1/2" NPT - 16 psi (1.1 bar)
1" NPT - 32 psi (2.2 bar) 2" NPT - 8 psi (.55 bar)



Ordering Information - (For Assembled Body Bracket and Actuators)

Series 1140 Regulators (Cross ambient filled)

Size in.	Temperature Range								Weight (Approx.) lbs. (kg)
	40–80°F (4.4–27°C)	60–100°F (16–38°C)	80–120°F (27–49°C)	100–140°F (38–60°C)	120–160°F (49–71°C)	140–180°F (60–82°C)	160–200°F (71–93°C)	180–220°F (82–104°C)	
Part Number									
1/2 NPT	400009	400010	400713	400715	400011	400012	400013	400014	12 (5.4)
3/4 NPT	400697	400064	400720	400721	400065	400066	400067	400068	13 (5.9)
1 NPT	400143	400115	400725	400726	400116	400117	400118	400119	15 (6.8)
1 1/4 NPT	400179	400029	400180	400731	400181	400031	400182	400032	16 (7.3)
1 1/2 NPT	400232	400735	400233	400741	400234	400235	400236	400237	19 (8.6)
2 NPT	401168	400040	400291	400341	400292	400293	400041	400043	25 (11.4)

Series 1141 Regulators (Non-cross ambient filled)

Do not use where ambient temperature exceeds set temperature control.

Size in. (mm)	Temperature Range				Weight (Approx.) lbs. (kg)
	120–160°F (49–71°C)	140–180°F (60–82°C)	160–200°F (71–93°C)	180–220°F (82–104°C)	
Part Number					
1/2 NPT	406024	406025	406026	406027	12 (5.4)
3/4 NPT	406028	406029	406030	406031	13 (5.9)
1 NPT	406032	406033	406034	406035	15 (6.8)
1 1/4 NPT	406036	406037	406038	406039	16 (7.3)
1 1/2 NPT	406040	406041	406042	406043	19 (8.6)
2 NPT	406044	406045	406046	406047	25 (11.4)

Series 1140 & 1141 Wells

Part Number	Series	Material	Bulb Size (dia x length in (mm))	Weight lbs. (kg)
400445	1141	Copper	5/8 x 11 (16 X 280)	2 (.9)
401179	1140	Copper	7/8 x 18 (22 X 457)	2 (.9)
401180	1140	316 SS	7/8 x 18 (22 X 457)	3 (1.4)

Series 1140 & 1141 (continued)
Capacities – Steam Flow, lbs./hr. (kg/hr.) vs Pressure Drop psi (bar)
Body Code 02 Direct Acting, Single Seated Valves

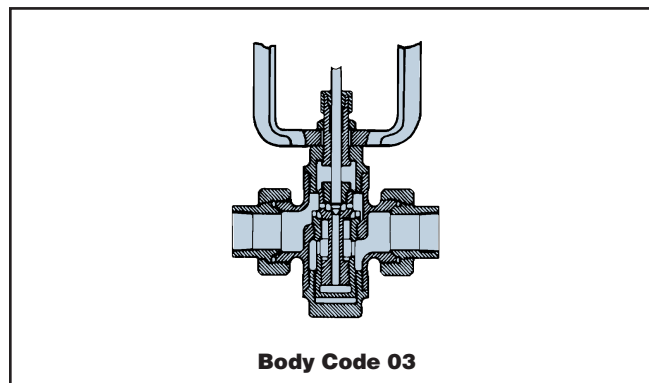
Size in.			½ NPT	¾ NPT	1 NPT	1¼ NPT	1½ NPT	2 NPT
Pressure psi (bar)			Steam Flow lbs./hr. (kg/hr.)					
Inlet	Outlet	Drop						
3 (.2)	2 (.14)	1 (.07)	33 (14)	70 (31)	134 (60)	195 (88)	244 (110)	305 (138)
	1 (.07)	2 (.14)	45 (20)	96 (43)	185 (83)	269 (122)	336 (152)	420 (190)
5 (.35)	3 (.21)	2 (.14)	48 (21)	101 (45)	196 (88)	285 (129)	356 (161)	445 (201)
	2 (.14)	3 (.21)	57 (25)	121 (54)	233 (105)	339 (153)	424 (192)	530 (240)
10 (.7)	8 (.56)	2 (.14)	54 (24)	115 (52)	222 (100)	323 (146)	404 (183)	505 (229)
	6 (.42)	4 (.28)	74 (33)	156 (70)	300 (136)	437 (198)	546 (247)	683 (309)
	4 (.28)	6 (.42)	86 (39)	181 (82)	350 (158)	509 (230)	636 (288)	795 (360)
15 (1.0)	12 (.83)	3 (.21)	72 (32)	153 (69)	295 (133)	429 (194)	536 (243)	
	9 (.62)	6 (.42)	97 (44)	204 (92)	394 (178)	572 (259)	716 (324)	
	6 (.42)	9 (.62)	110 (49)	233 (105)	450 (204)	654 (296)	818 (371)	
20 (1.4)	16 (1.1)	4 (.28)	90 (40)	190 (86)	365 (165)	531 (240)		
	12 (.83)	8 (.56)	118 (53)	250 (113)	482 (218)	701 (317)		
	8 (.56)	12 (.83)	134 (60)	282 (127)	545 (247)	792 (359)		
25 (1.7)	20 (1.4)	5 (.34)	107 (48)	225 (102)	435 (197)			
	15 (1.0)	10 (.69)	140 (63)	295 (133)	569 (258)			
	10 (.70)	15 (1.0)	156 (70)	329 (149)	635 (288)			
30 (2.1)	25 (1.7)	5 (.34)	114 (51)	241 (109)	465 (210)			
	20 (1.4)	10 (.69)	151 (68)	319 (144)	615 (278)			
	15 (1.0)	15 (1.0)	171 (77)	361 (163)	696 (315)			
40 (2.8)	35 (2.4)	5 (.34)	128 (58)	270 (122)				
	30 (2.1)	10 (.69)	171 (77)	361 (163)				
	20 (1.4)	20 (1.4)	213 (96)	450 (204)				
50 (3.5)	40 (2.8)	10 (.69)	190 (86)	400 (181)				
	30 (2.1)	20 (1.4)	242 (109)	511 (231)				
	20 (1.4)	30 (2.1)	261 (118)	552 (250)				
60 (4.1)	50 (3.5)	10 (.69)	206 (93)	435 (197)				
	40 (2.8)	20 (1.4)	268 (121)	565 (256)				
	30 (2.1)	30 (2.1)	297 (134)	627 (284)				
70 (4.8)	60 (4.2)	10 (.69)	221 (100)					
	50 (3.5)	20 (1.4)	292 (132)					
	40 (2.8)	30 (2.1)	329 (149)					
	30 (2.1)	40 (2.8)	343 (155)					
80 (5.5)	70 (4.9)	10 (.69)	236 (107)					
	60 (4.2)	20 (1.4)	313 (141)					
	50 (3.5)	30 (2.1)	356 (161)					
	40 (2.8)	40 (2.8)	378 (171)					
90 (6.2)	80 (5.6)	10 (.69)	249 (112)					
	70 (4.9)	20 (1.4)	332 (150)					
	60 (4.2)	30 (2.1)	383 (173)					
	30 (2.1)	40 (2.8)	413 (187)					
100 (6.9)	40 (2.8)	50 (3.5)	424 (192)					
	90 (6.3)	10 (.69)	262 (118)					
	80 (5.6)	20 (1.4)	354 (160)					
	70 (4.9)	30 (2.1)	408 (185)					
125 (8.6)	60 (4.2)	40 (2.8)	443 (200)					
	50 (3.5)	50 (3.5)	462 (209)					
	110 (7.6)	15 (1.0)	351 (159)					
	100 (6.9)	25 (1.7)	435 (197)					
	90 (6.3)	35 (2.4)	491 (222)					
80 (5.6)	45 (3.1)	529 (239)						
	70 (4.9)	55 (3.8)	554 (251)					
	60 (4.2)	65 (4.4)	564 (255)					

Thermostatic Temperature Regulators (continued)

Series 1140 & 1141 (continued)

Body Code 03

- Steam Service Only—
Used for dead end service up to maximum body steam pressure
- Stainless Steel Balanced Single Seat and Trim—
Removable stainless steel seat, disc, and balancing piston
- Body— $\frac{3}{4}$ " through 2" NPT—brass body, union ends
- Maximum Differential Pressure:
 $\frac{3}{4}$ " NPT — 250 psi (17.3 bar)
 1" NPT — 200 psi (13.8 bar)
 1 $\frac{1}{4}$ " NPT — 200 psi (13.8 bar)
 1 $\frac{1}{2}$ " NPT — 200 psi (13.8 bar)
 2" NPT — 150 psi (10.3 bar)



Ordering Information - (For Assembled Body Bracket and Actuators)

Series 1140 Regulators (Cross ambient filled)

Size in.	Temperature Range								Weight (Approx.) lbs. (kg)
	40–80°F (4.4–27°C)	60–100°F (16–38°C)	80–120°F (27–49°C)	100–140°F (38–60°C)	120–160°F (49–71°C)	140–180°F (60–82°C)	160–200°F (71–93°C)	180–220°F (82–104°C)	
Part Number									
$\frac{3}{4}$ NPT	400700	400083	400084	400755	400085	400086	400087	400088	13 (5.9)
1 NPT	400251	400129	400130	400160	400131	400132	400133	400134	15 (6.8)
1 $\frac{1}{4}$ NPT	400189	400190	400191	400592	400192	400193	400194	400196	16 (7.3)
1 $\frac{1}{2}$ NPT	400242	400244	400167	400784	400245	400246	400449	400248	19 (8.6)
2 NPT	400303	400304	400798	400800	400305	400306	400307	400308	25 (11.4)

Series 1141 Regulators (Non-cross ambient filled)

Do not use where ambient temperature exceeds set temperature control.

Size in.	Temperature Range				Weight (Approx.) lbs. (kg)
	120–160°F (49–71°C)	140–180°F (60–82°C)	160–200°F (71–93°C)	180–220°F (82–104°C)	
Part Number					
$\frac{3}{4}$ NPT	406072	406073	406074	406075	13 (5.9)
1 NPT	406076	406077	406078	406079	15 (6.8)
1 $\frac{1}{4}$ NPT	406080	406081	406082	406083	16 (7.3)
1 $\frac{1}{2}$ NPT	406084	406085	406086	406087	19 (8.6)
2 NPT	406088	406089	406090	406091	25 (11.4)

Series 1140 & 1141 Wells

Part Number	Series	Material	Bulb Size (dia x length in (mm))	Weight lbs. (kg)
400445	1141	Copper	$\frac{5}{8}$ x 11 (16 X 280)	2 (.9)
401179	1140	Copper	$\frac{7}{8}$ x 18 (22 X 457)	2 (.9)
401180	1140	316 SS	$\frac{7}{8}$ x 18 (22 X 457)	3 (1.4)

Series 1140 & 1141 (continued)

Body Code 03 Direct Acting, Balanced Single Seated Valves (Steam Service Only)

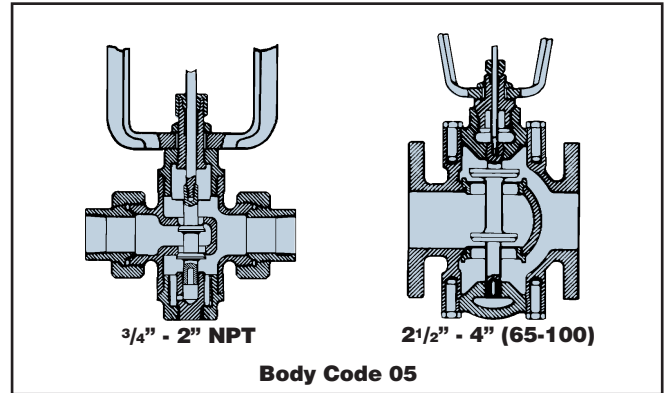
Size in.			¾ NPT	1 NPT	1¼ NPT	1½ NPT	2 NPT
Pressure psi (bar)			Steam Flow lbs./hr. (kg/hr.)				
Inlet	Outlet	Drop					
3 (.2)	2 (.14)	1 (.07)	52 (23)	96 (43)	159 (72)	244 (110)	305 (138)
	1 (.07)	2 (.14)	72 (32)	133 (60)	218 (98)	336 (152)	420 (190)
5 (.35)	3 (.21)	2 (.14)	77 (34)	141 (63)	231 (104)	356 (161)	445 (201)
	2 (.14)	3 (.21)	91 (41)	167 (75)	276 (125)	424 (192)	530 (240)
10 (.7)	8 (.56)	2 (.14)	87 (39)	160 (72)	263 (119)	404 (183)	505 (229)
	6 (.42)	4 (.28)	117 (53)	216 (97)	355 (161)	546 (247)	683 (309)
	4 (.28)	6 (.42)	138 (62)	251 (113)	413 (187)	636 (288)	795 (360)
15 (1.0)	12 (.83)	3 (.21)	115 (52)	212 (96)	348 (157)	536 (243)	670 (303)
	9 (.62)	6 (.42)	154 (69)	283 (128)	465 (210)	716 (324)	895 (405)
	6 (.42)	9 (.62)	176 (79)	323 (146)	532 (241)	818 (371)	1020 (462)
20 (1.4)	16 (1.1)	4 (.28)	143 (64)	262 (118)	432 (195)	664 (301)	830 (376)
	12 (.83)	8 (.56)	188 (85)	346 (156)	569 (258)	876 (397)	1100 (498)
	8 (.56)	12 (.83)	213 (96)	391 (177)	644 (292)	990 (449)	1240 (562)
25 (1.7)	20 (1.4)	5 (.34)	170 (77)	312 (141)	514 (233)	790 (358)	988 (448)
	15 (1.0)	10 (.69)	222 (100)	408 (185)	672 (304)	1030 (467)	1290 (585)
	10 (.69)	15 (1.0)	248 (112)	456 (206)	750 (340)	1150 (521)	1440 (653)
30 (2.1)	25 (1.7)	5 (.34)	182 (82)	334 (151)	550 (249)	846 (383)	1060 (480)
	20 (1.4)	10 (.69)	240 (108)	442 (200)	727 (329)	1120 (508)	1400 (635)
	15 (1.0)	15 (1.0)	272 (123)	500 (226)	823 (373)	1270 (576)	1580 (716)
40 (2.8)	35 (2.4)	5 (.34)	203 (92)	374 (169)	615 (278)	946 (429)	1180 (535)
	30 (2.1)	10 (.69)	273 (123)	501 (227)	824 (373)	1270 (576)	1590 (721)
	20 (1.4)	20 (1.4)	340 (154)	624 (283)	1030 (467)	1580 (716)	1980 (898)
50 (3.5)	40 (2.8)	10 (.69)	302 (136)	555 (251)	913 (414)	1400 (635)	1760 (798)
	30 (2.1)	20 (1.4)	386 (175)	709 (321)	1170 (530)	1790 (811)	2240 (1016)
	20 (1.4)	30 (2.1)	416 (188)	765 (347)	1260 (571)	1940 (879)	2420 (1097)
60 (4.1)	50 (3.5)	10 (.69)	328 (148)	603 (273)	992 (449)	1530 (694)	1910 (866)
	40 (2.8)	20 (1.4)	427 (193)	784 (355)	1290 (585)	1980 (898)	2480 (1124)
	30 (2.1)	30 (2.1)	473 (214)	869 (394)	1430 (648)	2200 (997)	2750 (1247)
70 (4.8)	60 (4.2)	10 (.69)	353 (160)	648 (293)	1070 (485)	1640 (743)	2050 (929)
	50 (3.5)	20 (1.4)	464 (210)	853 (386)	1400 (635)	2160 (979)	2700 (1224)
	40 (2.8)	30 (2.1)	525 (238)	964 (437)	1590 (721)	2440 (1106)	3050 (1383)
	30 (2.1)	40 (2.8)	546 (247)	1000 (453)	1650 (748)	2540 (1152)	3180 (1442)
80 (5.5)	70 (4.9)	10 (.69)	375 (170)	690 (312)	1130 (512)	1750 (793)	2180 (988)
	60 (4.2)	20 (1.4)	499 (266)	916 (415)	1510 (684)	2320 (1052)	2900 (1315)
	50 (3.5)	30 (2.1)	568 (257)	1040 (471)	1720 (780)	2640 (1197)	3300 (1496)
	40 (2.8)	40 (2.8)	602 (273)	1110 (503)	1820 (825)	2800 (1270)	3500 (1587)
90 (6.2)	80 (5.6)	10 (.69)	397 (180)	729 (330)	1200 (544)	1850 (839)	2310 (1047)
	70 (4.9)	20 (1.4)	529 (239)	972 (440)	1600 (725)	2460 (1115)	3080 (1397)
	60 (4.2)	30 (2.1)	611 (277)	1120 (508)	1850 (839)	2840 (1288)	3550 (1610)
	50 (3.5)	40 (2.8)	658 (298)	1210 (548)	1990 (902)	3060 (1388)	3830 (1737)
100 (6.9)	40 (2.8)	50 (3.5)	675 (306)	1240 (562)	2040 (925)	3140 (1424)	3930 (1782)
	90 (6.3)	10 (.69)	418 (189)	767 (347)	1260 (571)	1940 (879)	2430 (1102)
	80 (5.6)	20 (1.4)	563 (255)	1030 (467)	1700 (771)	2620 (1188)	3280 (1487)
	70 (4.9)	30 (2.1)	649 (294)	1190 (539)	1960 (889)	3020 (1369)	3780 (1714)
125 (8.6)	60 (4.2)	40 (2.8)	705 (319)	1300 (589)	2130 (966)	3280 (1487)	4100 (1859)
	50 (3.5)	50 (3.5)	735 (333)	1350 (612)	2220 (1006)	3420 (1551)	4280 (1941)
	110 (7.6)	15 (1.0)	559 (253)	1030 (467)	1690 (766)	2600 (1179)	3250 (1474)
	100 (6.9)	25 (1.7)	692 (313)	1270 (576)	2090 (948)	3220 (1460)	4030 (1828)
	90 (6.3)	35 (2.4)	783 (355)	1440 (653)	2370 (1075)	3640 (1651)	4550 (2063)
150 (10.3)	80 (5.6)	45 (3.1)	843 (382)	1550 (703)	2550 (1156)	3920 (1778)	4900 (2222)
	70 (4.9)	55 (3.8)	882 (400)	1620 (734)	2670 (1211)	4100 (1859)	5130 (2326)
	60 (4.2)	65 (4.5)	899 (407)	1650 (748)	2720 (1233)	4180 (1896)	5230 (2372)
	130 (8.9)	20 (1.4)	692 (313)	1270 (576)	2090 (948)	3220 (1460)	4030 (1828)
	120 (8.2)	30 (2.1)	821 (372)	1510 (684)	2480 (1124)	3820 (1732)	4780 (2168)
175 (12.1)	110 (7.6)	40 (2.8)	912 (413)	1670 (757)	2760 (1251)	4240 (1923)	5300 (2404)
	100 (6.9)	50 (3.5)	976 (442)	1790 (811)	2950 (1338)	4540 (2059)	5680 (2576)
	90 (6.3)	60 (4.2)	1020 (462)	1880 (852)	3090 (1401)	4760 (2159)	5950 (2698)
	80 (5.6)	70 (4.9)	1050 (476)	1930 (875)	3170 (1437)	4880 (2213)	6100 (2766)
	70 (4.9)	80 (5.6)	1060 (480)	1950 (884)	3210 (1456)	4940 (2240)	6180 (2803)
200 (13.8)	150 (10.3)	25 (1.7)	830 (376)	1520 (689)	2510 (1138)	3860 (1750)	
	130 (8.9)	45 (3.1)	1040 (471)	1910 (866)	3150 (1428)	4840 (2195)	
	110 (7.6)	65 (4.5)	1160 (526)	2130 (966)	3510 (1592)	5400 (2449)	
	90 (6.3)	85 (5.9)	1220 (553)	2240 (1016)	3680 (1669)	5660 (2567)	
250 (17.3)	80 (5.6)	95 (6.6)	1230 (557)	2250 (1020)	3710 (1682)	5700 (2585)	
	170 (11.8)	30 (2.1)	959 (435)	1760 (798)	2900 (1315)	4460 (2023)	
	150 (10.3)	50 (3.5)	1170 (530)	2150 (975)	3540 (1605)	5440 (2467)	
	130 (8.9)	70 (4.9)	1300 (589)	2390 (1084)	3930 (1782)	6040 (2739)	
	110 (7.6)	90 (6.3)	1370 (621)	2510 (1138)	4130 (1873)	6360 (2884)	
250 (17.3)	100 (6.9)	100 (6.9)	1380 (625)	2540 (1152)	4170 (1891)	6420 (2912)	
	210 (14.5)	40 (2.8)	1220 (553)				
	190 (13.1)	60 (4.2)	1430 (648)				
	170 (11.8)	80 (5.6)	1570 (712)				
	150 (10.3)	100 (6.9)	1660 (752)				
130 (8.9)	120 (8.2)	1700 (771)					
120 (8.2)	130 (8.9)	1710 (775)					

Thermostatic Temperature Regulators (continued)

Series 1140 & 1141 (continued)

Body Code 05

- Steam or Water Service –
For high steam pressure and/or high capacity applications.
- Stainless Steel Double Seat and Trim – Trim consists of seat rings and center guided plunger. Double seated valves have 1% allowable leakage rate.
- Body – 3/4" - 2" NPT – brass body, union ends
2 1/2" - 4" (65-100mm) – Iron body, flanged, faced and drilled for 125 lbs. (13.8 bar) standard
- Maximum Differential Pressure:
3/4" NPT – 250 psi (17.3 bar)
1" - 1 1/2" NPT – 200 psi (13.8 bar)
2" NPT – 150 psi (10.3 bar)
2 1/2" - 4" (65 - 100mm) – 125 psi (8.6 bar) (iron body, flanged)



Ordering Information - (For Assembled Body Bracket and Actuators)

Series 1140 Regulators (Cross ambient filled)

Size in. (mm)	Temperature Range								Weight (Approx.) lbs. (kg)
	40–80°F (4.4–27°C)	60–100°F (16–38°C)	80–120°F (27–49°C)	100–140°F (38–60°C)	120–160°F (49–71°C)	140–180°F (60–82°C)	160–200°F (71–93°C)	180–220°F (82–104°C)	
Part Number									
3/4 NPT	405552	401106	400662	400096	400099	400102	400325	400100	13 (5.9)
1 NPT	400829	400647	400476	400722	400159	400162	400690	400702	15 (6.8)
1 1/4 NPT	400201	400770	400843	400532	400204	400207	400210	400211	16 (7.3)
1 1/2 NPT	400264	400772	400852	400326	400267	400270	400723	400340	19 (8.6)
2 NPT	400809	400318	400321	400718	400324	400327	400330	400333	25 (11.4)
2 1/2 (65)	400711	400358	401169	400360	400363	400142	401018	400364	88 (40)
3 (80)	400699	400578	400377	400990	400390	400391	400393	400394	95 (43)
4 (100)	400529	400419	400691	400420	400423	400426	400686	400683	125 (57)

Series 1141 Regulators (Non-cross ambient filled)

Do not use where ambient temperature exceeds set temperature control.

Size in.	Temperature Range				Weight (Approx.) lbs. (kg)
	120–160°F (49–71°C)	140–180°F (60–82°C)	160–200°F (71–93°C)	180–220°F (82–104°C)	
Part Number					
3/4 NPT	406096	406097	406098	406099	13 (5.9)
1 NPT	406100	406101	406102	406103	15 (6.8)
1 1/4 NPT	406104	406105	406106	406107	16 (7.3)
1 1/2 NPT	406108	406109	406110	406111	19 (8.6)
2 NPT	406112	406113	406114	406115	25 (11.4)

Series 1140 & 1141 Wells

Part Number	Series	Material	Bulb Size (dia x length in (mm))	Weight lbs. (kg)
400445	1141	Copper	5/8 x 11 (16 x 280)	2 (.9)
401179	1140	Copper	7/8 x 18 (22 x 457)	2 (.9)
401181	1140	Copper	1 1/8 x 36 (29 x 914)	4 (1.8)
401180	1140	316 SS	7/8 x 18 (22 x 457)	3 (1.4)
405526	1140	316 SS	1 1/8 x 36 (29 x 914)	4 (1.8)

Series 1140 & 1141 (continued)

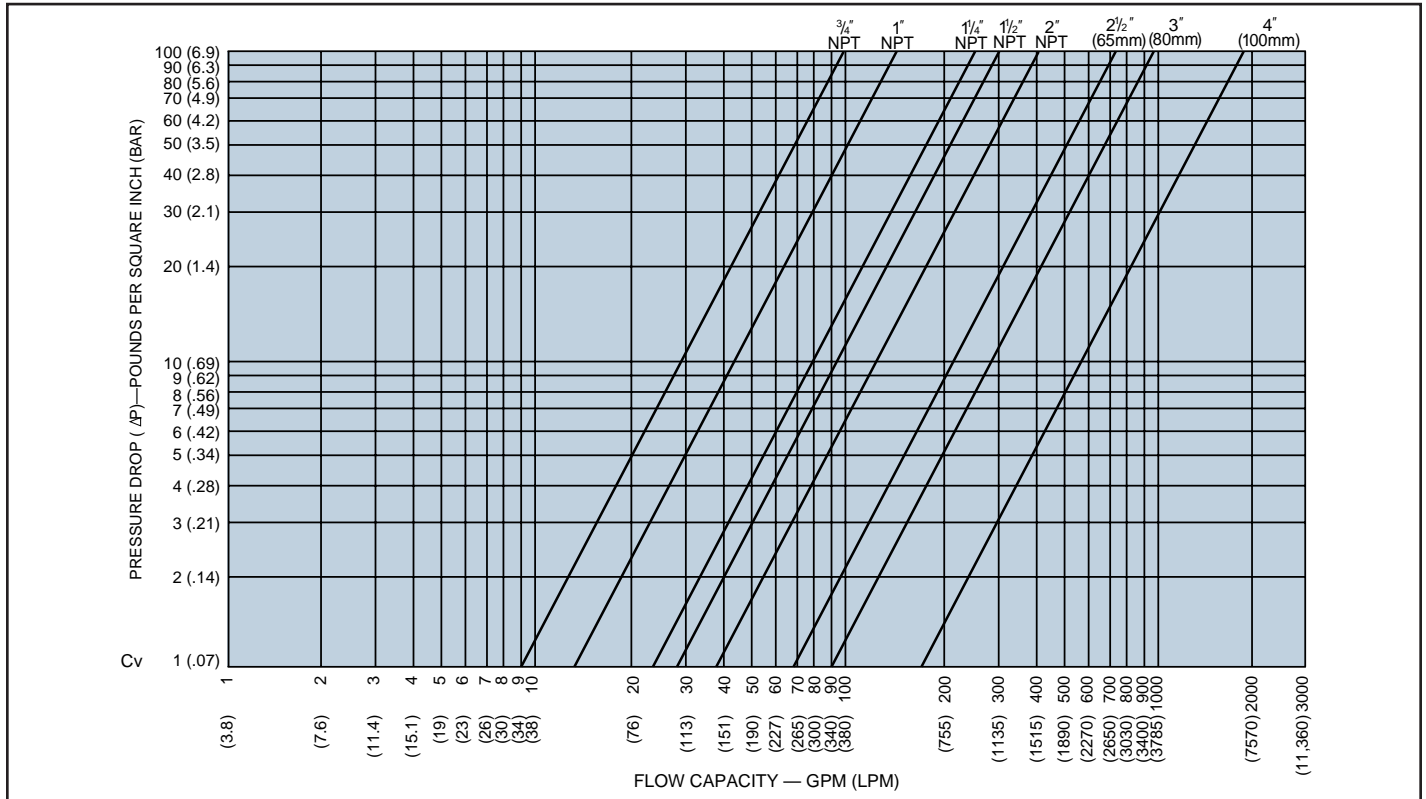
Capacities – Steam Flow, lbs./hr. (kg/hr.) vs Pressure Drop psi (bar)

Body Code 05 Direct Acting, Balanced Double Seated Valves

Size in.			3/4 NPT	1 NPT	1 1/4 NPT	1 1/2 NPT	2 NPT	2 1/2 (65)	3 (88)	4 (100)
Pressure psi (bar)			Steam Flow lbs./hr. (kg/hr.)							
Inlet	Outlet	Drop								
3 (.2)	2 (.14)	1 (.07)	112 (50)	159 (72)	305 (138)	354 (160)	476 (215)	854 (387)	1090 (494)	2200 (997)
	1 (.07)	2 (.14)	155 (70)	218 (98)	420 (190)	487 (220)	655 (297)	1180 (535)	1500 (680)	3020 (1369)
5 (.35)	3 (.21)	2 (.14)	164 (74)	231 (104)	445 (201)	516 (234)	694 (314)	1250 (567)	1590 (721)	3200 (1451)
	2 (.14)	3 (.21)	195 (88)	276 (125)	530 (240)	615 (278)	827 (375)	1480 (671)	1880 (852)	3820 (1732)
10 (.7)	8 (.56)	2 (.14)	186 (84)	263 (119)	505 (229)	586 (265)	785 (356)	1410 (639)	1800 (816)	3640 (1651)
	6 (.42)	4 (.28)	251 (113)	355 (161)	683 (309)	792 (359)	1060 (480)	1910 (866)	2430 (1102)	4910 (2227)
	4 (.28)	6 (.42)	293 (132)	413 (187)	795 (360)	922 (418)	1240 (562)	2230 (1011)	2830 (1283)	5720 (2594)
15 (1.0)	12 (.83)	3 (.21)	247 (112)	348 (157)	670 (303)	777 (352)	1050 (476)	1880 (852)	2390 (1084)	4820 (2186)
	9 (.62)	6 (.42)	329 (149)	465 (210)	895 (405)	1040 (471)	1400 (635)	2510 (1138)	3190 (1446)	6440 (2921)
	6 (.42)	9 (.62)	376 (170)	532 (241)	1020 (462)	1190 (539)	1600 (725)	2560 (1161)	3640 (1651)	7360 (3338)
20 (1.4)	16 (1.1)	4 (.28)	305 (138)	432 (195)	830 (376)	963 (436)	1290 (585)	2320 (1052)	2950 (1338)	5980 (2712)
	12 (.83)	8 (.56)	403 (182)	569 (258)	1100 (498)	1270 (576)	1710 (775)	3070 (1392)	3900 (1769)	7880 (3574)
	8 (.56)	12 (.83)	455 (206)	644 (292)	1240 (562)	1440 (653)	1930 (875)	3470 (1573)	4410 (2000)	8910 (4041)
25 (1.7)	20 (1.4)	5 (.35)	363 (164)	514 (233)	988 (448)	1150 (521)	1540 (698)	2770 (1256)	3520 (1596)	7110 (3225)
	15 (1.0)	10 (.7)	476 (215)	672 (304)	1290 (585)	1500 (680)	2020 (916)	3620 (1642)	4600 (2086)	9310 (4223)
	10 (.7)	15 (1.0)	531 (240)	750 (340)	1440 (653)	1670 (752)	2250 (1020)	4040 (1832)	5140 (2331)	10400 (4717)
30 (2.1)	25 (1.7)	5 (.35)	389 (176)	550 (249)	1060 (480)	1230 (557)	1650 (748)	2960 (1342)	3760 (1705)	7610 (3451)
	20 (1.4)	10 (.7)	515 (233)	727 (329)	1400 (635)	1620 (734)	2180 (988)	3910 (1773)	4980 (2258)	10100 (4581)
	15 (1.0)	15 (1.0)	582 (264)	823 (373)	1580 (716)	1940 (879)	2470 (1120)	4430 (2009)	5630 (2553)	11400 (5171)
40 (2.8)	35 (2.4)	5 (.35)	435 (197)	615 (278)	1180 (535)	1370 (621)	1840 (834)	3310 (1501)	4210 (1909)	8510 (3860)
	30 (2.1)	10 (.7)	583 (264)	824 (373)	1590 (721)	1840 (834)	2470 (1120)	4440 (2013)	5640 (2558)	11400 (5171)
	20 (1.4)	20 (1.4)	727 (329)	1080 (489)	1980 (898)	2290 (1038)	3080 (1397)	5530 (2508)	7030 (3188)	14200 (6441)
50 (3.5)	40 (2.8)	10 (.7)	646 (293)	913 (414)	1760 (798)	2040 (925)	2740 (1242)	4910 (2227)	6250 (2835)	12600 (5715)
	30 (2.1)	20 (1.4)	825 (374)	1170 (530)	2240 (1016)	2600 (1179)	3500 (1587)	6250 (2835)	7980 (3619)	16100 (7302)
	20 (1.4)	30 (2.1)	890 (403)	1260 (571)	2420 (1097)	2810 (1274)	3780 (1714)	6780 (3075)	8620 (3910)	17400 (7892)
60 (4.1)	50 (3.5)	10 (.7)	702 (318)	992 (449)	1910 (866)	2210 (1002)	2900 (1315)	5340 (2422)	6790 (3079)	13700 (6214)
	40 (2.8)	20 (1.4)	913 (414)	1290 (585)	2480 (1124)	2880 (1306)	3870 (1755)	6940 (3147)	8830 (4005)	17900 (8119)
	30 (2.1)	30 (2.1)	1010 (458)	1430 (648)	2750 (1247)	3190 (1446)	4290 (1945)	7700 (3492)	9790 (4440)	19800 (8981)
70 (4.8)	60 (4.2)	10 (.7)	754 (342)	1070 (485)	2050 (929)	2380 (1079)	3200 (1451)	5740 (2603)	7300 (3311)	14800 (6713)
	50 (3.5)	20 (1.4)	994 (450)	1400 (635)	2700 (1224)	3130 (1419)	4210 (1909)	7560 (3429)	9610 (4359)	19400 (8799)
	40 (2.8)	30 (2.1)	1120 (508)	1590 (721)	3050 (1383)	3540 (1605)	4760 (2159)	8540 (3873)	10900 (4944)	22000 (9979)
80 (5.5)	70 (4.8)	10 (.7)	1170 (530)	1650 (748)	3180 (1442)	3680 (1669)	4950 (2245)	8890 (4032)	11300 (5125)	22900 (10387)
	60 (4.2)	20 (1.4)	1210 (548)	1720 (780)	3300 (1496)	3830 (1737)	5150 (2336)	9240 (4191)	11700 (5307)	23800 (10795)
	40 (2.8)	40 (2.8)	1290 (585)	1820 (825)	3500 (1587)	4060 (1841)	5460 (2476)	9800 (4445)	12500 (5670)	25200 (11430)
90 (6.2)	80 (5.6)	10 (.7)	849 (385)	1200 (544)	2310 (1047)	2680 (1215)	3600 (1632)	6460 (2930)	8210 (3724)	16600 (7529)
	70 (4.9)	20 (1.4)	1130 (512)	1600 (725)	3080 (1397)	3570 (1619)	4800 (2177)	8610 (3905)	10900 (4944)	22100 (1024)
	60 (4.2)	30 (2.1)	1310 (594)	1850 (839)	3550 (1610)	4120 (1868)	5540 (2512)	9940 (4508)	12600 (5715)	25600 (11612)
	50 (3.5)	40 (2.8)	1410 (639)	1990 (902)	3830 (1737)	4440 (2013)	5970 (2708)	10700 (4835)	13600 (6168)	27500 (12474)
100 (6.9)	40 (2.8)	50 (3.5)	1440 (653)	2040 (925)	3930 (1782)	4550 (2063)	6120 (2776)	11000 (4989)	14000 (6350)	28300 (12836)
	90 (6.3)	10 (.7)	893 (405)	1260 (571)	2430 (1102)	2820 (1279)	3790 (1719)	6800 (3084)	8640 (3919)	17500 (7938)
	80 (5.6)	20 (1.4)	1210 (548)	1700 (771)	3280 (1487)	3800 (1723)	5110 (2317)	9170 (4159)	11700 (5307)	23600 (10704)
	70 (4.9)	30 (2.1)	1390 (630)	1960 (889)	3780 (1714)	4380 (1998)	5810 (2635)	10600 (4808)	13400 (6078)	27200 (12337)
125 (8.6)	60 (4.2)	40 (2.8)	1510 (684)	2130 (966)	4100 (1859)	4760 (2159)	6400 (2903)	11500 (5216)	14600 (6622)	29500 (13381)
	50 (3.5)	50 (3.5)	1570 (712)	2220 (1007)	4280 (1941)	4960 (2249)	6670 (3025)	12000 (5443)	15200 (6894)	30800 (13970)
	40 (2.8)	60 (4.2)	1680 (757)	2370 (1075)	4550 (2063)	5280 (2395)	7100 (3220)	12700 (5760)	16200 (7348)	32800 (14878)
	30 (2.1)	80 (5.6)	1800 (816)	2550 (1156)	4900 (2222)	5680 (2576)	7640 (3465)	13700 (6214)	17400 (7892)	35300 (16012)
	20 (1.4)	90 (6.3)	1890 (857)	2670 (1211)	5130 (2326)	5950 (2698)	8000 (3628)	14400 (6531)	18200 (8255)	36900 (16737)
150 (10.3)	60 (4.2)	65 (4.5)	1920 (870)	2720 (1233)	5230 (2372)	6060 (2748)	8150 (3696)	14600 (6622)	18600 (8436)	37600 (17055)
	50 (3.5)	80 (5.6)	2090 (948)	2950 (1338)	5650 (2562)	6580 (2984)	8850 (4014)			
	40 (2.8)	90 (6.3)	2190 (993)	3090 (1401)	5950 (2698)	6900 (3129)	9280 (4209)			
	30 (2.1)	100 (6.9)	2240 (1016)	3170 (1437)	6100 (2766)	7080 (3211)	9520 (4318)			
	20 (1.4)	110 (7.6)	2270 (1029)	3210 (1456)	6120 (2776)	7160 (3247)	9630 (4368)			
175 (12.1)	150 (10.3)	25 (1.7)	1780 (807)	2510 (1138)	4830 (2190)	5600 (2540)				
	130 (8.9)	45 (3.1)	2230 (1011)	3150 (1428)	6050 (2744)	7020 (3184)				
	110 (7.6)	65 (4.5)	2480 (1124)	3510 (1592)	6750 (3061)	7830 (3551)				
	90 (6.3)	85 (5.9)	2600 (1179)	3680 (1669)	7080 (3211)	8210 (3724)				
200 (13.8)	80 (5.6)	95 (6.6)	2620 (1188)	3710 (1682)	7130 (3234)	8270 (3751)				
	170 (11.8)	30 (2.1)	2080 (943)	2900 (1315)	5580 (2531)	6470 (2934)				
	150 (10.3)	50 (3.5)	2500 (1134)	3540 (1605)	6800 (3084)	7890 (3579)				
	130 (8.9)	70 (4.9)	2780 (1261)	3930 (1782)	7550 (3424)	8760 (3973)				
250 (17.3)	110 (7.6)	90 (6.3)	2930 (1329)	4130 (1873)	7950 (3606)	9220 (4182)				
	100 (6.9)	100 (6.9)	2950 (1338)	4170 (1891)	8030 (3642)	9310 (4223)				
	210 (14.5)	40 (2.8)	2610 (1183)							
	190 (13.1)	60 (4.2)	3050 (1383)							
250 (17.3)	170 (11.8)	80 (5.6)	3360 (1524)							
	150 (10.3)	100 (6.9)	3540 (1605)							
	130 (8.9)	120 (8.2)	3630 (1646)							
	120 (8.2)	130 (8.9)	3650 (1655)							

Thermostatic Temperature Regulators (continued)
Series 1140 & 1141 (continued)

Capacities — Water Flow vs Pressure Drop
Body Code 05 Direct Acting, Double Seated Valves



Regulators

Series 1140 & 1141 (continued)

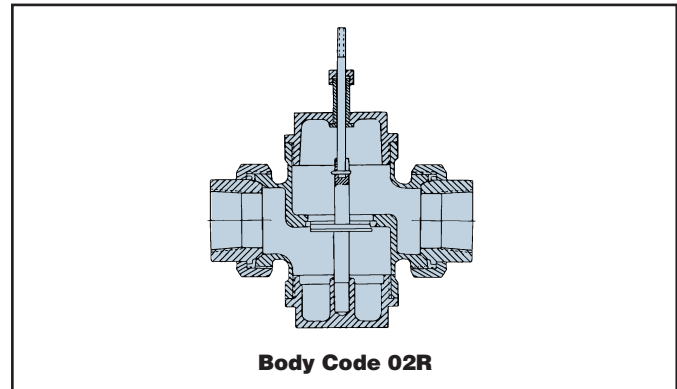
Reverse Acting

The Series 1140 and 1141 Reverse Acting Regulators are designed for commercial and institutional cooling

applications such as re-circulating lines, diesel engines, cooling towers, or others that require liquid temperature control.

Body Code 02R

- Steam or Water Service—
Used for general cooling service where dead end shut-off is required
- Stainless Steel Single Seat and Trim—
Trim consists of stainless steel seat ring and bottom guided disc
- Body—Brass body, union ends 3/4" - 2" NPT
- Maximum Differential Pressure:
 1/2" NPT – 125 psi (8.6 bar)
 3/4" NPT – 60 psi (4.1 bar)
 1" NPT – 32 psi (2.2 bar)
 1 1/4" NPT – 20 psi (1.4 bar)
 1 1/2" NPT – 16 psi (1.1 bar)
 2" NPT – 8 psi (.55 bar)



Ordering Information - (For Assembled Body Bracket and Actuator)

Series 1140 Regulators (Cross ambient filled)

Size in.	Temperature Range							Weight (Approx.) lbs. (kg)	
	40–80°F (4.4–27°C)	60–100°F (16–38°C)	80–120°F (27–49°C)	100–140°F (38–60°C)	120–160°F (49–71°C)	140–180°F (60–82°C)	160–200°F (71–93°C)		180–220°F (82–104°C)
	Part Number								
1/2 NPT	401171	400485	400527	400544	401006	400407	400077	401172	12 (5.4)
3/4 NPT	400075	400078	400319	400695	400080	401174	400698	400079	13 (5.9)
1 NPT	400125	400128	400109	400806	400758	401175	400604	400665	15 (6.8)
1 1/4 NPT	401177	401178	400186	400206	400187	400188	401184	401186	16 (7.3)
1 1/2 NPT	400238	400241	400590	400764	401187	400247	401189	401190	19 (8.6)
2 NPT	400905	400599	400136	400297	400374	400424	400776	401192	25 (11.4)

Series 1141 Regulators (Non-cross ambient filled)

Do not use where ambient temperature exceeds set temperature control.

Size in.	Temperature Range				Weight (Approx.) lbs. (kg)
	120–160°F (49–71°C)	140–180°F (60–82°C)	160–200°F (71–93°C)	180–220°F (82–104°C)	
	Part Number				
1/2 NPT	406048	406049	406050	406051	12 (5.4)
3/4 NPT	406052	406053	406054	406055	13 (5.9)
1 NPT	406056	406057	406058	406059	15 (6.8)
1 1/4 NPT	406060	406061	406062	406063	16 (7.3)
1 NPT	406064	406065	406066	406067	19 (8.6)
2 NPT	406068	406069	406070	406071	25 (11.4)

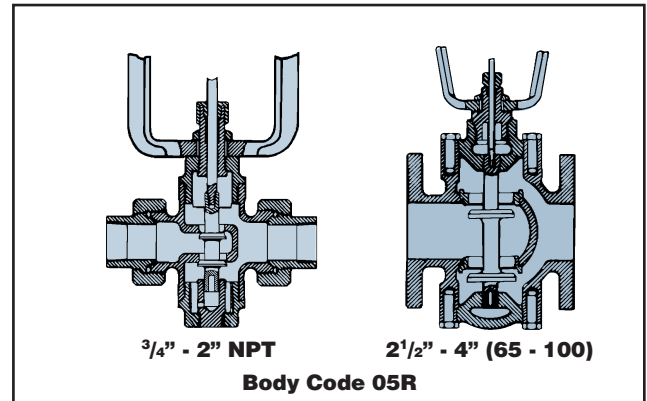
Series 1140 & 1141 Wells

Part Number	Series	Material	Bulb Size (dia x length in (mm))	Weight lbs. (kg)
400445	1141	Copper	5/8 x 11 (16 X 280)	2 (.9)
401179	1140	Copper	7/8 x 18 (22 X 457)	2 (.9)
401180	1140	316 SS	7/8 x 18 (22 X 457)	3 (1.4)

Thermostatic Temperature Regulators (continued)
Series 1140 & 1141 (continued)

Body Code 05R

- Steam or Water Service
- Stainless Steel Trim— center guided plunger
- Body— $\frac{3}{4}$ " - 2" NPT—brass body, union ends
 $2\frac{1}{2}$ " - 4" (65-100mm)—Iron body, flanged, faced and drilled for 125lbs. (13.8 bar) standard
- Maximum Differential Pressure:
 $\frac{3}{4}$ " NPT — 250 psi (17.3 bar)
 1" - 2" NPT — 200 psi (13.8 bar)
 $2\frac{1}{2}$ " - 4" (65 - 100mm) — 125 psi (8.6 bar) (iron body, flanged)



Ordering Information - (For Assembled Body Bracket and Actuator)

Series 1140 Regulators (Cross ambient filled)

Size in. (mm)	Temperature Range								Weight (Approx.) lbs. (kg)
	40–80°F (4.4–27°C)	60–100°F (16–38°C)	80–120°F (27–49°C)	100–140°F (38–60°C)	120–160°F (49–71°C)	140–180°F (60–82°C)	160–200°F (71–93°C)	180–220°F (82–104°C)	
Part Number									
$\frac{3}{4}$ NPT	400664	400106	400915	400107	400108	401193	400368	400104	13 (5.9)
1 NPT	405017	400171	400924	400446	400172	400652	400685	401195	15 (6.8)
$1\frac{1}{4}$ NPT	400481	400933	400219	400220	400222	401196	400225	400680	16 (7.3)
$1\frac{1}{2}$ NPT	400942	400539	400286	400282	400285	400913	400815	401198	19 (8.6)
2 NPT	400339	400342	400963	400969	400164	400469	401199	401201	25 (11.4)
$2\frac{1}{2}$ (65)	400959	400378	400375	403642	401021	401202	401204	401205	88 (40)
3 (80)	400799	400405	400408	401207	401208	401210	400763	401211	95 (43)
4 (100)	401223	400429	400593	401226	401228	400526	401229	401231	125 (57)

Series 1141 Regulators (Non-cross ambient filled)

Do not use where ambient temperature exceeds set temperature control.

Size in.	Temperature Range				Weight (Approx.) lbs. (kg)
	120–160°F (49–71°C)	140–180°F (60–82°C)	160–200°F (71–93°C)	180–220°F (82–104°C)	
Part Number					
$\frac{3}{4}$ NPT	406120	406121	406122	406123	13 (5.9)
1 NPT	406124	406125	406126	406127	15 (6.8)
$1\frac{1}{4}$ NPT	406128	406129	406130	406131	16 (7.3)
$1\frac{1}{2}$ NPT	406132	406133	406134	406135	19 (8.6)
2 NPT	406136	406137	406138	406139	25 (11.4)

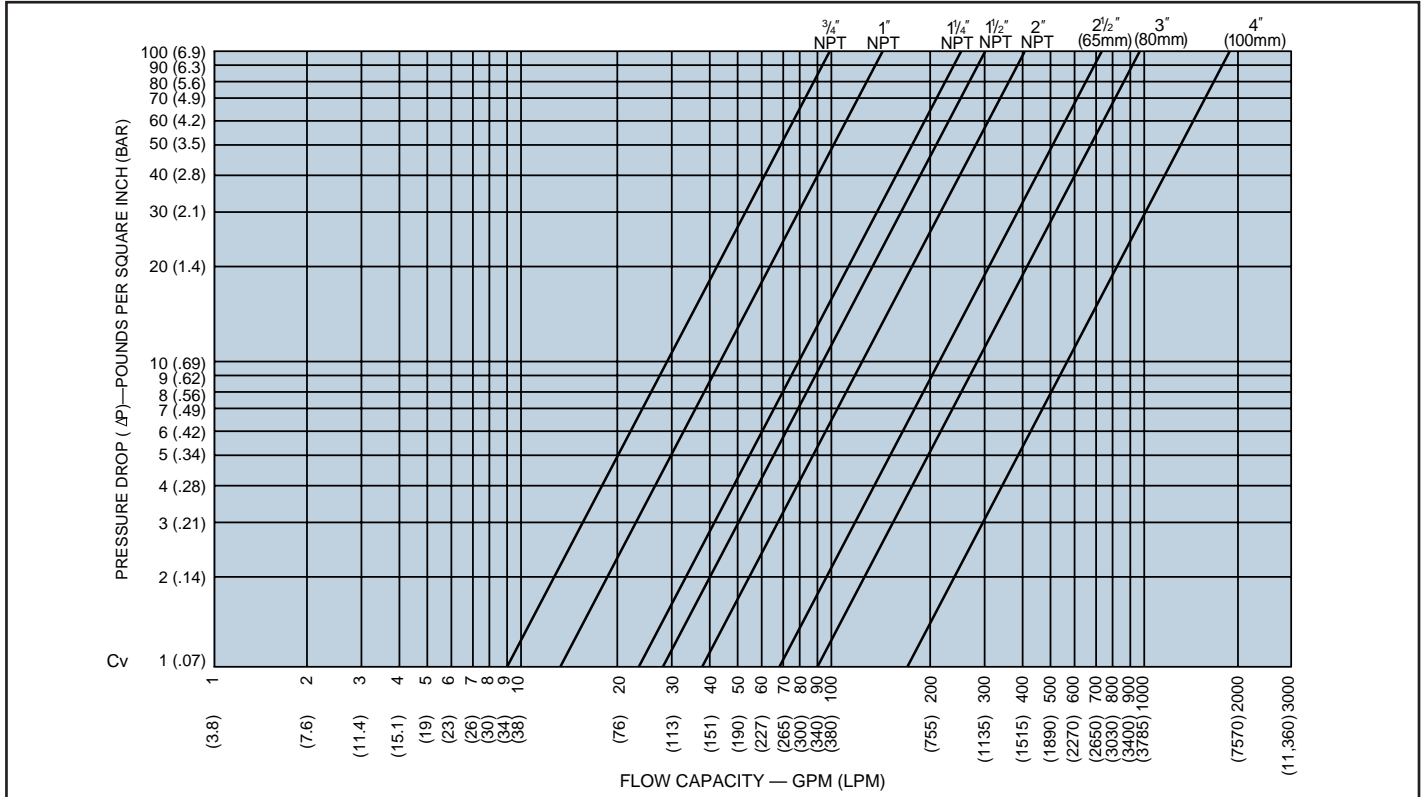
Series 1140 & 1141 Wells

Part Number	Series	Material	Bulb Size (dia x length in (mm))	Weight lbs. (kg)
400445	1141	Copper	$\frac{5}{8}$ x 11 (16 x 280)	2 (.9)
401179	1140	Copper	$\frac{7}{8}$ x 18 (22 x 457)	2 (.9)
401181	1140	Copper	$1\frac{1}{8}$ x 36 (29 x 914)	4 (1.8)
401180	1140	316 SS	$\frac{7}{8}$ x 18 (22 x 457)	3 (1.4)
405526	1140	316 SS	$1\frac{1}{8}$ x 36 (29 x 914)	4 (1.8)

Regulators

Series 1140 & 1141 (continued)

Capacities — Water Flow vs Pressure Drop
Body Code 05R Reverse Acting, Double Seated Valves



Thermostatic Temperature Regulators (continued) Series 1140 & 1141 (continued)

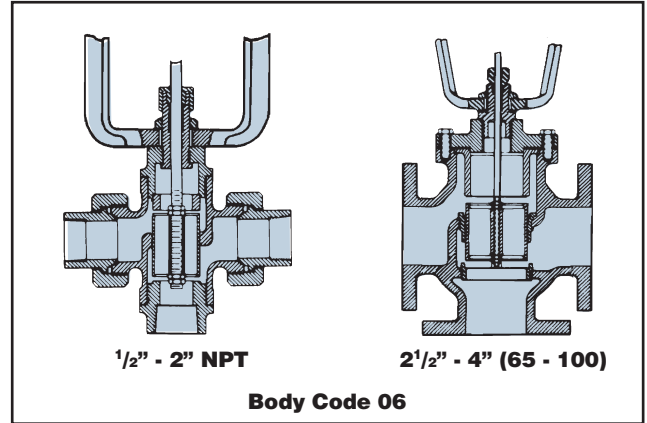
Three Way

The Series 1140 and 1141 Three Way Regulators are designed for commercial and institutional applications

such as boilers, engines, or others that require mixing, tempering, or diverting liquids at a set temperature.

Body Code 06

- Water Service Only
- Nickel Plated Piston, Brass Trim—
Sliding piston
- Body— $\frac{1}{2}$ " - 2" NPT—brass body, union ends, bottom connection screwed
 $2\frac{1}{2}$ " - 4" (65-100mm)—iron body, flanged, faced and drilled for 125 lbs. (13.8 bar) standard
- Maximum Pressure 250 psig (17.3 bar)
- Maximum Differential Pressure:
 $\frac{1}{2}$ " - $\frac{3}{4}$ " NPT — 250 psi (17.3 bar)
1" - 2" NPT — 200 psi (13.8 bar)
 $2\frac{1}{2}$ " - 4" (65 - 100mm) — 125 psi (8.6 bar)
- Maximum Body Temperature — 350°F (177°C)



Ordering Information - (For Assembled Body Bracket and Actuator)

Series 1140 Regulators (Cross ambient filled)

Size in. (mm)	Temperature Range								Weight (Approx.) lbs. (kg)
	40–80°F (4.4–27°C)	60–100°F (16–38°C)	80–120°F (27–49°C)	100–140°F (38–60°C)	120–160°F (49–71°C)	140–180°F (60–82°C)	160–200°F (71–93°C)	180–220°F (82–104°C)	
Part Number									
$\frac{1}{2}$ NPT	400030	400676	400803	400523	400033	400036	400039	401232	12 (5.4)
$\frac{3}{4}$ NPT	400517	400091	400092	400361	400093	400094	400095	400023	13 (5.9)
1 NPT	400148	400149	400871	400872	400150	400151	400152	400026	15 (6.8)
$1\frac{1}{4}$ NPT	400876	400199	400877	400878	400200	400202	400034	400035	16 (7.3)
$1\frac{1}{2}$ NPT	400259	400260	400049	400883	400261	400262	402266	400263	19 (8.6)
2 NPT	400310	400311	400312	400376	400313	400314	400315	400044	25 (11.4)
$2\frac{1}{2}$ (65)	400166	400352	400353	401000	400354	400355	400046	400356	88 (40)
3 (80)	400410	400385	400479	401011	400386	400387	400388	400052	95 (43)
4 (100)	400414	400415	400416	401019	400417	400074	400418	400076	125 (57)

Series 1141 Regulators (Non-cross ambient filled)

Do not use where ambient temperature exceeds set temperature control.

Size in.	Temperature Range				Weight (Approx.) lbs. (kg)
	120–160°F (49–71°C)	140–180°F (60–82°C)	160–200°F (71–93°C)	180–220°F (82–104°C)	
Part Number					
$\frac{1}{2}$ NPT	406140	406141	406142	406143	12 (5.4)
$\frac{3}{4}$ NPT	406144	406145	406146	406147	13 (5.9)
1 NPT	406148	406149	406150	406151	15 (6.8)
$1\frac{1}{4}$ NPT	406152	406153	406154	406155	16 (7.3)
$1\frac{1}{2}$ NPT	406156	406157	406158	406159	19 (8.6)
2 NPT	406160	406161	406162	406163	25 (11.4)

Series 1140 & 1141 Wells

Part Number	Series	Material	Bulb Size (dia x length in (mm))	Weight lbs. (kg)
400445	1141	Copper	$\frac{5}{8}$ x 11 (16 x 280)	2 (.9)
401179	1140	Copper	$\frac{7}{8}$ x 18 (22 x 457)	2 (.9)
401181	1140	Copper	$1\frac{1}{8}$ x 36 (29 x 914)	4 (1.8)
401180	1140	316 SS	$\frac{7}{8}$ x 18 (22 x 457)	3 (1.4)
405526	1140	316 SS	$1\frac{1}{8}$ x 36 (29 x 914)	4 (1.8)

Series 1140 & 1141 (continued)

Capacities — Water Flow vs Pressure Drop

Body Code 06 Three Way Valves

