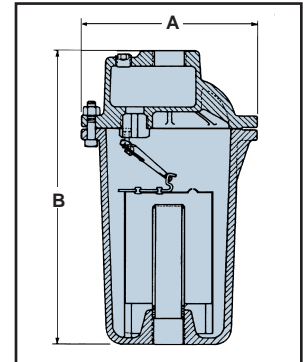


## Inverted Bucket Steam Traps (continued)

### Series B BEAR TRAP®

#### Series B6

- Available in sizes 1½" and 2" NPT
- Maximum capacity 20,000 lbs./hr. (9072 kg/hr.)
- Meets Mil specification WW-T-696-E Type I, Style B, Class 1-7
- Completely drains condensate and air at saturation temperature
- Stainless steel internal components
- Resistant to moderate water hammer
- Bottom inlet and top outlet
- Internal parts mounted on cover for easy service
- Maximum temperature 406°F (208°C)
- Maximum pressure 250 psig (17.3 bar)



#### Dimensions, in. (mm)

Series	Size in.	A	B
B6	1½, 2	10 <sup>3</sup> / <sub>16</sub> (258)	17 (432)

#### Materials of Construction

Part	Specifications
Body and cover	Cast Iron 30,000 psi tensile
Valve Pin and Seat	Stainless Steel (Hardened)
Bucket	Stainless Steel
Lever Assembly	Stainless Steel
Cover Bolts	Grade 5 Steel

#### Ordering Information

Model Number	Size in.	NPT Part Number	Seat Differential Pressure Rating psi (bar)	Body Design Pressure psi (bar)	Weight lbs. (kg)
B6025A-6	1½	404690	25 (1.7)	250 (17.3)	80 (36)
B6025A-8	2	404694	25 (1.7)	250 (17.3)	80 (36)
B6040A-6	1½	404691	40 (2.8)	250 (17.3)	80 (36)
B6040A-8	2	404695	40 (2.8)	250 (17.3)	80 (36)
B6125A-6	1½	404692	125 (8.6)	250 (17.3)	80 (36)
B6125A-8	2	404696	125 (8.6)	250 (17.3)	80 (36)
B6250A-6	1½	404693	250 (17.3)	250 (17.3)	80 (36)
B6250A-8	2	404697	250 (17.3)	250 (17.3)	80 (36)

**Series B BEAR TRAP®**

**Capacities (Gross Ratings)**

Series	Orifice Size In (mm)	Seat Pressure psi (bar)	Pressure Differential Pounds Per Square Inch (bar)																	
			1/2 (.035)	1 (0.07)	2 (0.14)	5 (0.35)	10 (0.69)	15 (1.0)	25 (1.69)	30 (2.1)	40 (2.8)	50 (3.5)	60 (4.2)	75 (5.2)	100 (6.9)	125 (8.6)	150 (10.4)	200 (13.8)	250 (17)	
			Capacity lbs./hr. (kg/hr.)																	
B6	.875 (22.2)	25 (1.69)	3930 (1784)	5250 (2383)	7330 (3327)	11000 (4994)	14100 (6396)	16300 (7394)	20000 (9072)											
	.750 (19.0)	40 (2.8)	3100 (1406)	4160 (1887)	5400 (2449)	7600 (3447)	9000 (4082)	12900 (5851)	16000 (7258)	17300 (7847)	20000 (9080)									
	.500 (12.7)	125 (8.6)	1720 (780)	2280 (1035)	3200 (1452)	4800 (2179)	6500 (2951)	7800 (3541)	9700 (4400)	10600 (4812)	12000 (5448)	13800 (6265)	14300 (6492)	15300 (6946)	18000 (8172)	20000 (9080)				
	.375 (9.53)	250 (17)	1180 (535)	1570 (712)	2200 (998)	3300 (1498)	4500 (2043)	5400 (2451)	6800 (3084)	7400 (3359)	8400 (3813)	9300 (4222)	10200 (4630)	11000 (4994)	12800 (5811)	14000 (6356)	15300 (6946)	17500 (7945)	19000 (8626)	