



- 10 ¼" diameter
- Explosion proof model available
- 7 diaphragm material options
- Heavy duty

**Model "A"**



- 8" diameter
- Cast aluminum housing
- Neoprene or S.S. diaphragm material
- Medium duty

**Auto-Bin-Dicator®**



- 5 ¾" diameter
- 2 diaphragm material options
- Light duty

**Bantam**

**Features and Benefits**

**Simple and Rugged Construction**

Can be mounted outside the bin for lower installation costs

**Simple Operating Mechanism**

Makes entire unit readily accessible for inspection, resulting in lower maintenance costs

**Many Variations Available**

For use in a wide range of dry materials and conditions of temperature, corrosion and moisture

**SPDT Switch**

No need to power electronics

The original electromechanical point level switch, Bin-Dicator® diaphragm-type level controls were the first to enjoy general usage in the industry. Bin-Dicator® controls eliminate bin overflow, empty bins, clogged conveyors, choked elevators and resulting damage and waste.

The Bin-Dicator® control is a pressure actuated switch for use with free flowing bulk materials at atmospheric pressures. Actuation of the switch is the result of pressure exerted by the bulk material against the diaphragm assembly. De-actuation or switch release is a result of the bulk material clearing away from the diaphragm.

**How to Order**

**Model "A"**

Diaphragm Material	General Purpose One Switch 185° F (85° C)	General Purpose Two Switches 185° F (85° C)	Explosion-Proof One Switch 185° (85° C)	General Purpose Mercury Switch 185° F (85° C)
Neoprene Rubber (light)	A-1-N LAA101001	A-2-N LAA101029	A-EX-N LAA101085	A-MN LAA101200
Neoprene Rubber (medium)	A-1-MN LAA101002	A-2-MN LAA101030	A-EX-MN LAA101086	A-MMN LAA101201
Neoprene Rubber (heavy)	A-1-HN LAA101003	A-2-HN LAA101031	A-EX-HN LAA101087	A-MHN LAA101202
Canvas	A-1-C LAA101000	A-2-C LAA101044	A-EX-C LAA101084	A-MC LAA101242
Fiberglass	A-1-F LAA101008	A-2-F LAA101036	A-EX-F LAA101092	A-MF LAA101240
Silicone Rubber (heavy)	A-1-HS LAA101005	A-2-HS LAA101033	A-EX1-HS LAA101089	A-MHS LAA101203
Teflon® coated Fiberglass (heavy)	A-1-HT LAA101007	A-2-HT LAA101035	A-EX-HT LAA101091	A-MHT LAA101204

**IMPORTANT:** Diaphragm and high temperature switches must be compatible in ratings. Specify high temperature switches, if required.

**Auto-Bin-Dicator®**

Diaphragm Material	Weather-proof	Explosion-proof
Neoprene	AB-R LAD101701	NA
T-302 Stainless Steel	AB-S LAD101700	ABX-S LAD101716

**Bantam**

Diaphragm Material	General Purpose	
	One Switch	Two Switch
Neoprene (light)	B-1-N LAB101800	B-2-N LAB101936
Teflon® Neoprene	B-1-LT LAB101808	B-2-LT LAB101944

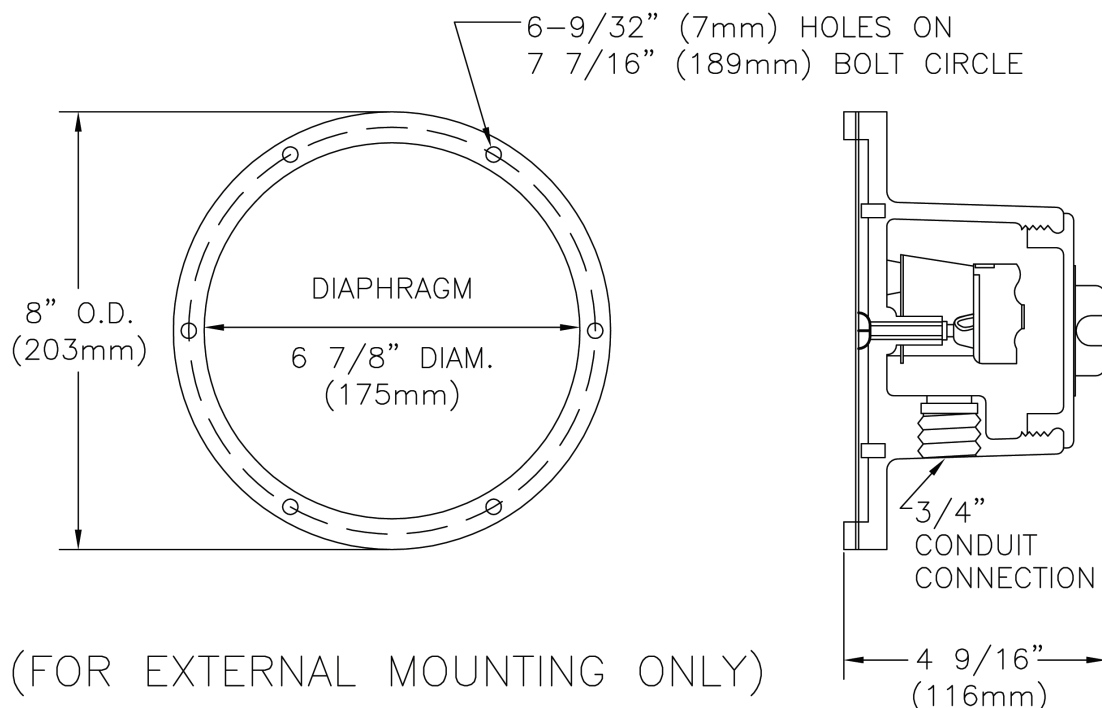
Specify if all metal parts exposed within the bin need to be stainless steel.

# Specifications

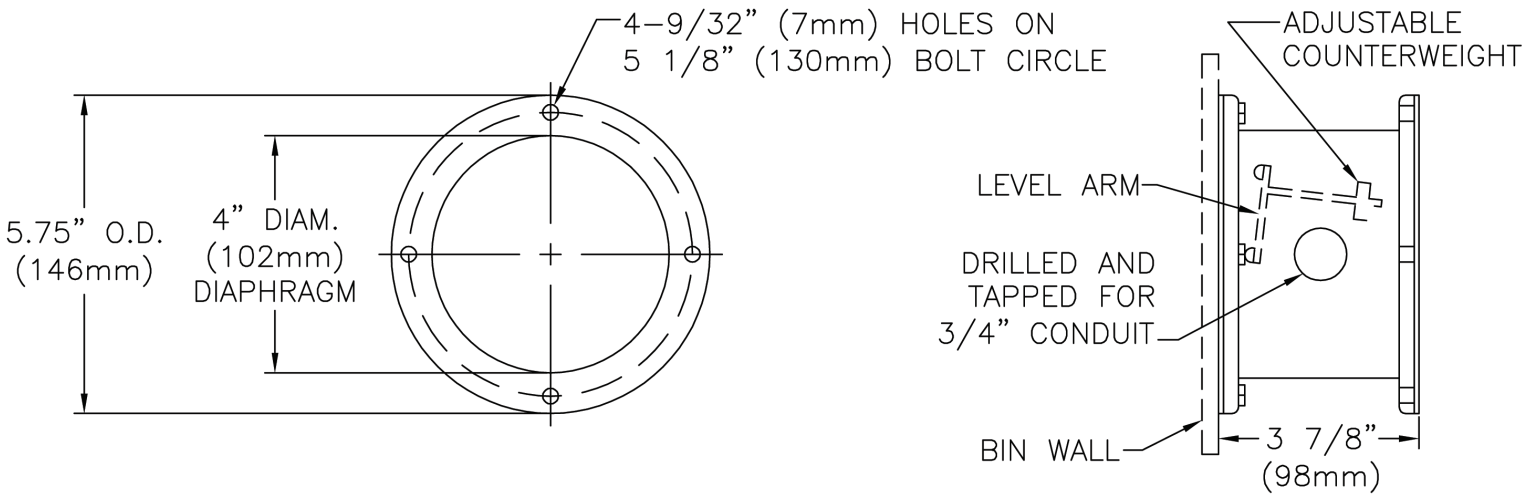
Frame:	Polyester-coated aluminum casting
Cover:	Polyester-coated aluminum casting (Auto & Bantam) Standard-durable ABS white plastic (Model "A")
Diaphragms:	Neoprene, stainless steel (Auto) Aluminum (Bantam) Steel, galvanized back plate; Steel, polyester washer (Model "A")
Gasket:	Fiber (Model "A") Rubber (Bantam)
Snap-action Switch:	Single pole, double throw (Auto) General purpose (Bantam & Model "A") Explosion-proof (Model "A") Mercury (Model "A")
Switch Temperature:	185° F (85° C) (standard) (Auto & Bantam) 250° F (121° C) (optional), 800° F (427° C) (optional) (Auto & Model "A")
Construction:	Weather-proof or explosion-proof (Auto)
Shipping Weight:	Aluminum, 8 lbs. (Auto & Bantam) Aluminum, 10 lbs. (Model "A")
Mounting:	Can be mounted on underslopes up to 45° (Bantam & Model "A")
Approvals:	Auto: UL, CSA listed for weather-proof, non-hazardous; UL, CSA listed for explosion-proof in hazardous Class I, Groups C & D and Class II, Groups E, F & G.  Model A: UL listed for hazardous Class I, Division I, Groups C & D and Class II, Division I, Groups E, F & G.

## Dimensions

### Auto-Bin-Dicator®

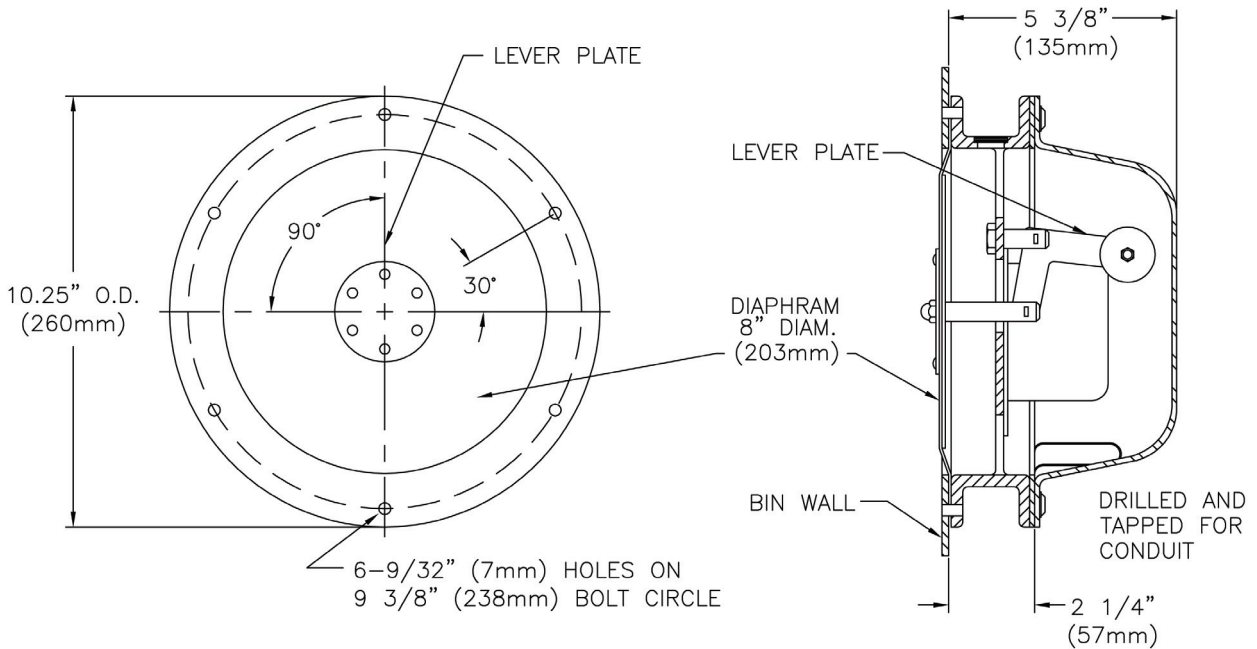


**Bantam**



(FOR EXTERNAL MOUNTING ONLY)

**Model "A"**



## Snap-Action Switch Specifications

General Purpose:	SPDT; may be wired for normally open (NO) or normally closed (NC) operation
AC rating:	15 amp @ 125, 250 or 480 VAC
DC rating:	½ amp @ 125 VDC; ¼ amp @ 250 VDC
HP Rating:	⅛ HP @ 125 VAC
Explosion-proof:	Single-pole, double-throw or double-pole, double throw

## General Guide to Diaphragm Selection

Diaphragm Material	Max. Temp	Product Wt. Cu./Ft.	Application Remarks
Neoprene Rubber (light)	170° F (77° C)	10-40	Highest sensitivity, abrasion resistant
Neoprene Rubber (medium)	170° F (77° C)	30-100	Strong, resists abrasion, low temperatures
Neoprene Rubber (heavy)	170° F (77° C)	100-350	Strong, resists abrasion, low temperatures
Canvas	200° F (93° C)	10-60	Powders only
Fiberglass	1000° F (538° C)	25-100	Very high temp-see switch temperatures
T-302 Stainless Steel	800° F (427° C)	30 Min.	Auto-Bin-Dicator® only
Silicone Rubber (heavy)	450° F (232° C)	50-150	Extreme low to medium-high temperature
Teflon® coated Fiberglass (heavy)	400° F (204° C)	50-150	Corrosion resistant, medium-high temperatures

**SPECIAL NOTE:** For high temperature applications, special switches may be required in addition to proper diaphragm selection. Please consult factory.



150 Venture Boulevard · Spartanburg, SC 29306  
 Tel: (800) 778-9242 · (864) 574-8060  
 Fax: (864) 574-8063 E-mail: sales@bindicator.com  
[www.bindicator.com](http://www.bindicator.com)

Teflon® is a registered trademark of E.I. du Pont.  
 2006 All rights reserved.  
 All data subject to change without notice.

**venture**  
 MEASUREMENT

LAA 180070 Rev. D