



**UNITED BRASS WORKS, INC.**  
 714 S. Main St., Randleman, NC 27317  
 Tel: 800-334-3035 Fax: 800-498-4696 www.ubw.com



## Model 3050 1/2" Float Valve

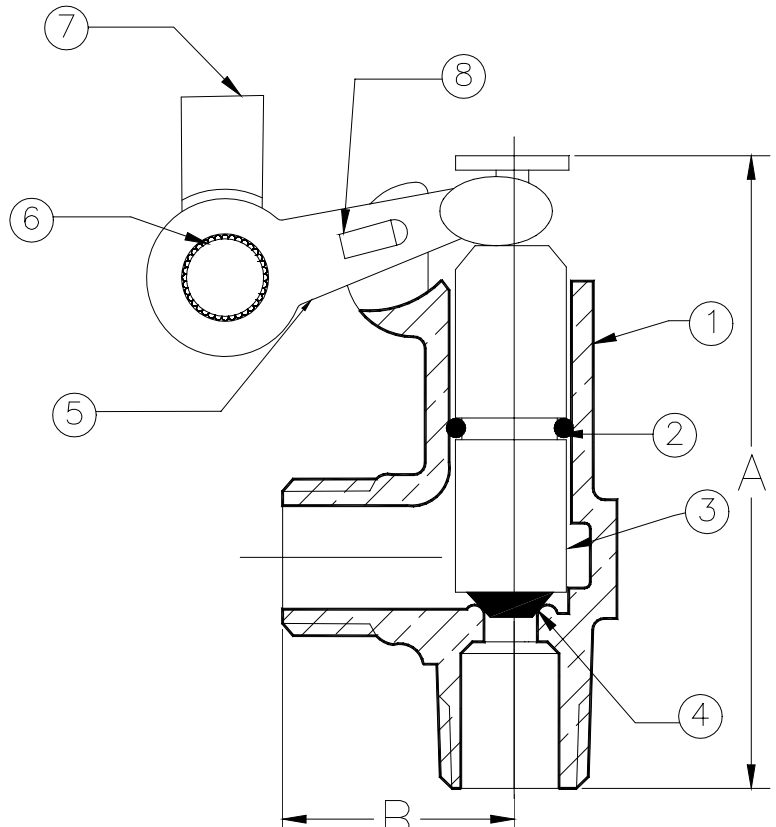
**Max Inlet Water Pressure 50PSI**  
**Bronze Body**  
**Brass Piston**  
**EPDM Disc & O-Ring**

*Available without Piston O-Ring as Part No. 3050FU*

### MATERIAL LIST

NO.	DESCRIPTION	MATERIAL
1	Body	Bronze
2	O-Ring	EPDM
3	Plunger	Brass
4	Disc	EPDM
5	Long Arm	Brass
6	Thumb Screw	Brass
7	Short Arm	Brass
8	Cotter Pin	Brass

Size	1/2"
A	3.40
B	1.40
Ship Wt. (lbs.)	0.69
Qty. Per Carton	12





**UNITED BRASS WORKS, INC.**  
 714 S. Main St., Randleman, NC 27317  
 Tel: 800-334-3035 Fax: 800-498-4696 www.ubw.com



## Model 3060 3/4" Float Valve

**Max Inlet Water Pressure 50PSI**  
**Bronze Body**  
**Brass Piston**  
**EPDM Disc & O-Ring**

*Available without Piston O-Ring as Part No. 3060FU*

### MATERIAL LIST

NO.	DESCRIPTION	MATERIAL
1	Body	Bronze
2	O-Ring	EPDM
3	Disc	EPDM
4	Cotter Pin	Brass
5	Short Arm	Brass
6	Thumb Screw	Brass
7	Long Arm	Brass
8	Piston	Brass

Size	1/2"
A	3.68
B	1.60
Ship Wt. (lbs.)	0.94
Qty. Per Carton	12

