



UNITED BRASS WORKS, INC.

714 S. Main St., Randleman, NC 27317

Tel: 800-334-3035 Fax: 800-498-4696 www.ubw.com



Model 125S Globe Valve

Soft Disc

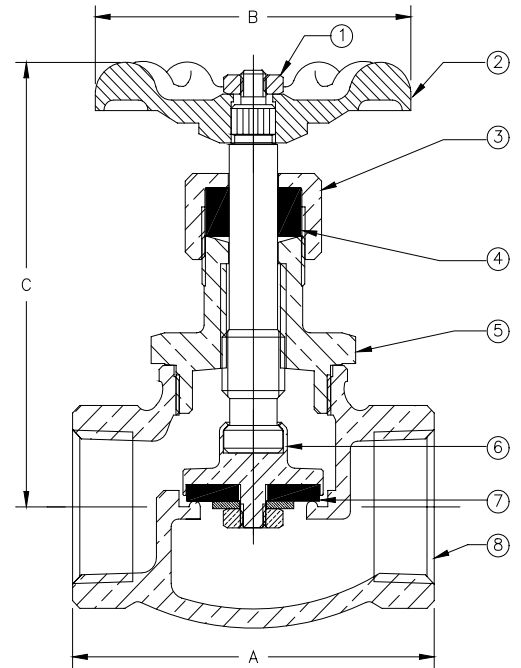
200 WOG @ 180 ° Max

100% Pressure Tested

Threaded Ends • Integral Seat

Rising Stem

Swivel Disc Holder



MATERIAL LIST

NO.	DESCRIPTION	MATERIAL
1	Hex Nut	Steel
2	Handwheel	Aluminum
3	Packing Nut	Brass
4	Packing	Graphite Non-Asb.
5	Bonnet (1/4" - 1") Bonnet (1 1/4" - 2")	Brass Bronze
6	Stem & Disc Holder	Brass
7	Disc	Buna N
8	Body	Bronze

Size	1/4"	3/8"	1/2"	3/4"	1"	1 1/4"	1 1/2"	2"
A	1.75	1.84	2.22	2.47	2.97	3.56	4.06	4.69
B	1.75	1.75	2.03	2.38	2.75	3.00	3.72	3.72
C (closed)	2.88	3.13	3.38	3.50	4.25	4.75	5.50	5.50
Ship Wt. (lbs.)	0.44	0.56	0.69	0.94	1.76	2.50	3.26	5.32
Qty. Unit Pack	12	12	12	6	6	4	2	2
Qty. Per Case	60	60	72	60	36	24	12	12



UNITED BRASS WORKS, INC.

714 S. Main St., Randleman, NC 27317

Tel: 800-334-3035 Fax: 800-498-4696 www.ubw.com

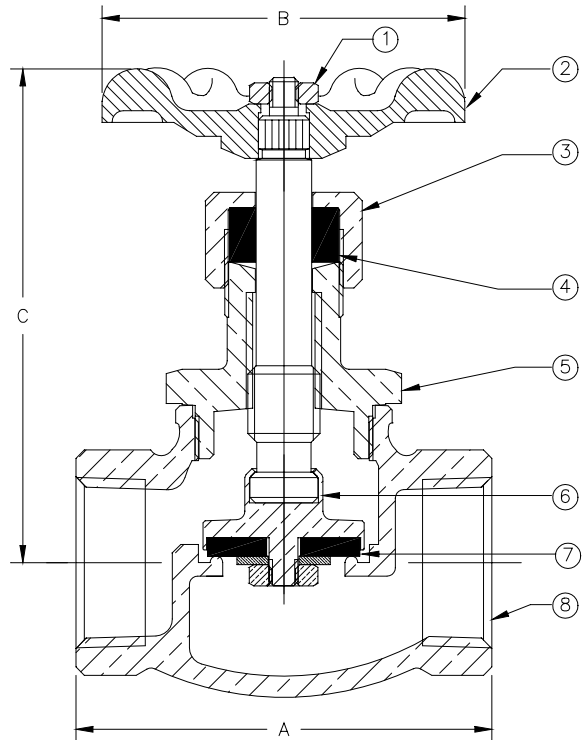


Model 125SUL Globe Valve

Soft Disc



UL US **UL Listed for Fire Sprinkler Service at 250 WOG
200 WOG @ 180 ° Max
100% Pressure Tested
Threaded Ends • Integral Seat
Rising Stem
Swivel Disc Holder**



MATERIAL LIST

NO.	DESCRIPTION	MATERIAL
1	Hex Nut	Steel
2	Hand Wheel	Aluminum
3	Packing Nut	Brass
4	Packing	Graphite Non-Asb.
5	Bonnet (1/2" - 1") Bonnet (1/4" - 2")	Brass Bronze
6	Stem & Disc Assm.	Brass
7	Disc	Buna N
8	Body	Bronze

Size	1/2"	3/4"	1"	1 1/4"	1 1/2"	2"
A	2.22	2.47	2.97	3.56	4.06	4.69
B	2.03	2.38	2.75	3.00	3.72	3.72
C (closed)	3.38	3.50	4.25	4.75	5.50	5.50
Ship Wt. (lbs.)	0.69	0.94	1.76	2.50	3.26	5.32
Qty. Unit Pack	12	6	6	4	2	2
Qty. Per Case	72	60	36	24	12	12



UNITED BRASS WORKS, INC.

714 S. Main St., Randleman, NC 27317

Tel: 800-334-3035 Fax: 800-498-4696 www.ubw.com



Model 175S Globe Valve

200 WOG @ 180 ° Max

100% Pressure Tested

Threaded Ends

Soft Disc

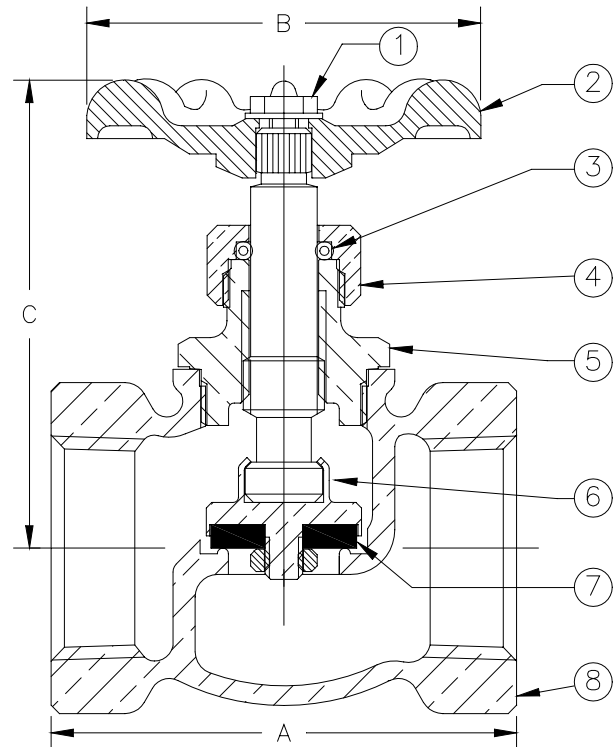
Rising Stem

Integral Seat

Swivel Disc Holder

MATERIAL LIST

NO.	DESCRIPTION	MATERIAL
1	Machine Screw	Steel
2	Hand Wheel	Aluminum
3	O-Ring	Buna
4	O-Ring Nut	Brass
5	Bonnet	Brass
6	Stem / Disc Assm.	Brass
7	Disc	Buna N
8	Body	Bronze



Size	1/2"	3/4"	1"
A	2.00	2.16	2.66
B	2.13	2.13	2.13
C (Open)	2.66	2.66	2.94
C (Closed)	2.30	2.27	2.63
Ship Wt. (lbs.)	0.65	0.75	1.17
Qty. Unit Pack	12	6	6
Qty. Per Case	72	60	60