

## Heating Component Heat Exchangers

### Series SU

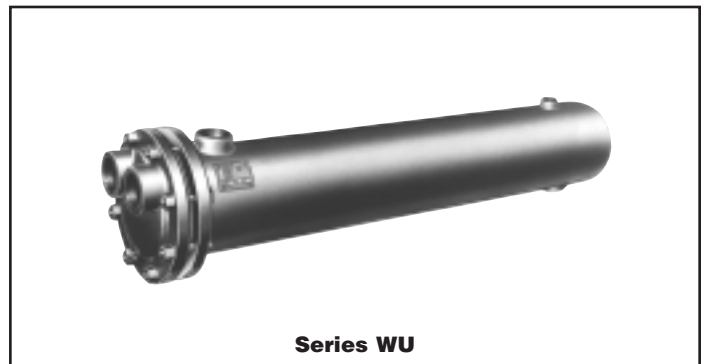
The SU Heat Exchanger is an instantaneous type, designed to heat liquids with steam. No space-wasting, expensive storage tank is needed.

Although the SU is used for heating many types of fluids, its widest application is for heating water. The SU can also be used as a converter for use with radiation, radiant panels and snow melting systems. Available in diameters 4" through 30".



### Series WU

Instantaneous water-to-water heat transfer - with pumped boiler water circulation. The WU, equipped with a B&G Booster Pump, pumps boiler water through the shell. Thereby greatly increasing the capacity of the heater. Large volumes of hot water are produced by an amazingly small unit. Sizes range from 4" diameter through 30" diameter.



### Series TCW and TCS

B&G Tank Heaters are 2 pass U-bend heat exchangers. Heads are furnished with tappings for steam, condensate, vacuum breaker and vent connections. Available in  $\frac{3}{4}$ " O.D. tube diameter. Heads on  $\frac{3}{4}$ " O.D. tube series only are also furnished with tappings for water connections. Type TCW head style for boiler water in tubes. Type TCS head style for steam in tubes.

