

Power Conversion

P250AF & P265F GAS BURNERS

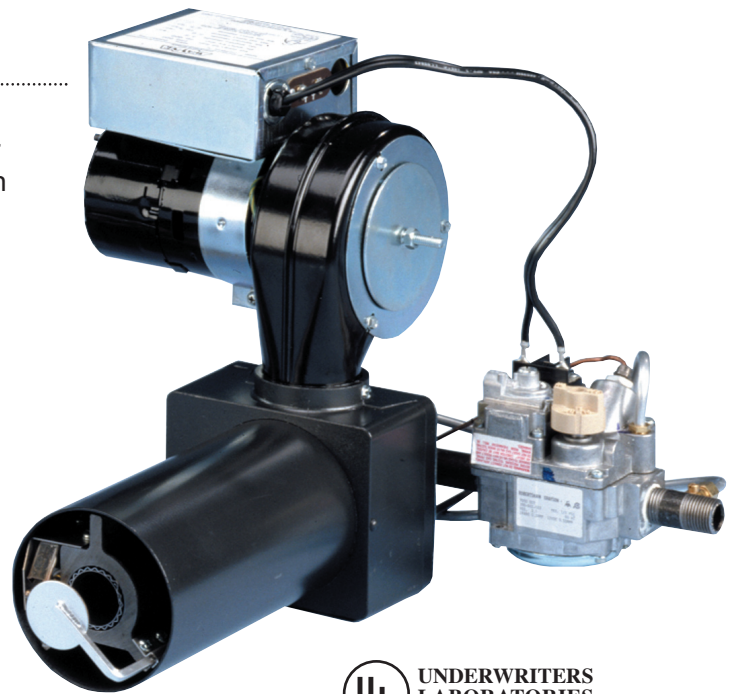


Model features:

All models feature forced draft compact design for high efficiency conversion of oil-fired furnaces, boilers, or water heaters to natural or LP gas. Direct spark ignition is recommended for most applications, however Standing Pilot is available. All Wayne gas burners include die cast aluminum housings for precise alignment of parts and a machined cast iron venturi for superior mixing of gas and air. Universal mounting flange adapts to any appliance. All models factory-wired and test-fired.

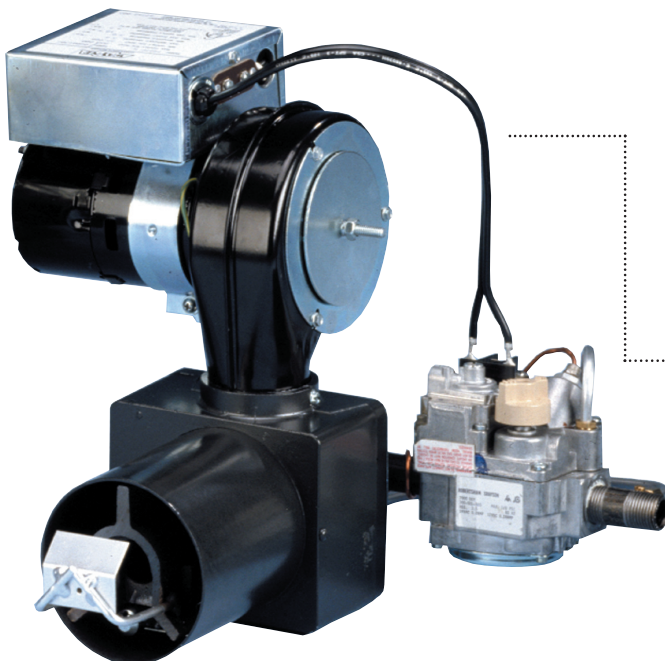
P250AF features:

The P250AF features an adjustable flame spreader to allow tailoring of the flame size to the combustion chamber. Fires from 50,000 to 250,000 Btu/hr. Power burner design will increase efficiency up to 30% over atmospheric gas burners. Available in 8" air tube length only.



P265F features:

The P265F features a fixed flame spreader, providing a consistent, bushy, round flame. Applications include furnaces, boilers, and water heaters. Fires from 65,000-200,000 Btu/hr. Quiet operation with simple design that is easy to install and service. Available in 5", 8" and 11" air tube lengths.

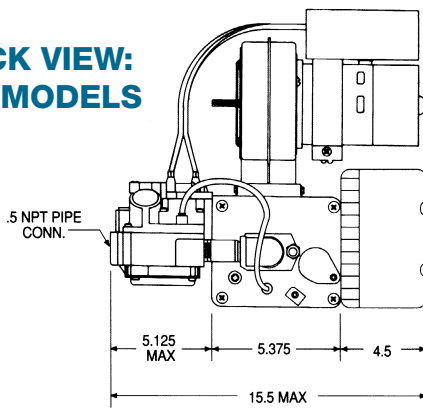


Specifications

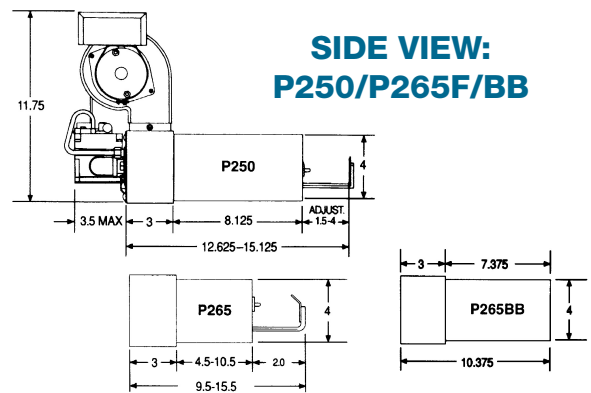
P250AF & P265F GAS BURNERS

| P250AF GAS BURNER | | P265F GAS BURNER | |
|-----------------------|--|-----------------------|--|
| Minimum Btu/hr Input | 50,000 | Minimum Btu/hr Input | 65,000 |
| Maximum Btu/hr Input | 250,000 | Maximum Btu/hr Input | 200,000 |
| Voltage | 120 Volt, 60Hz | Voltage | 120 Volt, 60Hz |
| Gas Pressure Required | Natural gas - 4.5" W.C. LP gas 11.0" W.C. | Gas Pressure Required | Natural gas - 4.5" W.C. LP gas 11.0" W.C. |
| Ignition Source | Standing pilot or Direct ignition(recommended) | Ignition Source | Standing pilot or Direct ignition (recommended) |
| Gas Valve | 24 Volt | Gas Valve | 24 Volt |
| Combustion Chamber | | Combustion Chamber | |
| Floor Area | Minimum 0.6 sq. in./1000 Btu/hr Maximum 0.9 sq. in./1000 Btu/hr | Floor Area | Minimum 0.6 sq. in./1000 Btu/hr Maximum 0.9 sq. in./1000 Btu/hr |
| Gas Connection | 1/2" NPT | Gas Connection | 1/2" NPT |
| Air Tube Diameter | 4" | Air Tube Diameter | 4" |

**BACK VIEW:
ALL MODELS**



**SIDE VIEW:
P250/P265F/BB**



| MODEL | ORDER WAYNE PART # | AIR TUBE LENGTH | FUEL | IGNITION* | SHIPPING WEIGHT EACH |
|--------|--------------------|-----------------|------|-----------|----------------------|
| P250AF | 61814 | 8" | Nat | S.P. | 24 lbs. |
| P250AF | 61819 | 8" | LP | S.P. | 26 lbs. |
| P250AF | 63365 | 8" | LP | D.I. | 24 lbs. |
| P250AF | 63366 | 8" | Nat | D.I. | 24 lbs. |
| P265F | 61487 | 5" | Nat | S.P. | 22 lbs. |
| P265 | 61175 | 5" | LP | S.P. | 24 lbs. |
| P265F | 61493 | 8" | Nat | S.P. | 24 lbs. |
| P265F | 61497 | 11" | Nat | S.P. | 25 lbs. |
| P265 | 61177 | 11" | LP | S.P. | 25 lbs. |
| P265 | 63367 | 5" | LP | D.I. | 23 lbs. |
| P265 | 63368 | 5" | Nat | D.I. | 23 lbs. |
| P265F | 63369 | 8" | Nat | D.I. | 24 lbs. |
| P265 | 63370 | 11" | LP | D.I. | 25 lbs. |
| P265 | 63371 | 11" | Nat | D.I. | 25 lbs. |

BOILER BURNERS

| | | | | | |
|----------|-----------|-------------------|-----|------|---------|
| P265F BB | 62301-001 | 7 $\frac{3}{8}$ " | Nat | S.P. | 24 lbs. |
| P265F BB | 63388 | 7 $\frac{3}{8}$ " | Nat | D.I. | 24 lbs. |

*S.P. = Standing Pilot
D.I. = Direct Ignition