



Product information presented here reflects conditions at time of publication. Consult factory regarding discrepancies or inconsistencies.

MAIL TO: P.O. BOX 16347 • Louisville, KY 40256-0347
SHIP TO: 3649 Cane Run Road • Louisville, KY 40211-1961
(502) 778-2731 • 1 (800) 928-PUMP • FAX (502) 774-3624

visit our web site:
<http://www.zoeller.com>

REPLACEMENT PARTS LIST FOR MODELS 720 - 730 - 740 - 750 - 760 ALL VOLTAGES AND PHASES

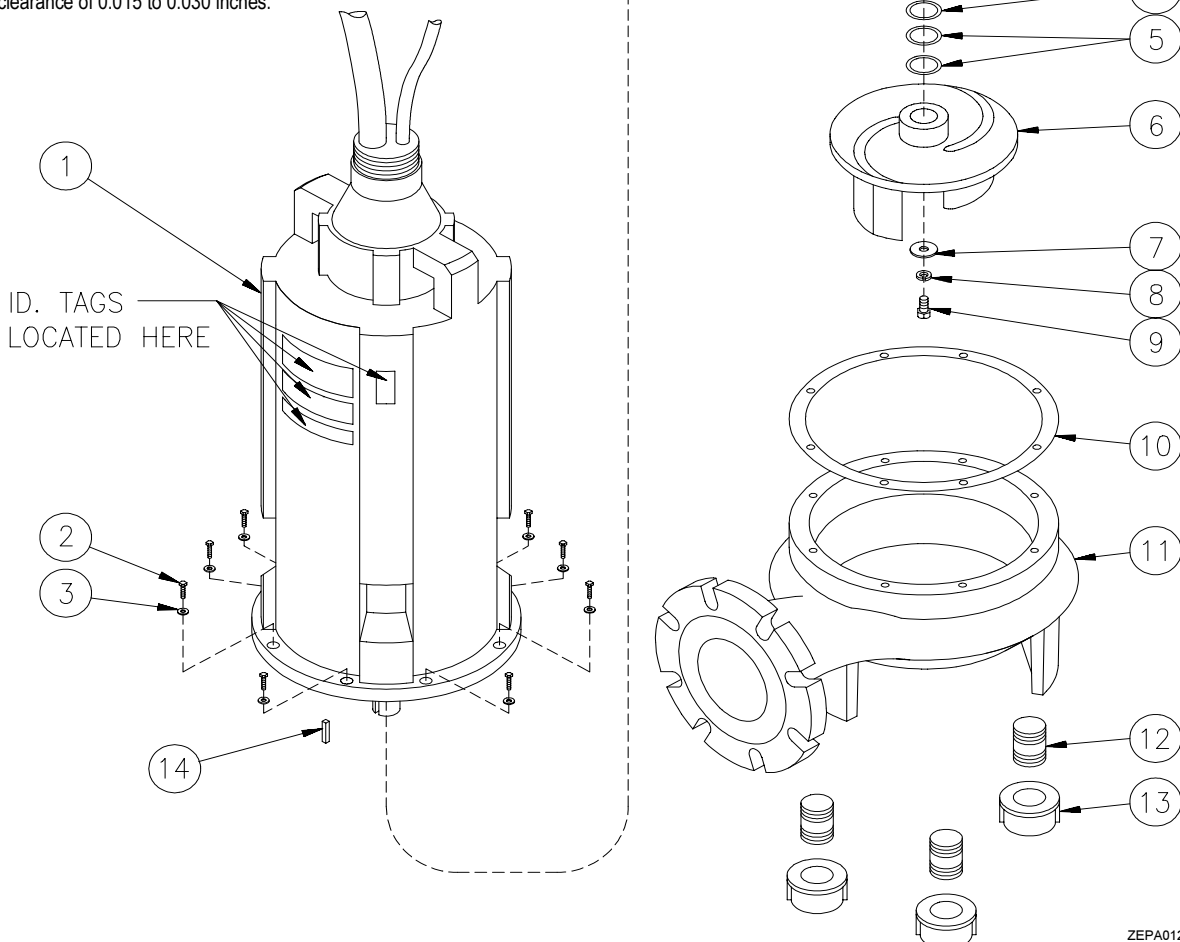
No.	Description	Qty
1	Motor (UL)	1
2	Hex Head Screw	8
3	Flat Washer	8
4	Impeller Spacer	*
5	Impeller Shim	*
6	Impeller	1
7	Impeller Washer	1
8	Lock Washer	1
9	Impeller Bolt	1
10	Pump Housing Gasket	1
11	Pump Housing	1
	a) 3" Vertical (1 - 3 BHP)	
	b) 4" Horizontal (1 - 5 BHP) (shown)	
12	Pipe Nipple (If Necessary)	3
13	Pipe Cap (If Necessary)	3
14	Impeller Key	1

Model # _____

Part # _____

Serial # _____

* Number of spacers and/or shims vary to set a clearance of 0.015 to 0.030 inches.



ZEPA0128