

Colour Coded Series



CRN

Description

Winters' Colour Coded Series Pressure Gauges feature a coloured, polyethylene terephthalate case (P.B.T) and bezel. The gauge is available in 4" (100mm) or 6" (150mm) dials. This unique pressure gauge allows for fast, easy and safe visual identification of any gauge system including: process contents, specific pressure range or a particular type of pressure gauge. Available in 16 different colours, this colour coded pressure gauge features an UV resistant case, which will not fade in colour or breakdown in any corrosive environment. The Colour Coded Series is available with stainless steel or brass sockets and tubes that can be liquid-filled for high pulsation and vibration environments. As an option, the gauges can be equipped with a safety case featuring a blowout back plate with solid front. The Colour Coded Series can be most commonly found on pumps, compressors, hydraulic presses & machinery, motors, etc.



Corporate Office: 121 Railside Road • Toronto • ON • M3A 1B2 • (416) 444-2345 • Fax: (416) 444-8979

U.S.A. Office: 600 Ensminger Road • Buffalo • NY • 14150 • (716) 874-8700 • Fax: (716) 874-8800

www.winters.com • 1-800-WINTERS (946-8377)

Colour Coded Series

Stainless Steel Specifications

Dial:	4" (100mm), 6" (150mm) white aluminum with black and red markings
Case:	P.B.T. Polyutylene terephthalate - colour coded
Lens:	Polycarbonate
Ring:	P.B.T. Polyutylene terephthalate - colour coded
Pointer:	Aluminum, anodized black
Socket:	316L stainless steel
Connection:	1/4" NPT or 1/2" NPT standard
Bourdon Tube:	316L stainless steel, seamless drawn
Movement:	304 stainless steel
Gasket Materials:	4" (100mm), 6" (150mm) - EPDM
Fill Liquid:	Glycerin, silicone and fluorolube optional
Protection:	IP65 per UEC 529, UNI 8896
Welding:	TIG, Silver alloy
Over-pressure Limit:	30% for pressures up to 600 psi (4,147 kPa), 15% for pressures over 600 psi (4,147 kPa)
Working Pressure:	Maximum 75% of full scale value
Ambient Temperature:	-40°F to 150°F (-40°C to 65°C) dry, 14°F-150F (-10°C-65°C) glycerin filled
Process Temperature:	-40°F to 150°F (-40°C to 65°C) dry, 14°F-150F (-10°C-65°C) glycerin filled
Accuracy:	+/-1% (ANSI/ASME Grade 1A)

Brass Specifications

Dial:	4" (100mm) white aluminum with black and red markings
Case:	P.B.T. Polyutylene terephthalate - colour coded
Lens:	Plexiglass
Ring:	P.B.T. Polyutylene terephthalate - colour coded
Pointer:	Aluminum, anodized black
Socket:	OT 58 brass
Connection:	1/4" NPT or 1/2" NPT standard
Bourdon Tube:	Phosphor bronze
Movement:	Gears are OT 59 brass, plates are AISI 304 st/st
Gasket Materials:	Silicone rubber for socket, EPDM for lens, filling plug and blow-out vent
Fill Liquid:	Glycerin, silicone and fluorolube optional
Protection:	IP65 per UEC 529, UNI 8896
Welding:	Tin/copper alloy for pressures below 600 psi (4,147 kPa) Silver alloy for pressure 600 psi (4.147 kPa) and above
Over-pressure Limit:	25% for pressures up to 1,400 psi (9,653 kPa), 15% for pressures over 1,400 psi (9,653 kPa)
Working Pressure:	Maximum 75% of full scale value
Ambient Temperature:	-40°F to 150°F (-40°C to 65°C) dry, 14°F-150F (-10°C-65°C) glycerin filled
Process Temperature:	-40°F to 150°F (-40°C to 65°C) dry, 14°F-150F (-10°C-65°C) glycerin filled
Accuracy:	+/-1% ANSI/ASME Grade 1A



Corporate Office: 121 Railside Road • Toronto • ON • M3A 1B2 • (416) 444-2345 • Fax: (416) 444-8979

U.S.A. Office: 600 Ensminger Road • Buffalo • NY • 14150 • (716) 874-8700 • Fax: (716) 874-8800

www.winters.com • 1-800-WINTERS (946-8377)

Colour Coded Series

How to order: Specify product code and colour code

PRODUCT CODE*

Dial Size	4" (100mm)		4" (100mm)		6" (150mm)	
NPT Connection						
Bottom	1/4"	1/2"	1/4"	1/2"	1/4"	1/2"
Movement						
Socket,Tube	Brass	Brass	St/St	St/St	St/St	St/St
30" Hg. Vac./kPa	P600C	*	P640C	P655C	P1078C	*
30"-0-15 psi/kPa	P1020C	*	P1036C	P1044C	P1079C	*
30"-0-30 psi/kPa	P1021C	*	P1037C	P1045C	P1052C	*
30"-0-60 psi/kPa	P1022C	*	P1038C	P1046C	P1053C	*
30"-0-100 psi/kPa	P1023C	*	P1039C	P1047C	P1054C	*
30"-0-150 psi/kPa	P1024C	*	P1040C	P1048C	P1055C	*
30"-0-200 psi/kPa	P1026C	*	P1042C	P1050C	P1057C	*
30"-0-300 psi/kPa	P1027C	*	P1043C	P1051C	P1058C	*
0-15 psi/kPa	P601C	*	P641C	P656C	P1059C	*
0-30 psi/kPa	P602C	*	P642C	P657C	P1060C	*
0-60 psi/kPa	P603C	*	P643C	P658C	P1061C	*
0-100 psi/kPa	P604C	*	P644C	P659C	P1062C	*
0-160 psi/kPa	P605C	*	P645C	P660C	P1063C	*
0-200 psi/kPa	P606C	*	P646C	P661C	P1064C	*
0-300 psi/kPa	P607C	*	P647C	P662C	P1065C	*
0-400 psi/kPa	P610C	*	P650C	P666C	P1077C	*
0-600 psi/kPa	P608C	*	P648C	P663C	P1066C	*
0-1000 psi/kPa	P609C	P624C	P649C	P664C	P1067C	P1080C
0-1500 psi/kPa	*	P625C	*	P665C	P1068C	P1081C
0-2000 psi/kPa	*	P626C	*	P667C	P1069C	P1082C
0-3000 psi/kPa	*	P627C	*	P668C	P1070C	P1083C
0-5000 psi/kPa	*	P628C	*	P669C	P1072C	P1085C
0-10000 psi/kPa	*	P629C	*	P670C	P1073C	P1086C
0-15000 psi/kPa	*	P630C	*	P671C	P1074C	P1087C
0-20000 psi/kPa	*	P639C	*	P672C	P1075C	P1088C

*Colour Codes:

4" (100 mm) Case	6" (150 mm) Case
1Y - Red	1Z - Red
2Y - Yellow	2Z - Yellow
3Y - Black	3Z - Black
4Y - Green	4Z - Green
5Y - Blue	5Z - Blue
6Y - Orange	6Z - Orange
7Y - Gold	7Z - Gold
8Y - Brown	8Z - Brown
9Y - White	9Z - White
10Y - Pink	10Z - Pink
11Y - Purple	11Z - Purple
12Y - Cyan	12Z - Cyan
13Y - Charcoal	13Z - Charcoal
14Y - Dark Brown	14Z - Dark Brown
15Y - Olive Green	15Z - Olive Green
16Y - Violet	16Z - Violet
17Y - Grey	

*Add appropriate colour code as suffix. (e.g. P663C5Y = Product Code + Colour Code)

Options:

Add suffix "G" for glycerin fill
Available with Safety Case



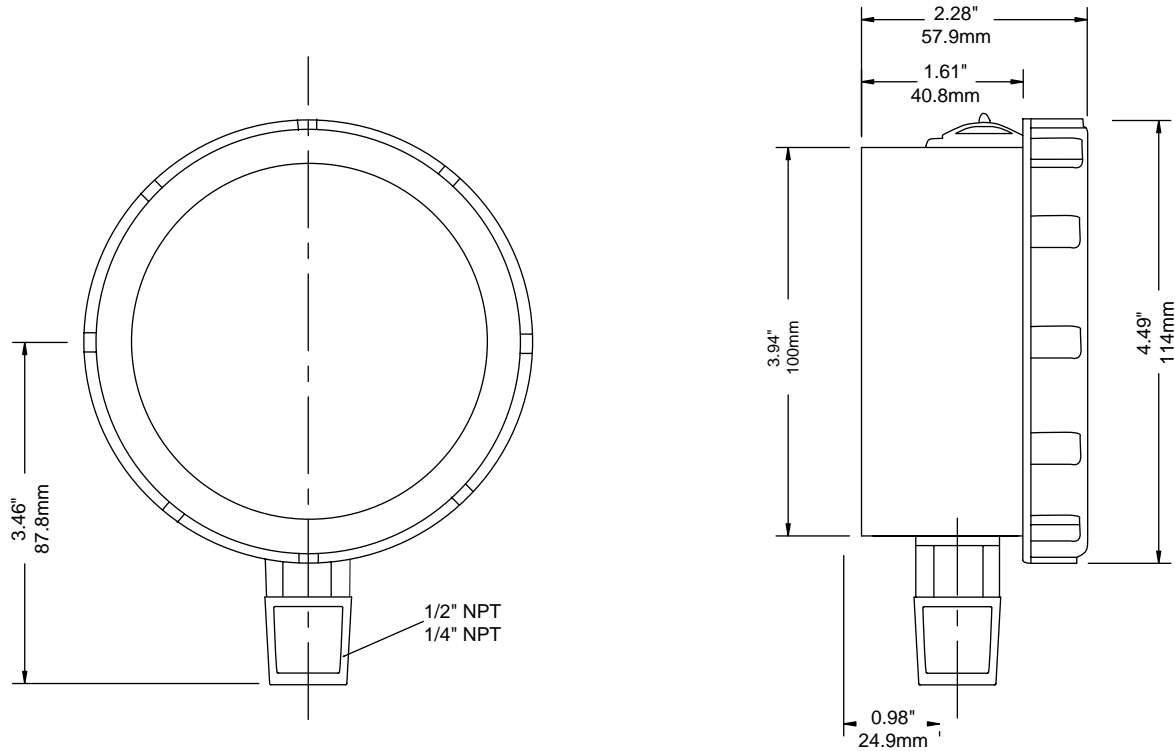
Corporate Office: 121 Railside Road • Toronto • ON • M3A 1B2 • (416) 444-2345 • Fax: (416) 444-8979

U.S.A. Office: 600 Ensminger Road • Buffalo • NY • 14150 • (716) 874-8700 • Fax: (716) 874-8800

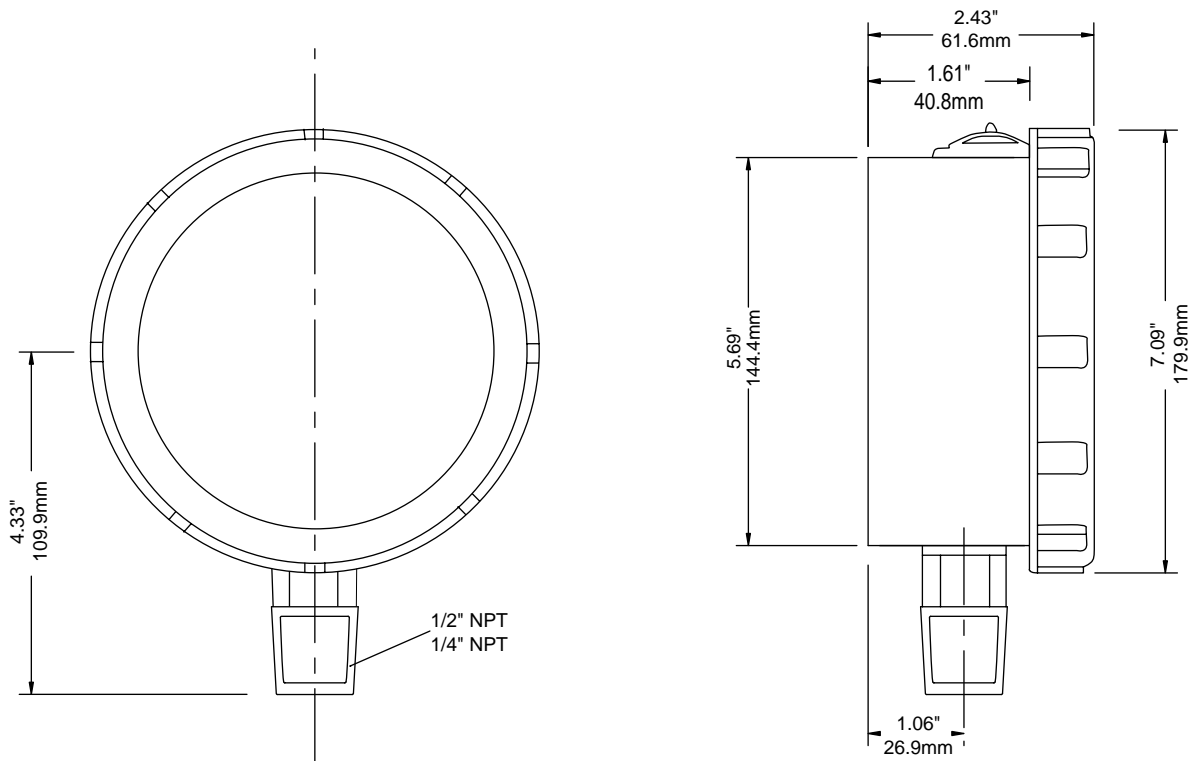
www.winters.com • 1-800-WINTERS (946-8377)

Colour Coded Series

4" Bottom Connection



6" Bottom Connection



Corporate Office: 121 Railside Road • Toronto • ON • M3A 1B2 • (416) 444-2345 • Fax: (416) 444-8979

U.S.A. Office: 600 Ensminger Road • Buffalo • NY • 14150 • (716) 874-8700 • Fax: (716) 874-8800

www.winters.com • 1-800-WINTERS (946-8377)

12/02