

Receiver

CRN



Description

Winters Receiver Gauge works in association with an electronic instrument and is used in an industrial application where a signal is to be indicated. The gauge indicates pressure, temperature or flow that can be transmitted by proportional variations in pressure. The gauge can also be used to determine leaks in tanks and pipes. The receiver gauge contains a brass or stainless steel tube and socket. The gauge has an accuracy rating of $\pm 0.5\%$ ANSI/ASME Grade 2A and maintains a CRN registration. The 4 1/2" (115 mm) dial size with adjustable micrometer and adjustable pointer is encased in a phenolic material with a 1/4" NPT connection.

Specifications

| | |
|-----------------------------|--|
| Dial: | 4 1/2" (115mm) white aluminum with black and red markings |
| Case: | Black impact resistance phenolic |
| Solid Wall: | 304 stainless steel |
| Lens: | Acrylic |
| Ring: | Phenolic |
| Pointer: | Aluminum, micrometer, |
| Socket: | Brass or 316 stainless steel |
| Connection: | 1/4" NPT standard bottom |
| Bourdon Tube: | Phosphor bronze or 316 stainless steel |
| Movement: | Brass or 304 stainless steel |
| Gasket Materials: | EPDM |
| Welding: | TIG/Silver alloy |
| Over-pressure Limit: | 25% of full scale value |
| Working Pressure: | Maximum 75% of full scale value |
| Ambient Temperature: | -40°F to 150°F (-40°C to 65°C) dry 14°F to 150°F (-10°C to 65°C) filled |
| Process Temperature: | -40°F to 150°F (-40°C to 65°C) 14°F to 150°F (-10°C to 65°C) filled |
| Accuracy: | $\pm 0.5\%$ (ANSI/ASME GRADE 2A) |
| Protection: | IP65 |



Corporate Office: 121 Railside Road • Toronto • ON • M3A 1B2 • (416) 444-2345 • Fax: (416) 444-8979

U.S.A. Office: 600 Ensminger Road • Buffalo • NY • 14150 • (716) 874-8700 • Fax: (716) 874-8800

www.winters.com • 1-800-WINTERS (946-8377)

Receiver

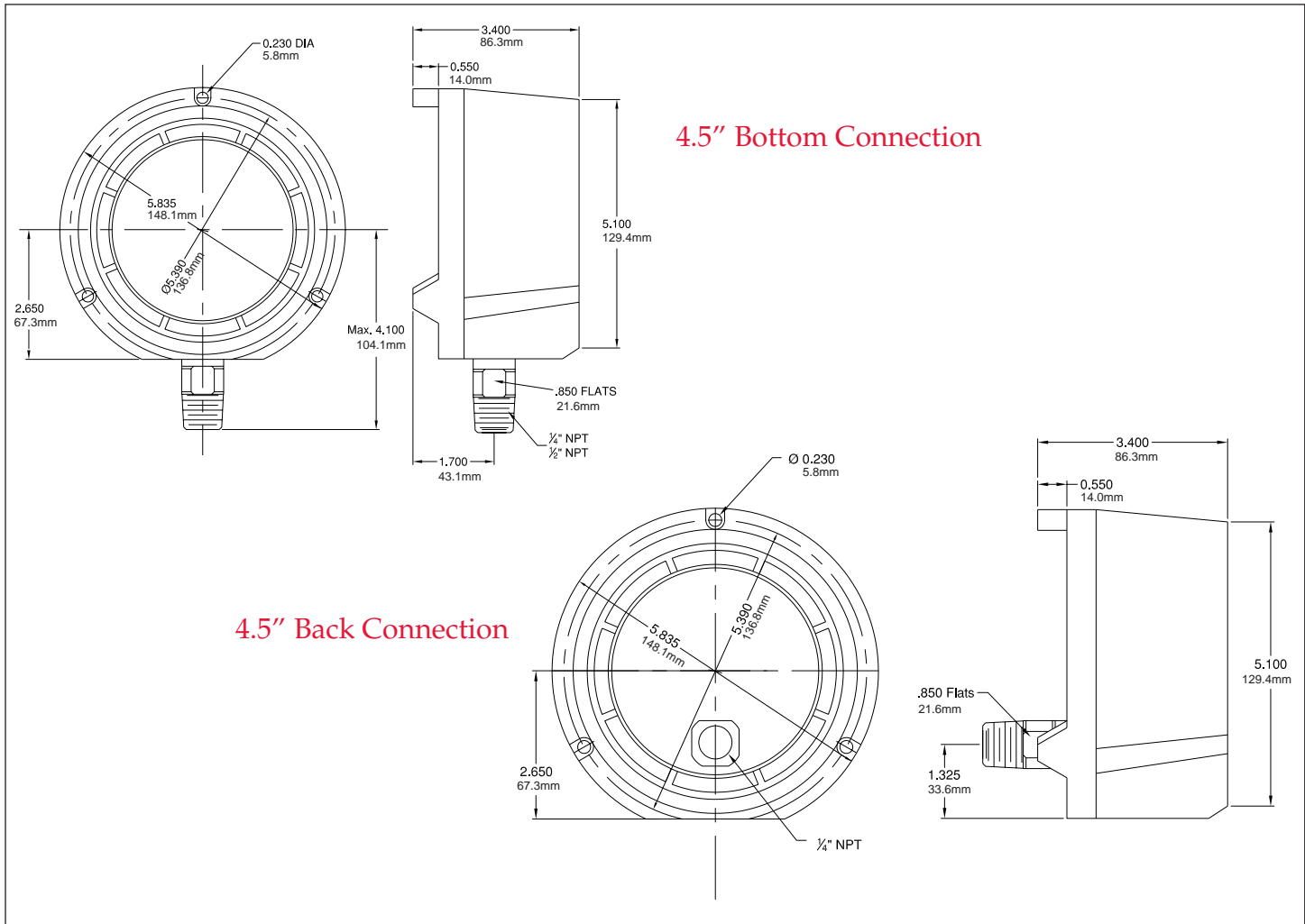
How to order: Specify product code

PRODUCT CODES

| Range* | Product Codes | |
|----------|--|--|
| | Socket, Tube (Brass) 1/4" NPT Bottom Connection | Socket, Tube (St./St.) 1/4" NPT Bottom Connection |
| 3-15 psi | P5081REC | P5041REC |
| 3-27 psi | P5082REC | P5042REC |

* Please indicate corresponding dials (e.g. square root, % etc.)

Other options available upon request



Corporate Office: 121 Railside Road • Toronto • ON • M3A 1B2 • (416) 444-2345 • Fax: (416) 444-8979

U.S.A. Office: 600 Ensminger Road • Buffalo • NY • 14150 • (716) 874-8700 • Fax: (716) 874-8800

www.winters.com • 1-800-WINTERS (946-8377)