

"QUALITY PUMPS SINCE 1939"

Product information presented here reflects conditions at time of publication. Consult factory regarding discrepancies or inconsistencies.

**ZOELLER**  
PUMP CO.



SECTION: 2.30.010

FM1784

0305

Supersedes

0803

MAIL TO: P.O. BOX 16347 • Louisville, KY 40256-0347  
SHIP TO: 3649 Cane Run Road • Louisville, KY 40211-1961  
(502) 778-2731 • 1 (800) 928-PUMP • FAX (502) 774-3624

visit our web site:  
[www.zoeller.com](http://www.zoeller.com)

## COMPARE THESE FEATURES

- 115V single phase/60 Hz, .4 HP, 5.5 Amps, 3400 RPM.
- Thermal overload protection.
- Non-corrosive engineered plastic motor housing, pump housing, base, and impeller.
- Oil Free.
- No steel sheet metal parts to rust or corrode.
- All stainless steel screws, switch arm, and lower motor housing.
- 2-pole float operated mechanical switch.
- Solid polypropylene float.
- UL Listed 15' cord with 3-prong plug.
- Maximum temperature for dewatering - 110°F (43°C).
- Passes 2" inch spherical solids.
- 2" NPT discharge.
- Non-clogging vortex impeller.
- On point— 13" • Off point— 5-3/4"
- Major width - 9-5/16" • Height - 15-7/8"

**Note:** The sizing of effluent systems normally requires variable level float(s) controls and properly sized basins to achieve required pumping cycles or dosing timers with nonautomatic pumps.

**ZOELLER**  
PUMP CO.



Manufacturers of . . .

"QUALITY PUMPS SINCE 1939"

**ALL MODELS ARE  
COMPLETELY SUBMERSIBLE  
HERMETICALLY SEALED**  
Watertight - dust tight.

**Model 211**  
(For Pump Prefix Identification  
see News & Views 0052)

**"AQUA-MATE"**  
SUBMERSIBLE PUMP

FOR  
SEWAGE/EFFLUENT OR DEWATERING

PASSES 2" SOLIDS  
2" NPT DISCHARGE

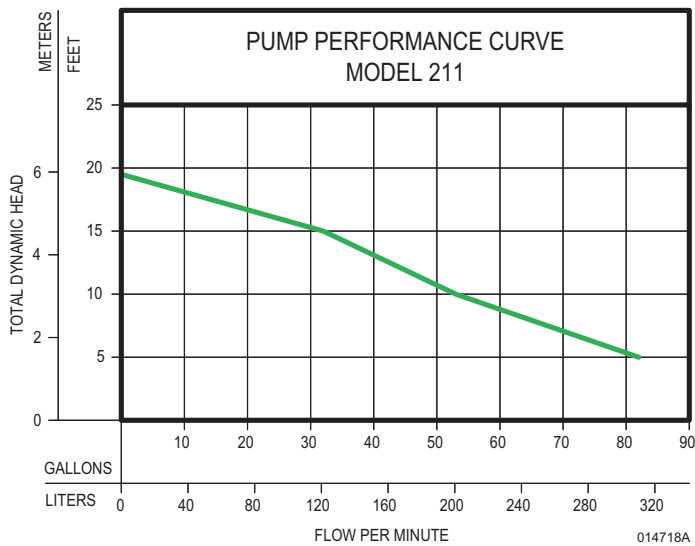


**AUTOMATIC  
MODEL**



**MODELS AVAILABLE**  
• Automatic or Nonautomatic

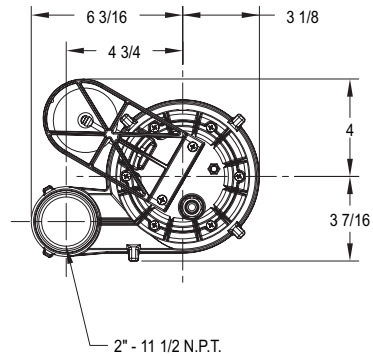




**TOTAL DYNAMIC HEAD/FLOW PER MINUTE SEWAGE AND DEWATERING**

MODEL		211	
Feet	Meters	Gal.	Liters
5	1.5	82	310
10	3.0	53	201
15	4.6	32	121
Shut-off Head:		19.5 ft. (5.9m)	

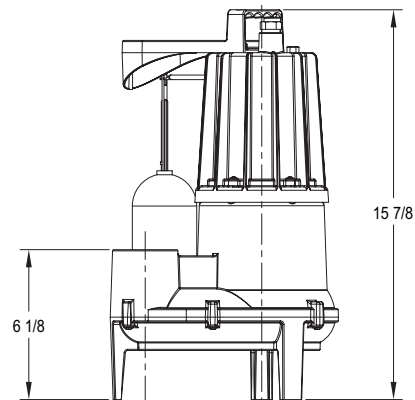
014718B



Recommended for 2" pipe only.

**CONSULT FACTORY FOR SPECIAL APPLICATIONS**

- Variable level Float Switches available.
- Variable level long cycle systems available.
- Alarm systems available.



SK2092A

Single Seal	Control Selection					
	Model	Volts - Ph	Mode	Amps	Simplex	Duplex
M 211	115	1	Auto	5.5	1	3
N 211	115	1	NonAuto	5.5	2	2 & 3

**SELECTION GUIDE**

1. Integral float operated mechanical switch, no external control required.
2. For automatic use single piggyback variable level float switch or double piggyback variable level float switch. Refer to FM0477.
3. See FM1663 for a residential alternator system.

For information on additional Zoeller products refer to catalog on Piggyback Variable Level Float Switches, FM0477; Sump/Sewage Basins, FM0487; and Single Phase Simplex Pump Control/Alarm Systems, FM0732.

**CAUTION**

All installation of controls, protection devices and wiring should be done by a qualified licensed electrician. All electrical and safety codes should be followed including the most recent National Electric Code (NEC) and the Occupational Safety and Health Act (OSHA).

**RESERVE POWERED DESIGN**

For unusual conditions a reserve safety factor is engineered into the design of every Zoeller pump.



www.zoeller.com



MAIL TO: P.O. BOX 16347  
Louisville, KY 40256-0347  
SHIP TO: 3649 Cane Run Road  
Louisville, KY 40211-1961  
(502) 778-2731 • 1 (800) 928-PUMP  
FAX (502) 774-3624

Manufacturers of..

*"QUALITY PUMPS SINCE 1939"*