

# Ammonia

CRN



Premium 4" Dial

## Description

Winters Ammonia Gauges are widely used in the refrigeration industry where they provide reliable service at a reasonable price.

Winters Ammonia Gauges are available in Premium Series (2½" [63mm], 4" [100mm], 6" [150mm], 8½" [200mm], & 10" [250mm] dial size) with welded #316 stainless steel internals, Quality Series 4" [100mm] dial size) with welded steel internals or Economy Series (2½" [63mm] and 4" [100mm]) with stainless steel tube and nickel plated socket.

The Winters Ammonia Gauges are CRN registered.

**How to order: Specify product code**

## PRODUCT CODES

### PREMIUM

Dial Size	30-0-150 PSI/F	30-0-300 PSI/F
2.5" (63mm) Bottom	P1750	P1751
2.5" (63mm) Back (CB)	P1752	P1753
4" (100mm) Bottom	P1705	P1706
4" (100mm) Back (LB)	P1708	P1709
6" (150mm) Bottom	P1710	P1711
8.5" (200mm) Bottom	P1712	P1713
10" (250mm) Bottom	P1714	P1715

### QUALITY

Dial Size	30-0-150 PSI/F	30-0-300 PSI/F
4" (100mm) Bottom	Q1701	Q1702
4" (100mm) Back (LB)	Q1703	Q1704

### ECONOMY

Dial Size	30-0-150 PSI/F	30-0-300 PSI/F
2.5" (63mm) Bottom	E1699	E1700
2.5" (63mm) Back	*	*
4" (100mm) Bottom	E1695	E1696
4" (100mm) Back (CB)	E1697	E1698

### Options:

- Back flange available.
  - Other ranges available upon request.
  - Glycerine fill available (except on 8.5" & 10" dials)
  - Other connection sizes available upon request.
  - Front flange available.
  - U-clamp available.
- CB - Centre back connection, LB - Lower back connection



Corporate Office: 121 Railside Road • Toronto • ON • M3A 1B2 • (416) 444-2345 • Fax: (416) 444-8979

U.S.A. Office: 600 Ensminger Road • Buffalo • NY • 14150 • (716) 874-8700 • Fax: (716) 874-8800

[www.winters.com](http://www.winters.com) • 1-800-WINTERS (946-8377)

# Ammonia

## Premium Series Specifications

<b>Dial:</b>	2 1/2" (63mm), 4" (100mm), 6" (150mm), 8 1/2" (200mm), 10" (250mm) white with black and red markings
<b>Case/Ring:</b>	AISI 304 stainless steel for 2 1/2" (63mm), 4" (100mm) & 6" (150mm) - Aluminum case for 8 1/2" & 10"
<b>Lens:</b>	Polycarbonate
<b>Pointer:</b>	Aluminum, anodized black, micrometer adjustable 4" (100mm) and 6" (150mm)
<b>Socket:</b>	316L stainless steel
<b>Connection:</b>	1/4" NPT or 1/2" NPT standard, bottom
<b>Bourdon Tube:</b>	316L stainless steel, seamless drawn
<b>Movement:</b>	304 stainless steel
<b>Gasket Materials:</b>	2 1/2" (63mm): Buna N for case and black seal, Monoprene for lens seal 4" (100mm), 6" (150mm), 8 1/2" (200mm) and 10" (250mm) EPDM
<b>Welding:</b>	TIG
<b>Over-pressure Limit:</b>	30% of full scale value
<b>Working Pressure:</b>	Maximum 75% of full scale value
<b>Ambient Temperature:</b>	-40°F to 150°F (-40°C to 65°C) - dry, 14°F to 150°F (-10°C to 65°C) - liquid filled (8 1/2" & 10" dry)
<b>Process Temperature:</b>	-40°F to 150°F (-40°C to 65°C) - dry, 14°F to 150°F (-10°C to 65°C) - liquid filled (8 1/2" & 10" dry)
<b>Accuracy:</b>	2 1/2" (63mm): +/-1.5% , 4" (100mm) and 6" (150mm) +/-1.0% of full scale , 8 1/2" (200mm) & 10" (250mm) +/- 0.5% (ANSI/ASME Grade 2A)
<b>Protection:</b>	IP65

## Quality Series Specifications

<b>Dial:</b>	4" (100mm) aluminum, painted white
<b>Case/Ring:</b>	AISI 304 stainless steel
<b>Lens:</b>	Polycarbonate
<b>Pointer:</b>	Aluminum, anodized black
<b>Socket / Bourdon Tube:</b>	316 Stainless steel
<b>Connection:</b>	1/4" NPT standard
<b>Movement:</b>	304 stainless steel
<b>Over-pressure Limit:</b>	30% of full scale value
<b>Working Pressure Limit:</b>	Maximum 75% of full scale value
<b>Ambient/Process Temp.:</b>	-40°F to 150°F dry (-25°C to 65°C), 14°F-150°F (-10°C-65°C) liquid filled
<b>Accuracy:</b>	+/- 1.5% (ANSI/ASME Grade 1A)
<b>Protection:</b>	IP65

## Economy Series Specifications

<b>Dial:</b>	2 1/2" (63mm) and 4" (100mm) aluminum, painted white
<b>Case:</b>	2 1/2" (63mm) steel painted black, 4" (100mm) steel painted black
<b>Lens:</b>	Polycarbonate
<b>Ring:</b>	2 1/2" (63mm) steel, painted black, 4" (100mm) AISI 304 stainless steel
<b>Pointer:</b>	Aluminum, anodized black
<b>Socket:</b>	2 1/2" (63mm) steel, and 4" (100mm) nickel plated steel
<b>Connection:</b>	1/4" NPT standard
<b>Bourdon Tube:</b>	2 1/2" (63mm) and 4" (100mm) stainless steel
<b>Movement:</b>	Stainless steel
<b>Over-pressure Limit:</b>	30% of full scale value
<b>Working Pressure:</b>	Maximum 75% of full scale value
<b>Ambient/Process Temp.:</b>	-40°F to 150°F (-40°C to 65°C)
<b>Accuracy:</b>	+/- 3-2-3% (ANSI/ASME Grade B)
<b>Protection:</b>	IP52



Corporate Office: 121 Rainside Road • Toronto • ON • M3A 1B2 • (416) 444-2345 • Fax: (416) 444-8979

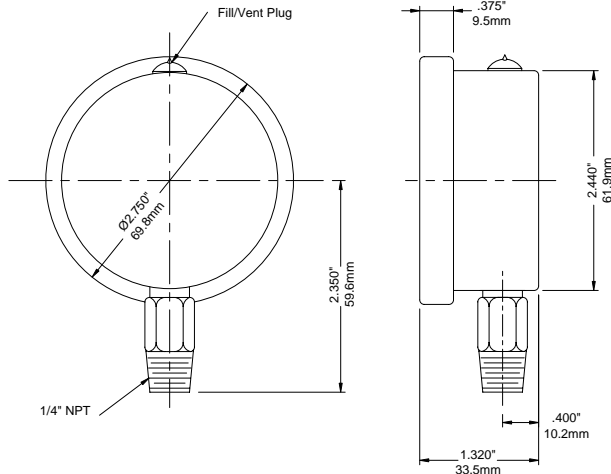
U.S.A. Office: 600 Ensminger Road • Buffalo • NY • 14150 • (716) 874-8700 • Fax: (716) 874-8800

[www.winters.com](http://www.winters.com) • 1-800-WINTERS (946-8377)

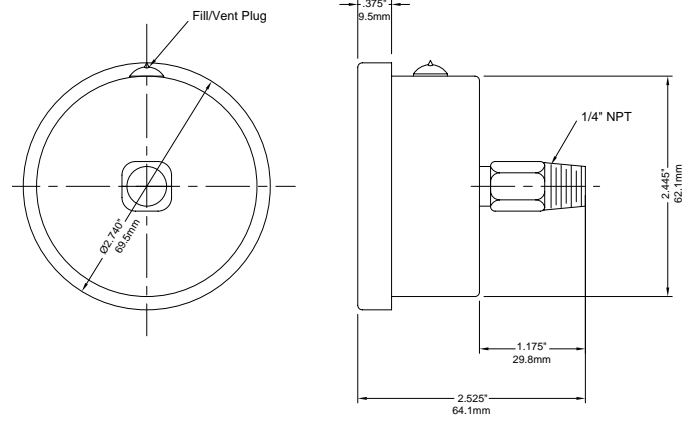
# Ammonia

## PREMIUM AMMONIA GAUGE

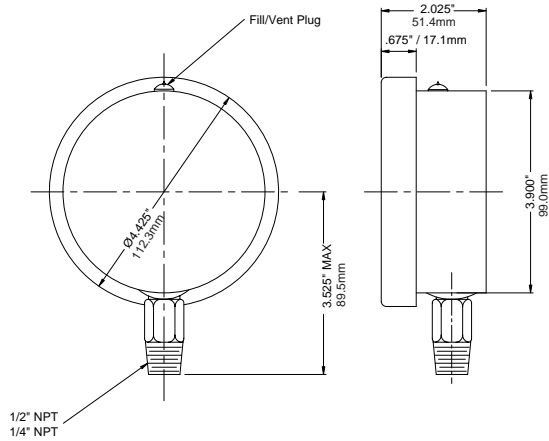
### 2 1/2" Bottom Connection



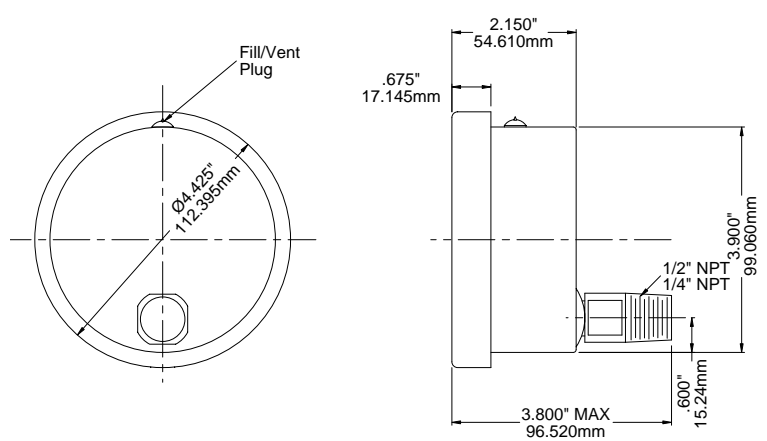
### 2 1/2" Back Connection



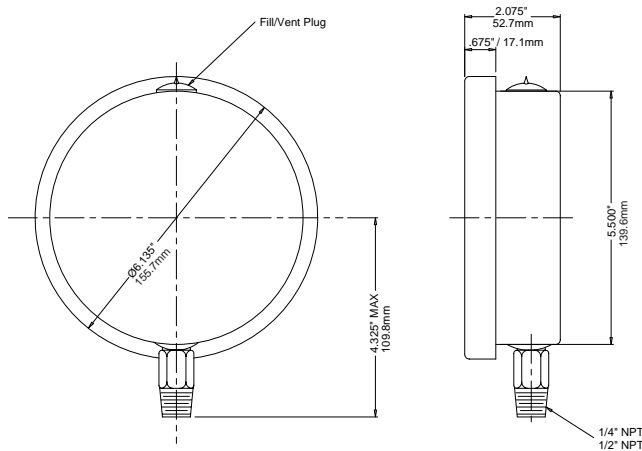
### 4" Bottom Connection



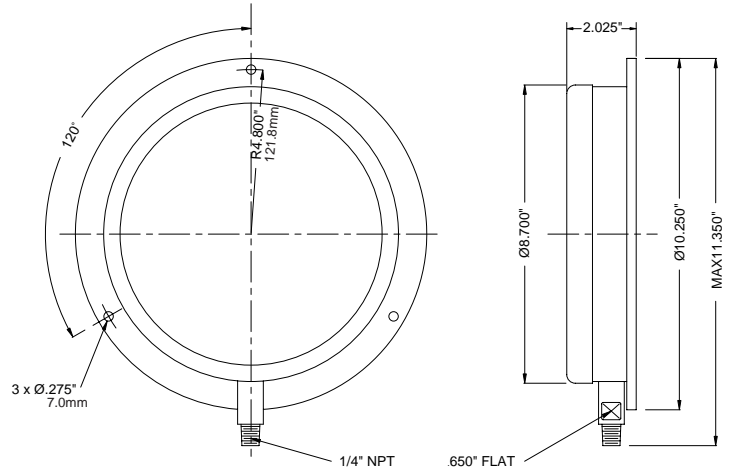
### 4" Back Connection



### 6" Bottom Connection



### 8 1/2" Bottom Connection



Corporate Office: 121 Railside Road • Toronto • ON • M3A 1B2 • (416) 444-2345 • Fax: (416) 444-8979

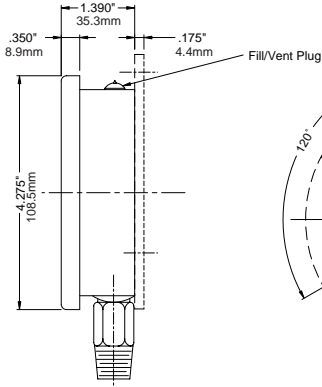
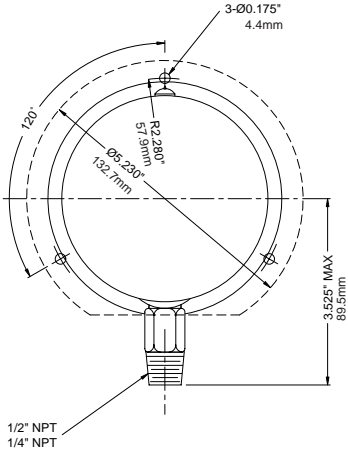
U.S.A. Office: 600 Ensminger Road • Buffalo • NY • 14150 • (716) 874-8700 • Fax: (716) 874-8800

[www.winters.com](http://www.winters.com) • 1-800-WINTERS (946-8377)

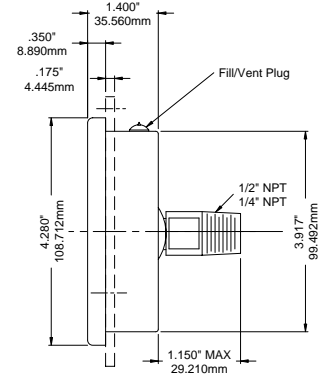
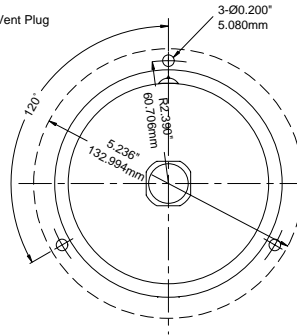
# Ammonia

## QUALITY AMMONIA GAUGE

4" Bottom Connection

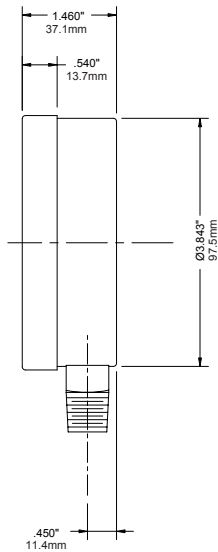
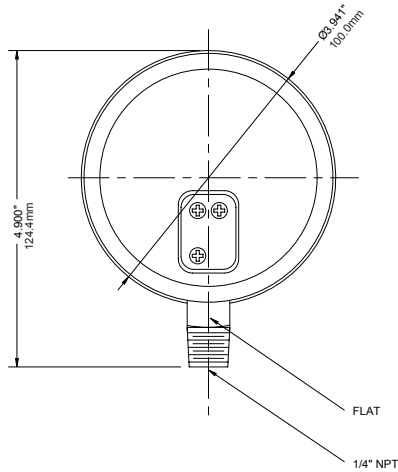


4" Back Connection

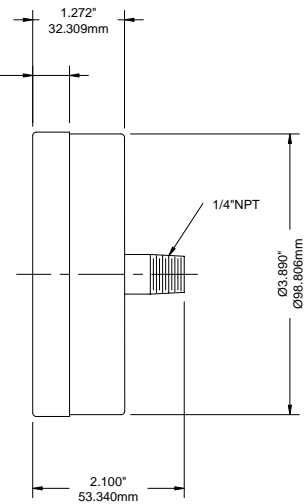
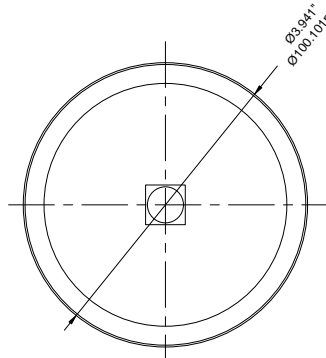


## ECONOMY AMMONIA GAUGE

4" Bottom Connection



4" Back Connection



Corporate Office: 121 Railside Road • Toronto • ON • M3A 1B2 • (416) 444-2345 • Fax: (416) 444-8979

U.S.A. Office: 600 Ensminger Road • Buffalo • NY • 14150 • (716) 874-8700 • Fax: (716) 874-8800

[www.winters.com](http://www.winters.com) • 1-800-WINTERS (946-8377)