

"QUALITY PUMPS SINCE 1939"

Product information presented here reflects conditions at time of publication. Consult factory regarding discrepancies or inconsistencies.

ZOELLER
PUMP CO.



SECTION: 3.10.004

FM1494

1005

Supersedes

0704

MAIL TO: P.O. BOX 16347 • Louisville, KY 40256-0347
SHIP TO: 3649 Cane Run Road • Louisville, KY 40211-1961
(502) 778-2731 • 1 (800) 928-PUMP • FAX (502) 774-3624

visit our web site:
www.zoeller.com

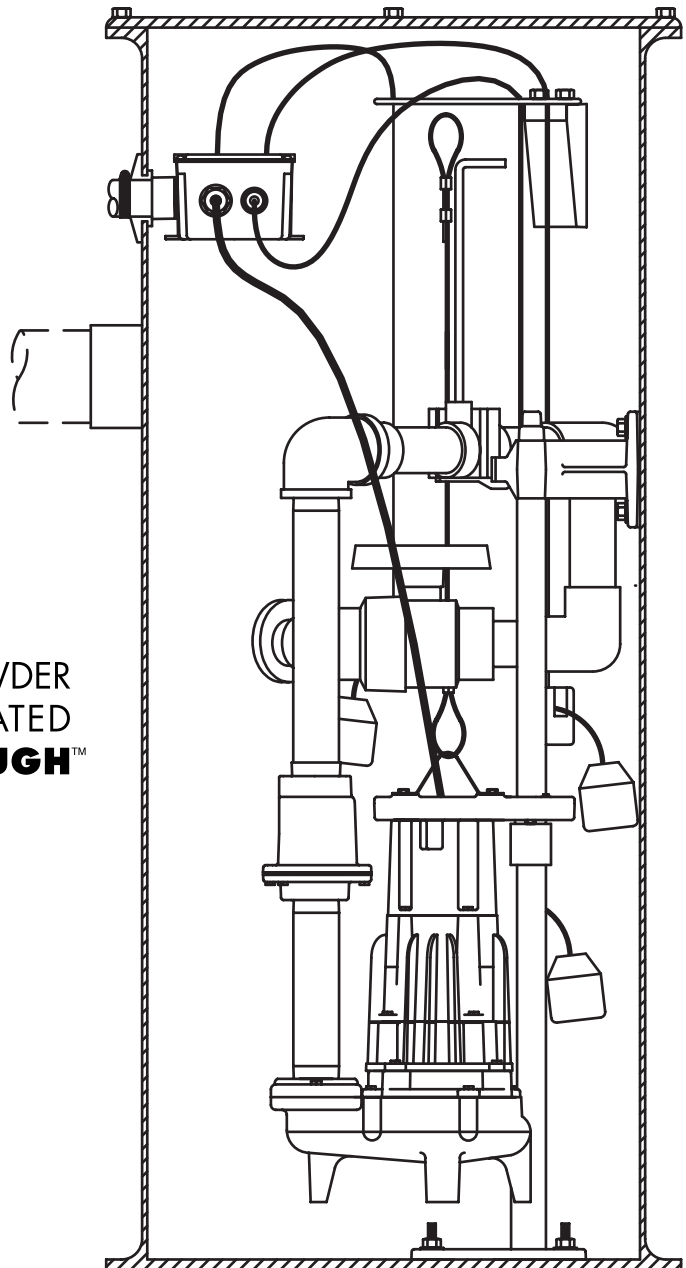


SEWAGE AND EFFLUENT SUBMERSIBLE PUMPS



PACKAGED SYSTEMS
SIMPLEX
DUPLEX

- **BASINS**
- **RAIL SYSTEMS**
- **CONTROLS**
- **ACCESSORIES**



Manufacturers of ...

"QUALITY PUMPS SINCE 1939"

SEWAGE AND EFFLUENT SYSTEM COMPONENTS

(A) SEWAGE & EFFLUENT PUMPS

STANDARD FEATURES:

- Cast Iron Construction
- Non-clog Vortex Impellers
- Submersible.
- Hermetically Sealed Oil-Filled Motors
- Carbon/Ceramic Shaft Seals
- Stainless Steel Nuts, Bolts and Lifting Handle
- Neoprene Gasket and Seals
- 1½" or 2" NPT Discharge
- Thermal Overload Protection - Single Phase
- UL Listed Power Cord
- Available with single or double seals.

OPTIONS:

- Longer Power Cords

(B) CONTROLS

SIMPLEX STANDARD FEATURES:

- Piggyback Float Switches with Qwik-Box connection for 115V & 230V, Single Phase pumps up to 13 Amps.
- Hard wired Connection with Junction Box and Double Float Switches on 208V and 230V Single Phase Pumps up to 15 Amps.
- Nema 4X Control Panel with Motor Contactor and HOA Switch for 208V and 230V Single Phase Pumps over 15 Amps. Includes Float Switches. See note (3) above.
- Nema 4X Control Panel with Alarm, Silence and Test Switch, Circuit Breakers, Motor Contactor and lockable latches on all 3 phase pump control panels

DUPLEX STANDARD FEATURES:

- Nema 4X Control Panel with alternator circuit. UL Listed
- HOA Switch and Run Light
- Audible Alarm and Test Switch
- Motor Contactor and Circuit Breakers
- Adjustable Overload for 3 Phase Pumps
- Auxiliary Contacts
- Lockable Latch

OPTIONS:

- Nema 1 or Nema 4X Alarm for Single Phase Simplex Systems
- Nema 1 Enclosure for indoor Duplex Systems
- 3 or 4 Float System for Duplex Alternator Panels

(C) VARIABLE LEVEL FLOAT SWITCHES

3 Switches with Weights and Brackets

- P/N 10-0329 WGT. 10.0

4 Switches with Weights and Brackets

- P/N 10-0330 WGT. 14.0

1 Weight and Bracket only

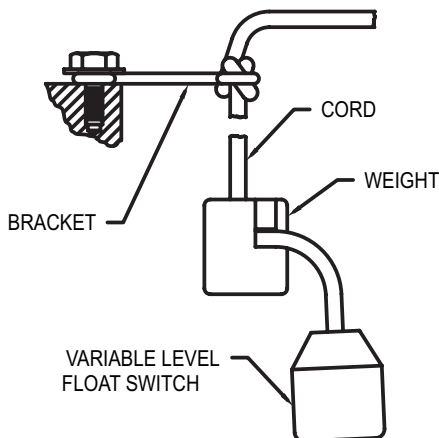
- P/N 10-0661 WGT. 2.0

3 Weights and Brackets only

- P/N 10-1366 WGT. 6.5

4 Weights and Brackets only

- P/N 10-1367 WGT. 8.5



SK1328

(D) JUNCTION BOXES - TYPE 4X

SIMPLEX

4 Holes with Seals for (1) Power Cord, (3) Float Switch Cords.

- P/N 10-0647 WGT. 2.5

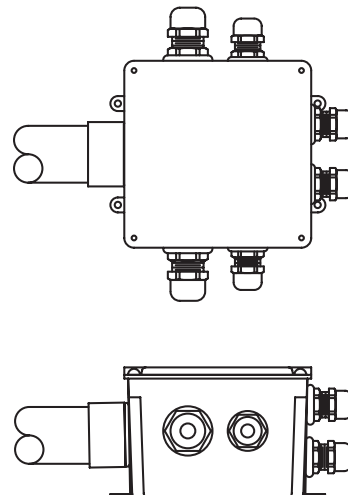
DUPLEX

5 Holes with Seals for (2) Power Cords, (3) Float Switch Cords.

- P/N 10-0648 WGT. 2.5

6 Holes with Seals for (2) Power Cords, (4) Float Switch Cords.

- P/N 10-0649 WGT. 2.5



SK1331

(E) RAIL SYSTEMS (FIELD INSTALLED)

(FIELD INSTALLED FITS BOTH ROUND AND SQUARE BASINS)

- 1½" or 2" Discharge Pipe
- Stainless Steel Square Guide Rail
- PVC Ball Valve
- Cast Iron Check Valve

1½" DISCHARGE

BASIN DEPTH

□ 48" P/N 39-0060	WGT. 91.5
□ 60" P/N 39-0061	WGT. 95.5
□ 72" P/N 39-0062	WGT. 99.5

2" DISCHARGE

BASIN DEPTH

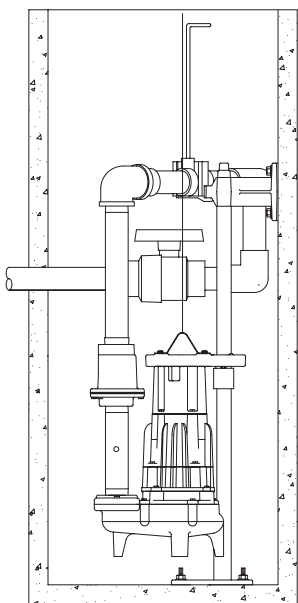
□ 48" P/N 39-0063	WGT. 92.5
□ 60" P/N 39-0064	WGT. 96.5
□ 72" P/N 39-0065	WGT. 100.5

280/4280 SERIES PUMP

(2" DISCHARGE)

BASIN DEPTH

□ 48" P/N 39-0066	WGT. 92.5
□ 60" P/N 39-0067	WGT. 96.5
□ 72" P/N 39-0068	WGT. 100.5



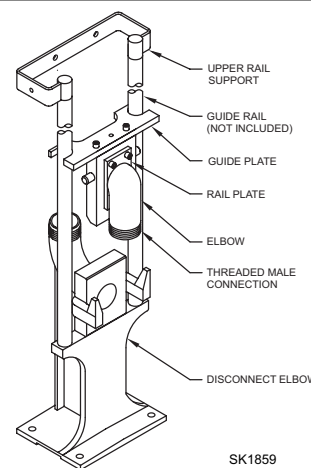
SK1650

E-Z out Rail System for 1½" & 2" pump discharges (Rail System discharge is 2" NPT male thread)

- 1½" Galvanized Fitted**
□ P/N 39-0085 WGT. 43.0
- 1½" Stainless Steel Fitted**
□ P/N 39-0086 WGT. 43.0
- 2" Galvanized Fitted**
□ P/N 39-0083 WGT. 45.0
- 2" Stainless Steel Fitted**
□ P/N 39-0084 WGT. 45.0

Intermediate Stabilizer Bracket for every 12' of depth.

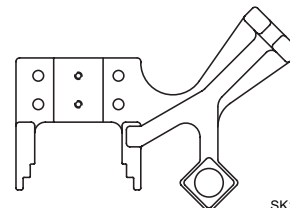
- Galvanized**
□ P/N 39-0089 WGT. 6.0
- Stainless Steel**
□ P/N 39-0090 WGT. 6.0



SK1859

Basins over 72" deep require one additional angle arm bracket.

- P/N 39-0070 WGT. 11.0



SK1626

(F) PRE-ASSEMBLED OUTDOOR BASIN, COVER, AND RAIL SYSTEM - STANDARD EQUIPMENT

- Fiberglass Basin with Anti-flotation Ring
- 1½" or 2" Discharge Pipe
- Stainless Steel Square Guide Rail
- PVC Ball Valve
- Cast Iron Check Valve
- 4" Cast Iron Inlet Hub
- Fiberglass Cover

SIMPLEX

(1½" DISCHARGE)

□ 24" x 60"	P/N 33-0064	WGT. 209
□ 24" x 72"	P/N 33-0065	WGT. 223
□ 24" x 84"	P/N 33-0066	WGT. 254
□ 24" x 96"	P/N 33-0067	WGT. 267

(2" DISCHARGE)

□ 24" x 60"	P/N 33-0104	WGT. 210
□ 24" x 72"	P/N 33-0105	WGT. 224
□ 24" x 84"	P/N 33-0106	WGT. 255
□ 24" x 96"	P/N 33-0107	WGT. 268

280/4280 PUMP SERIES (2" DISCHARGE)

□ 24" x 60"	P/N 33-0144	WGT. 210
□ 24" x 72"	P/N 33-0145	WGT. 224
□ 24" x 84"	P/N 33-0146	WGT. 255
□ 24" x 96"	P/N 33-0147	WGT. 268

DUPLEX

(1½" DISCHARGE)

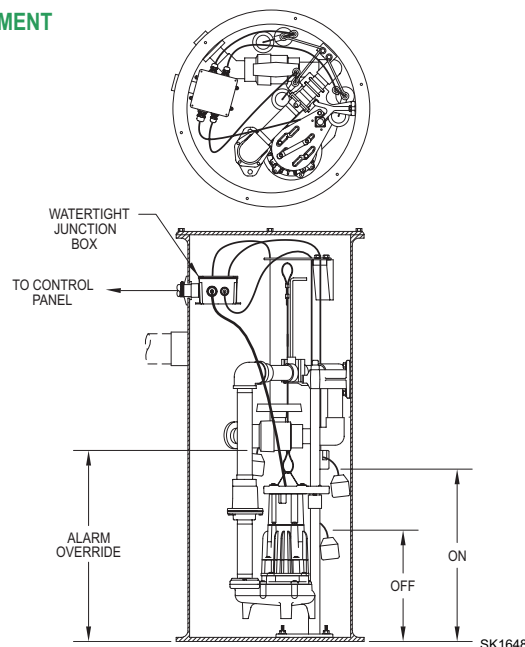
□ 36" x 60"	P/N 33-0078	WGT. 432
□ 36" x 72"	P/N 33-0079	WGT. 515
□ 36" x 84"	P/N 33-0080	WGT. 542
□ 36" x 96"	P/N 33-0081	WGT. 568

(2" DISCHARGE)

□ 36" x 60"	P/N 33-0118	WGT. 434
□ 36" x 72"	P/N 33-0119	WGT. 517
□ 36" x 84"	P/N 33-0120	WGT. 542
□ 36" x 96"	P/N 33-0121	WGT. 570

280/4280 PUMP SERIES (2" DISCHARGE)

□ 36" x 60"	P/N 33-0158	WGT. 434
□ 36" x 72"	P/N 33-0159	WGT. 517
□ 36" x 84"	P/N 33-0160	WGT. 542
□ 36" x 96"	P/N 33-0161	WGT. 570



SK1648

(G) 115V ALARM SYSTEMS



OUTDOOR INSTALLATIONS

- NEMA 4X**
- P/N 10-0126 WGT. 11

INDOOR/OUTDOOR INSTALLATIONS

- P/N 10-0623 WGT. 5



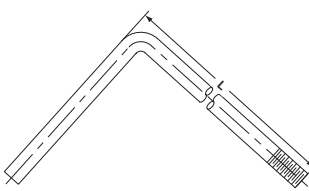
INDOOR INSTALLATIONS

- NEMA 1**
- P/N 10-1494 WGT. 4



(H) PULL RODS

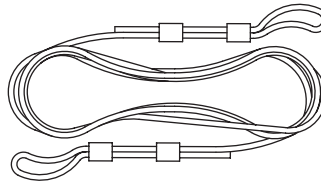
- 1 Ft. "L"
- P/N 39-0069 WGT. 0.5
- 2½ Ft. "L"
- P/N 39-0006 WGT. 1.0
- 3½ Ft. "L"
- P/N 39-0007 WGT. 1.5
- 4½ Ft. "L"
- P/N 39-0008 WGT. 1.5
- 5½ Ft. "L"
- P/N 39-0009 WGT. 2.0



005264

(I) SS LIFTING CABLE

- 8 Ft.
- P/N 39-0031 WGT. 1.0
- 12 Ft.
- P/N 39-0032 WGT. 1.0
- 16 Ft.
- P/N 39-0033 WGT. 1.5
- 20 Ft.
- P/N 39-0034 WGT. 1.5
- 24 Ft.
- P/N 39-0035 WGT. 2.0



SK1335

PREPACKAGED AND JOB READY SYSTEMS

SIMPLEX		DUPLEX	
REQ.		REQ.	
1 Pump	P/N _____ (A)	2 Pumps	P/N _____ (A)
1 Simplex Control	P/N _____ (B)	1 Duplex Control Panel	P/N _____ (B)
3 Weights and Brackets*	P/N 10-0661 (C)	1 Variable Level Float Switch	P/N _____ (C)
1 Variable Level Float Switch**	P/N 10-0329 (C)	1 Junction Box	P/N _____ (D)
1 Junction Box**	P/N 10-0647 (D)	1 Basin, Cover and Rail System	P/N _____ (F)
1 Basin, Cover and Rail System	P/N _____ (F)	2 Pull Rods	P/N _____ (H)
1 Alarm System***	P/N _____ (G)	2 Lifting Cables	P/N _____ (I)
1 Pull Rod	P/N _____ (H)		
1 Lifting Cable	P/N _____ (I)		

* Required when using a 10-0125 control panel.

** Required with all 3 phase systems.

*** Not required when using a simplex control panel.

FIELD ASSEMBLED SYSTEMS

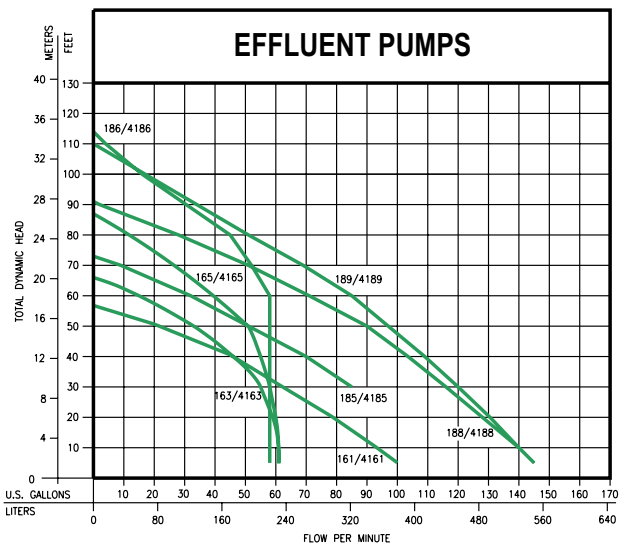
SIMPLEX		DUPLEX	
REQ.		REQ.	
1 Pump	P/N _____ (A)	2 Pumps	P/N _____ (A)
1 Simplex Control	P/N _____ (B)	1 Duplex Control Panel	P/N _____ (B)
3 Weights and Brackets*	P/N 10-0661 (C)	1 Variable Level Float Switch	P/N _____ (C)
1 Variable Level Float Switch**	P/N 10-0329 (C)	1 Junction Box	P/N _____ (D)
1 Junction Box**	P/N 10-0647 (D)	2 Rail Systems	P/N _____ (E)
1 Rail System	P/N _____ (E)	2 Angle Arm Brackets****	P/N 39-0070 (E)
1 Angle Arm Bracket****	P/N 39-0070 (E)	2 Pull Rods	P/N _____ (H)
1 Alarm System***	P/N _____ (G)	2 S.S. Lifting Cables	P/N _____ (I)
1 Pull Rod	P/N _____ (H)		
1 S.S. Lifting Cable	P/N _____ (I)		

* Required when using a 10-0125 control panel.

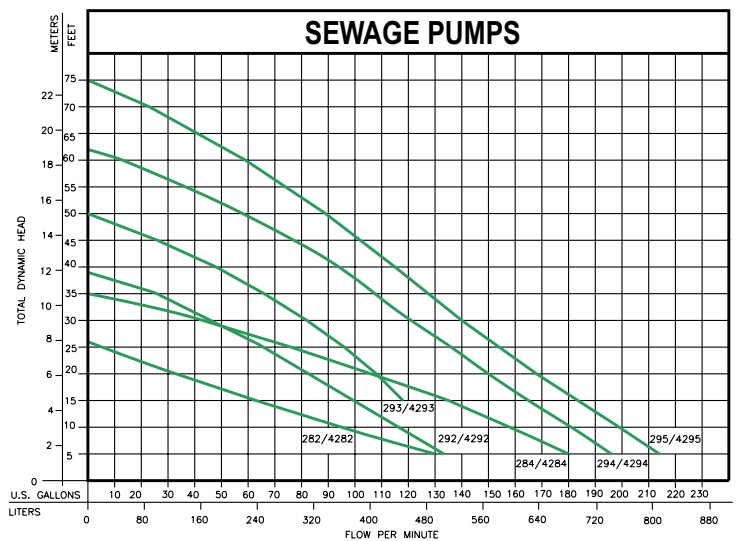
** Required with all 3 phase systems.

*** Not required when using a simplex control panel.

**** Required for basin over 72" deep.



010740



010739