

Syphons



CRN

Specifications

Material:	Schedule 40 steel coil (welded) or Schedule 40 304 stainless steel (seamless). Other materials and schedules available upon request.
Style:	180 degree coil
Connection:	1/4" NPT male x 1/4" NPT male or 1/2" NPT male x 1/2" NPT male. Other connections available upon request.
Maximum Operating Pressure:	<ul style="list-style-type: none"> • 1/4" NPT, schedule 40 welded is suitable for 175 psi at 340°F (171°C). • 1/4" or 1/2" NPT, schedule 40, any seamless material is good for a working pressure of 500 psi at 680°F (360°C). • 1/4" or 1/2" NPT, schedule 80, any seamless material is good for a working pressure of 1650 psi at 630°F (332°C). • 1/2" NPT, double extra schedule, any seamless material is good for a working pressure of 3200 psi at 1100°F (548°C).

Description

Winters' Syphons are recommended for applications involving temperatures above +100°F (+37°C). On steam service, the syphon will prevent hot steam from entering a pressure gauge, diaphragm seal or transmitter. Winters' Syphons are available in steel for non-corrosive applications and stainless steel for corrosive applications.

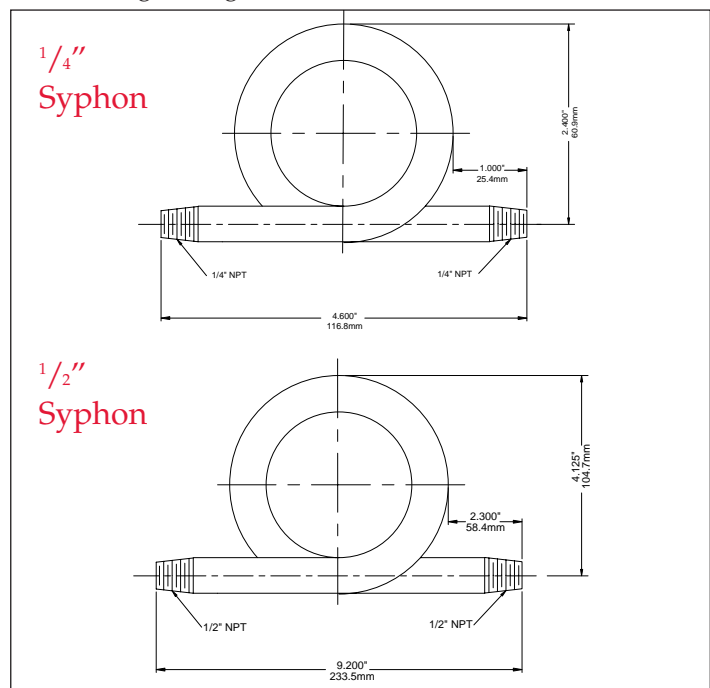
How to order: Specify product code:

PRODUCT CODES

Material	Connection	Code
Sched. 40 Brass	1/4" NPT	A545
Sched. 40 Brass	1/2" NPT	A559
Sched. 40 Steel (welded)	1/4" NPT	A525
Sched. 40 Steel	1/2" NPT	A555
Sched. 40 304 St/St	1/4" NPT	A535
Sched. 40 304 St/St	1/2" NPT	A585
Sched. 40 316 St/St	1/4" NPT	A554
Sched. 40 316 St/St	1/2" NPT	A557
Sched. 80 Carbon Steel	1/4" NPT	A556
Sched. 80 304 St/St	1/4" NPT	A595

Options: (All syphons are seamless except for the A525 which is welded)

- 316 Stainless steel and brass
- Schedule 80, schedule 160 and Double Extra (all materials)
- 45 degree angle



Corporate Office: 121 Railside Road • Toronto • ON • M3A 1B2 • (416) 444-2345 • Fax: (416) 444-8979

U.S.A. Office: 600 Ensminger Road • Buffalo • NY • 14150 • (716) 874-8700 • Fax: (716) 874-8800

www.winters.com • 1-800-WINTERS (946-8377)