

Models 1 and 2 Brass Safety Valves

KUNKLE

ASME Section VIII, Air/Gas or Steam, 'UV' National Board Certified

Features

- **Compact assembly** allows minimum space requirements.
- **Precision lapped, metal-to-metal beveled seat** provides premium shutoff.
- **Adjustable blowdown** for precise opening, with minimum preopen or simmer, and exact blowdown control.
- **Top or side outlet** available.

Model Descriptions

Model 1 - Top Outlet

Model 2 - Side Outlet

Applications

- Air and non-hazardous gas service.
- Air/Gas Compressors - portable or stationary.
- Pressure Vessels - including tanks, receivers, intercoolers, aftercoolers.
- Steam turbines, kettles, other steam-processing equipment.

Options

- Nickel plating for use on institutional equipment. (Variation 03)
- Vibration dampener on lift lever. (Variation 02)

Pressure and Temperature Limits

5 to 250 psig
-60° to 406°F



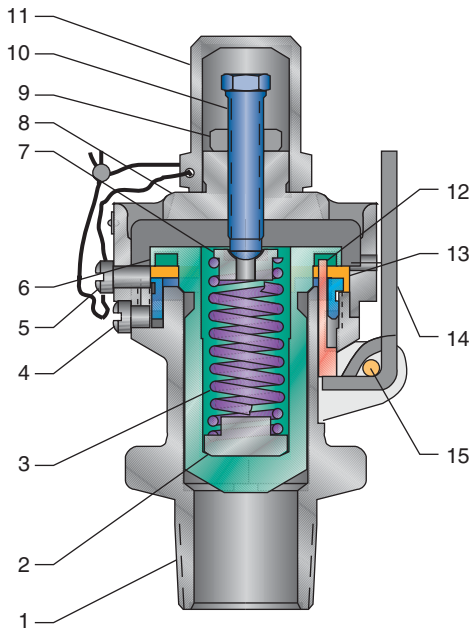
tyco / Flow Control

Total Flow Control Solutions™

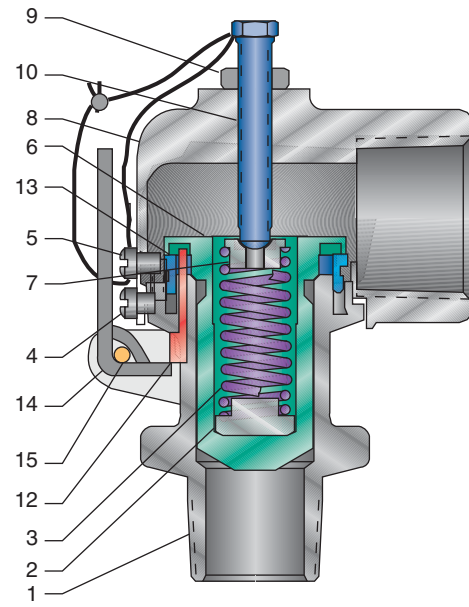
Kunkle is either a trademark or registered trademark of Tyco International Services AG or its affiliates in the United States and/or other countries. All other brand names, product names, or trademarks belong to their respective holders.

Models 1 and 2 Brass Safety Valves

Parts and Materials



Model 1 (top outlet)



Model 2 (side outlet)

Models 1 and 2

No.	Part Name	1 and 2
1	Body	Brass SB283-485
2	Bottom Spring Step	Brass B16
3	Spring	Steel A231
4	Body Lock Screw	SS Commercial
5	Regulator Ring Lock Screw	SS Commercial
6	Disc	Brass SB283-485
7	Top Spring Step	Brass B16
8	Bonnet	Brass SB283-485
9	Jam Nut	SS 18-8
10	Compression Screw	Brass B16
11	Cap	Brass B16
12	Lift Pin	Brass B16
13	Regulator Ring	Brass B16
14	Lever	Steel 1070
15	Rivet	Brass Commercial

Models 1 and 2 Brass Safety Valves

Capacities for Non-code¹ and ASME Section VIII Air, (SCFM) at 60°F

Set Pressure (psig)	1/2" and 3/4"	1"
5 psig	27	46
10 psig	37	64
15 psig	47	80
20 psig	54	92
25 psig	60	103
30 psig	67	114
35 psig	74	126
40 psig	80	137
45 psig	87	148
50 psig	93	159
55 psig	99	170
60 psig	105	180
65 psig	111	191
70 psig	116	200
75 psig	122	210
80 psig	127	219
85 psig	132	228
90 psig	137	237
95 psig	142	246
100 psig	146	254
105 psig	151	262
110 psig	155	269
115 psig	159	277
120 psig	163	284
125 psig	167	291
130 psig	171	297
135 psig	174	303
140 psig	178	309
145 psig	181	315
150 psig	184	320
155 psig	187	326
160 psig	189	330
165 psig	192	335
170 psig	194	339
175 psig	197	343
180 psig	199	347
185 psig	201	350
190 psig	202	354
195 psig	204	357
200 psig	206	359
205 psig	207	361
210 psig	208	363
215 psig	207	361
220 psig	208	363
225 psig	210	365
230 psig	210	367
235 psig	211	368
240 psig	212	369
245 psig	213	370
250 psig	213	370

Capacities for Non-code¹ and ASME Section VIII Steam, (lb/h) at Saturated Steam Temperature

Set Pressure (psig)	1/2" and 3/4"	1"
5 psig	84	142
10 psig	115	195
15 psig	133	226
20 psig	152	258
25 psig	170	289
30 psig	187	320
35 psig	207	353
40 psig	225	385
45 psig	243	417
50 psig	261	448
55 psig	278	478
60 psig	295	507
65 psig	311	535
70 psig	327	563
75 psig	342	590
80 psig	357	616
85 psig	371	641
90 psig	385	666
95 psig	399	690
100 psig	411	713
105 psig	424	735
110 psig	436	757
115 psig	448	777
120 psig	459	797
125 psig	469	816
130 psig	480	835
135 psig	489	852
140 psig	499	869
145 psig	508	885
150 psig	516	900
155 psig	524	915
160 psig	532	928
165 psig	539	941
170 psig	546	953
175 psig	552	964
180 psig	558	975
185 psig	564	985
190 psig	569	993
195 psig	574	1002
200 psig	578	1009
205 psig	582	1015
210 psig	585	1021
215 psig	589	1026
220 psig	591	1030
225 psig	594	1034
230 psig	596	1036
235 psig	597	1038
240 psig	599	1039
245 psig	599	1039
250 psig	600	1039

Note

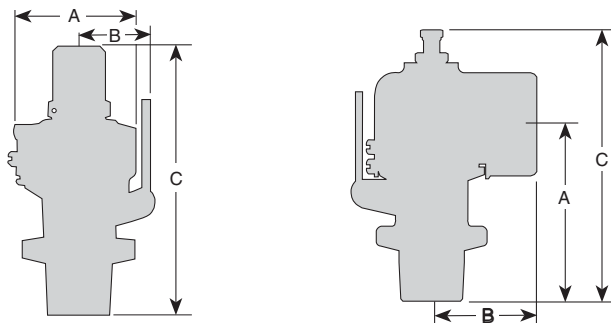
1. No code stamp of 'NB' on nameplate below 15 psig set.

Models 1 and 2 Brass Safety Valves

Specifications

Dimensions

Model	Inlet Size, in MNPT	Outlet Size, in FNPT	Dimensions, in			Min/Max Pressure (psig)	Min/Max Temperature (°F)	Approximate Weight (lb)
			A	B	C			
1	1/2 and 3/4	N/A	1.59	0.94	3.37	5/250	-60/406	3/4
1	1	N/A	2.22	1.25	4.47	5/250	-60/406	1 3/4
2	1/2 and 3/4	3/4	2.31	1.19	3.75	5/250	-60/406	1
2	1	1	3.09	1.82	5.00	5/250	-60/406	2 1/4



Model Number/Order Guide

Model Number Position

1	2	3	4	5	6	7	8	9	10	11	12	13	14	15
---	---	---	---	---	---	---	---	---	----	----	----	----	----	----

Example

0	0	0	1	-	C	0	1	-	K	C	0	1	2	5
---	---	---	---	---	---	---	---	---	---	---	---	---	---	---

Model

0001
0002

Inlet Size

C - 1/2-inch
D - 3/4-inch
E - 1-inch

Variation

01 - Catalog standard
02 - Vibration dampener
03 - Nickel plate

Design Revision

Indicates non-interchangeable revision. Dash (-) if original design.

Valve Service

K - Air/Gas ASME Section VIII
L - Steam ASME Section VIII
N - Non-code Air/Gas (<15 psig)
P - Non-code Steam (<15 psig)

Spring Material

C - Steel

Set Pressure

5 psig (0005) through 250 psig (0250)

Facility Phone: 828-669-3700

Tyco Valves & Controls

www.kunklevalve.com

Tyco Flow Control (TFC) provides the information herein in good faith but makes no representation as to its comprehensiveness or accuracy. This data sheet is intended only as a guide to TFC products and services. Individuals using this data sheet must exercise their independent judgment in evaluating product selection and determining product appropriateness for their particular purpose and system requirements. TFC MAKES NO REPRESENTATIONS OR WARRANTIES, EITHER EXPRESS OR IMPLIED, INCLUDING WITHOUT LIMITATION ANY WARRANTIES OF MERCHANTABILITY OR FITNESS FOR A PARTICULAR PURPOSE WITH RESPECT TO THE INFORMATION SET FORTH HEREIN OR THE PRODUCT(S) TO WHICH THE INFORMATION REFERS. ACCORDINGLY, TFC WILL NOT BE RESPONSIBLE FOR DAMAGES (OF ANY KIND OR NATURE, INCLUDING INCIDENTAL, INDIRECT, OR CONSEQUENTIAL DAMAGES) RESULTING FROM THE USE OF OR RELIANCE UPON THIS INFORMATION. Patents and Patents Pending in the U.S. and foreign countries. Tyco reserves the right to change product designs and specifications without notice.