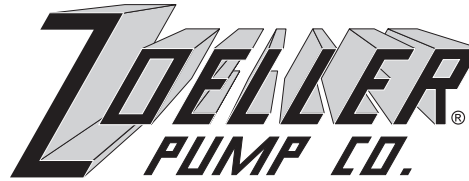


Product information presented here reflects conditions at time of publication. Consult factory regarding discrepancies or inconsistencies.



MAIL TO: P.O. BOX 16347 • Louisville, KY 40256-0347
SHIP TO: 3649 Cane Run Road • Louisville, KY 40211-1961
(502) 778-2731 • 1 (800) 928-PUMP • FAX (502) 774-3624

visit our web site:
www.zoeller.com

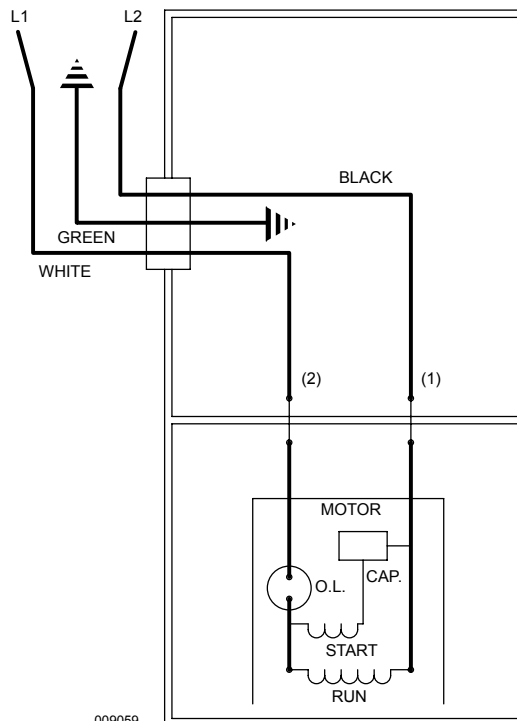
REPLACEMENT PARTS LIST FOR MODELS:

N151 NONAUTOMATIC 115V, BN151 AUTOMATIC 115V
E151 NONAUTOMATIC 230V, BE151 AUTOMATIC 230V
N152 NONAUTOMATIC 115V, BN152 AUTOMATIC 115V
E152 NONAUTOMATIC 230V, BE152 AUTOMATIC 230V
N153 NONAUTOMATIC 115V, BN153 AUTOMATIC 115V
E153 NONAUTOMATIC 230V, BE153 AUTOMATIC 230V

TO ORDER REPLACEMENT PARTS:

PLEASE FURNISH THE FOLLOWING INFORMATION:

- Model Number.
- Part Number of Pump.
- Part Number and Description of part.



009059
WIRING DIAGRAM FOR MODELS
"N/BN151-A & B", "E/BE151-A & B" 05/02 thru Current and
"N/BN152-A & B", "E/BE152-A & B" and
"N/BN153-A & B", "E/BE153-A & B"
07/00 thru Current

REPLACEMENT PARTS LIST FOR MODEL "N151"

MODEL:						N151-A	N151-B
REF. NO.	DESCRIPTION	QTY.	NOTES	05/02 thru xx/xx	xx/xx thru Current		
1	• GASKET,CASE/COVER	1		034046	034046		
2	• CLAMP,STRAIN RELIEF-#2F	1		004200	004200		
3	• SEAL,CORD-ASM	1		004322	004322		
4	• CORD TERM&SEAL 115V/20'/18-3 SJTW/15A PLUG	1		014530	014530		
5	• SCREW,STATOR 8-32 X 2.13"LG	2		015133	015133		
6	STATOR W-SCREWS 115V/1PH/.33HP/"151"	1		016924	018183		
7	ROTOR & BEARING ASM 115/230V/1PH/.33HP/"151"	1		017061	018184		
8	• SEAL,MTR HSG	1		034007	034007		
9	BEARING, RADIAL	1		015355	009540		
10	• OIL,DIELECTRIC-(30.5 OZ)	1		007051	007051		
11	HOUSING,PUMP-MACH "151"	1		015080	018202		
12	• SEAL ASM,SHAFT/.5"(JOHN CRANE TYPE 6A)"/140/270"	1		011681	011681		
13	IMPELLER-PLASTIC "151"	1		015147	015147		
14	BASE ASM "53/55"	1		002690	002690		
15	COVER & HANDLE "97"	1		002580	002580		
16	• PLUG,TEST-WHITE	2		034090	034090		
17	• SCREW,#10-24 X.75 RHM-SL SS	16		001885	001885		
18	• SCREW,#6-32X.25RHM SL TC	1		001877	001877		
19	• SEAL,THRU WALL TERM	2		003402	003402		
20	HOUSING,MTR-& TERM ASM "50"	1		004712	004712		
▫	REBUILD KIT 230V/"151"	1		017062	017062		

REPLACEMENT PARTS LIST FOR MODEL "BN151"

MODEL:						BN151-A	BN151-B
REF. NO.	DESCRIPTION	QTY.	NOTES	05/02 thru xx/xx	xx/xx thru Current		
1	• GASKET,CASE/COVER	1		034046	034046		
2	• CLAMP,STRAIN RELIEF-#2F	1		004200	004200		
3	• SEAL,CORD-ASM	1		004322	004322		
4	• CORD TERM&SEAL 115V/20'/18-3 SJTW/15A PLUG	1		014530	014530		
5	• SCREW,STATOR 8-32 X 2.13"LG	2		015133	015133		
6	STATOR W-SCREWS 115V/1PH/.33HP/"151"	1		016924	018183		
7	ROTOR & BEARING ASM 115/230V/1PH/.33HP/"151"	1		017061	018184		
8	• SEAL,MTR HSG	1		034007	034007		
9	BEARING, RADIAL	1		015355	009540		
10	• OIL,DIELECTRIC-(30.5 OZ)	1		007051	007051		
11	HOUSING,PUMP-MACH "151"	1		015080	018202		
12	• SEAL ASM,SHAFT/.5"(JOHN CRANE TYPE 6A)"/140/270"	1		011681	011681		
13	IMPELLER-PLASTIC "151"	1		015147	015147		
14	BASE ASM "53/55"	1		002690	002690		
15	COVER & HANDLE "97"	1		002580	002580		
16	• PLUG,TEST-WHITE	2		034090	034090		
17	• SCREW,#10-24 X.75 RHM-SL SS	16		001885	001885		
18	• SCREW,#6-32X.25RHM SL TC	1		001877	001877		
19	• SEAL,THRU WALL TERM	2		003402	003402		
20	HOUSING,MTR-& TERM ASM "50"	1		004712	004712		
21	SWITCH,MECH FLT/SPB/115V/20'CD/13AMP/.5HP/N.O.	1		009819	009819		
▫	REBUILD KIT 230V/"151"	1		017062	017062		

NOTES :

- 1) See FM0160 Parts Price Sheet for listing of parts prices.
- 2) "NA" indicates, not applicable.

• Items included in Rebuild Kit. ▫ Not shown in illustration. SEE NOTES AT RIGHT.

REPLACEMENT PARTS LIST FOR MODEL "E151"

			MODEL:	E151-A	E151-B
REF. NO.	DESCRIPTION	QTY.	NOTES	05/02 thru xx/xx	xx/xx thru Current
1	• GASKET,CASE/COVER	1		034046	034046
2	• CLAMP,STRAIN RELIEF-#2F	1		004200	004200
3	• SEAL,CORD-ASM	1		014597	014597
4	• CORD TERM&SEAL 230V/20'/18-3 SOW/15A PLUG	1		014531	014531
5	• SCREW,STATOR 8-32 X 2.13"LG	2		015133	015133
6	STATOR W-SCREWS 230V/1PH/.33HP/"151"	1		017066	018185
7	ROTOR & BEARING ASM 115/230V/1PH/.33HP/"151"	1		017061	018184
8	• SEAL,MTR HSG	1		034007	034007
9	BEARING, RADIAL	1		015355	009540
10	• OIL,DIELECTRIC-(30.5 OZ)	1		007051	007051
11	HOUSING,PUMP-MACH "151"	1		015080	018202
12	• SEAL ASM,SHAFT/.5"(JOHN CRANE TYPE 6A)"/140/270"	1		011681	011681
13	IMPELLER-PLASTIC "151"	1		015147	015147
14	BASE ASM "53/55"	1		002690	002690
15	COVER & HANDLE "97"	1		002580	002580
16	• PLUG,TEST-WHITE	2		034090	034090
17	• SCREW,#10-24 X.75 RHM-SL SS	16		001885	001885
18	• SCREW,#6-32X.25RHM SL TC	1		001877	001877
19	• SEAL,THRU WALL TERM	2		003402	003402
20	HOUSING,MTR-& TERM ASM "50"	1		004712	004712
▫	REBUILD KIT 230V/"151"	1		017063	017063

REPLACEMENT PARTS LIST FOR MODEL "BE151"

			MODEL:	BE151-A	BE151-B
REF. NO.	DESCRIPTION	QTY.	NOTES	05/02 thru xx/xx	xx/xx thru Current
1	• GASKET,CASE/COVER	1		034046	034046
2	• CLAMP,STRAIN RELIEF-#2F	1		004200	004200
3	• SEAL,CORD-ASM	1		014597	014597
4	• CORD TERM&SEAL 230V/20'/18-3 SOW/15A PLUG	1		014531	014531
5	• SCREW,STATOR 8-32 X 2.13"LG	2		015133	015133
6	STATOR W-SCREWS 230V/1PH/.33HP/"151"	1		017066	018185
7	ROTOR & BEARING ASM 115/230V/1PH/.33HP/"151"	1		017061	018184
8	• SEAL,MTR HSG	1		034007	034007
9	BEARING, RADIAL	1		015355	009540
10	• OIL,DIELECTRIC-(30.5 OZ)	1		007051	007051
11	HOUSING,PUMP-MACH "151"	1		015080	018202
12	• SEAL ASM,SHAFT/.5"(JOHN CRANE TYPE 6A)"/140/270"	1		011681	011681
13	IMPELLER-PLASTIC "151"	1		015147	015147
14	BASE ASM "53/55"	1		002690	002690
15	COVER & HANDLE "97"	1		002580	002580
16	• PLUG,TEST-WHITE	2		034090	034090
17	• SCREW,#10-24 X.75 RHM-SL SS	16		001885	001885
18	• SCREW,#6-32X.25RHM SL TC	1		001877	001877
19	• SEAL,THRU WALL TERM	2		003402	003402
20	HOUSING,MTR-& TERM ASM "50"	1		004712	004712
21	SWITCH,MECH FLT/SPB/230V/20'CD/15AMP/2HP	1		10-0559	10-0559
▫	REBUILD KIT 230V/"151"	1		017063	017063

NOTES :

- 1) See FM0160 Parts Price Sheet for listing of parts prices.
- 2) "NA" indicates, not applicable.

• Items included in Rebuild Kit. ▫ Not shown in illustration. SEE NOTES AT RIGHT.

REPLACEMENT PARTS LIST FOR MODEL "N152"

				MODEL:	N152-A	N152-B
REF. NO.	DESCRIPTION	QTY.	NOTES	07/00 thru xx/xx	xx/xx thru Current	
1	• Gasket, Case Cover	1		034046	034046	
2	• Clamp, Strain Relief-Red	1		004200	004200	
3	• Seal, Cord Asm	1		004322	004322	
4	Cord Term & Seal 20'	1		014530	014530	
5	• Screw, #8-32x2.563 Rhpl-Stlbo	2		001914	001914	
6	Stator w/Screws	1		014532	018177	
7	Rotor Asm 115/230V/1Ph	1		014536	018181	
8	• Seal, Motor Housing	1		034007	034007	
9	Bearing, Radial	1		009540	009540	
10	• Oil, Dielectric (30.5 oz can)	1		007051	007051	
11	Housing, Pump-Mach	1		014229	018202	
12	• Seal Asm	1		011681	011681	
13	Impeller	1		013243	013243	
14	Base-Mach	1		014230	018163	
15	Cover Handle	1		002580	002580	
16	• Plug, Test-White	2		034090	034090	
17	• Screw #10-24x.75 RHM-SI SS	12		001885	001885	
18	• Screw #6-32x.25 RHM SI Tc Stlgr	1		001877	001877	
19	• Seal, Thru-Wall Term	2		003402	003402	
20	Housing, Motor	1		004712	004712	
21	Float Switch	1	2	N/A	N/A	
▣	Rebuild Kit	1		014538	014538	

REPLACEMENT PARTS LIST FOR MODEL "BN152"

				MODEL:	BN152-A	BN152-B
REF. NO.	DESCRIPTION	QTY.	NOTES	11/00 thru xx/xx	xx/xx thru Current	
1	• Gasket, Case Cover	1		034046	034046	
2	• Clamp, Strain Relief-Red	1		004200	004200	
3	• Seal, Cord Asm	1		004322	004322	
4	Cord Term & Seal 20'	1		014530	014530	
5	• Screw, #8-32x2.563 Rhpl-Stlbo	2		001914	001914	
6	Stator w/Screws	1		014532	018177	
7	Rotor Asm 115/230V/1Ph	1		014536	018181	
8	• Seal, Motor Housing	1		034007	034007	
9	Bearing, Radial	1		009540	009540	
10	• Oil, Dielectric (30.5 oz can)	1		007051	007051	
11	Housing, Pump-Mach	1		014229	018202	
12	• Seal Asm	1		011681	011681	
13	Impeller	1		013243	013243	
14	Base-Mach	1		014230	018163	
15	Cover Handle	1		002580	002580	
16	• Plug, Test-White	2		034090	034090	
17	• Screw #10-24x.75 RHM-SI SS	12		001885	001885	
18	• Screw #6-32x.25 RHM SI Tc Stlgr	1		001877	001877	
19	• Seal, Thru-Wall Term	2		003402	003402	
20	Housing, Motor	1		004712	004712	
21	Float Switch	1		009819	009819	
▣	Rebuild Kit	1		014538	014538	

NOTES :

- 1) See FM0160 Parts Price Sheet for listing of parts prices.
- 2) "NA" indicates, not applicable.

• Items included in Rebuild Kit. ▣ Not shown in illustration. SEE NOTES AT RIGHT.

REPLACEMENT PARTS LIST FOR MODEL "E152"

MODEL:						E152-A	E152-B
REF. NO.	DESCRIPTION	QTY.	NOTES	04/01 thru xx/xx	xx/xx thru Current		
1	• Gasket, Case Cover	1		034046	034046		
2	• Clamp, Strain Relief-Red	1		004200	004200		
3	• Seal, Cord Asm	1		014597	014597		
4	Cord Term & Seal 20'	1		014531	014531		
5	• Screw, #8-32x2.563 Rhpl-Stlbo	2		001914	001914		
6	Stator w/Screws	1		014533	018178		
7	Rotor Asm 115/230V/1Ph	1		014536	018181		
8	• Seal, Motor Housing	1		034007	034007		
9	Bearing, Radial	1		009540	009540		
10	• Oil, Dielectric (30.5 oz can)	1		007051	007051		
11	Housing, Pump-Mach	1		014229	018202		
12	• Seal Asm	1		011681	011681		
13	Impeller	1		013243	013243		
14	Base-Mach	1		014230	018163		
15	Cover Handle	1		002580	002580		
16	• Plug, Test-White	2		034090	034090		
17	• Screw #10-24x.75 RHM-SI SS	12		001885	001885		
18	• Screw #6-32x.25 RHM SI Tc Stlgr	1		001877	001877		
19	• Seal, Thru-Wall Term	2		003402	003402		
20	Housing, Motor	1		004712	004712		
21	Float Switch	1	2	N/A	N/A		
⌘	Rebuild Kit	1		014539	014539		

REPLACEMENT PARTS LIST FOR MODEL "BE152"

MODEL:						BE152-A	BE152-B
REF. NO.	DESCRIPTION	QTY.	NOTES	02/01 thru xx/xx	xx/xx thru Current		
1	• Gasket, Case Cover	1		034046	034046		
2	• Clamp, Strain Relief-Red	1		004200	004200		
3	• Seal, Cord Asm	1		014597	014597		
4	Cord Term & Seal 20'	1		014531	014531		
5	• Screw, #8-32x2.563 Rhpl-Stlbo	2		001914	001914		
6	Stator w/Screws	1		014533	018178		
7	Rotor Asm 115/230V/1Ph	1		014536	018181		
8	• Seal, Motor Housing	1		034007	034007		
9	Bearing, Radial	1		009540	009540		
10	• Oil, Dielectric (30.5 oz can)	1		007051	007051		
11	Housing, Pump-Mach	1		014229	018202		
12	• Seal Asm	1		011681	011681		
13	Impeller	1		013243	013243		
14	Base-Mach	1		014230	018163		
15	Cover Handle	1		002580	002580		
16	• Plug, Test-White	2		034090	034090		
17	• Screw #10-24x.75 RHM-SI SS	12		001885	001885		
18	• Screw #6-32x.25 RHM SI Tc Stlgr	1		001877	001877		
19	• Seal, Thru-Wall Term	2		003402	003402		
20	Housing, Motor	1		004712	004712		
21	Float Switch	1		10-0559	10-0559		
⌘	Rebuild Kit	1		014539	014539		

NOTES :

- 1) See FM0160 Parts Price Sheet for listing of parts prices.
- 2) "NA" indicates, not applicable.

• Items included in Rebuild Kit. ⌘ Not shown in illustration. SEE NOTES AT RIGHT.

REPLACEMENT PARTS LIST FOR MODEL "N153"

				MODEL:	N153-A	N153-B
REF. NO.	DESCRIPTION	QTY.	NOTES	11/00 thru xx/xx	xx/xx thru Current	
1	• Gasket, Case Cover	1		034046	034046	
2	• Clamp, Strain Relief-Red	1		004200	004200	
3	• Seal, Cord Asm	1		004322	004322	
4	Cord Term & Seal 20'	1		014530	014530	
5	• Screw, #8-32x2.563 Rhpl-Stlbo	2		001914	001914	
6	Stator w/Screws	1		014534	018179	
7	Rotor Asm 115/230V/1Ph	1		014537	018182	
8	• Seal, Motor Housing	1		034007	034007	
9	Bearing, Radial	1		009540	009540	
10	• Oil, Dielectric (30.5 oz can)	1		007051	007051	
11	Housing, Pump-Mach	1		014229	018202	
12	• Seal Asm	1		011681	011681	
13	Impeller	1		014457	014457	
14	Base-Mach	1		014230	018163	
15	Cover Handle	1		002580	002580	
16	• Plug, Test-White	2		034090	034090	
17	• Screw #10-24x.75 RHM-SI SS	12		001885	001885	
18	• Screw #6-32x.25 RHM SI Tc Stlgr	1		001877	001877	
19	• Seal, Thru-Wall Term	2		003402	003402	
20	Housing, Motor	1		004712	004712	
21	Float Switch	1	2	N/A	N/A	
▣	Rebuild Kit	1		014538	014538	

REPLACEMENT PARTS LIST FOR MODEL "BN153"

				MODEL:	BN153-A	BN153-B
REF. NO.	DESCRIPTION	QTY.	NOTES	02/01 thru xx/xx	xx/xx thru Current	
1	• Gasket, Case Cover	1		034046	034046	
2	• Clamp, Strain Relief-Red	1		004200	004200	
3	• Seal, Cord Asm	1		004322	004322	
4	Cord Term & Seal 20'	1		014530	014530	
5	• Screw, #8-32x2.563 Rhpl-Stlbo	2		001914	001914	
6	Stator w/Screws	1		014534	018179	
7	Rotor Asm 115/230V/1Ph	1		014537	018182	
8	• Seal, Motor Housing	1		034007	034007	
9	Bearing, Radial	1		009540	009540	
10	• Oil, Dielectric (30.5 oz can)	1		007051	007051	
11	Housing, Pump-Mach	1		014229	018202	
12	• Seal Asm	1		011681	011681	
13	Impeller	1		014457	014457	
14	Base-Mach	1		014230	018163	
15	Cover Handle	1		002580	002580	
16	• Plug, Test-White	2		034090	034090	
17	• Screw #10-24x.75 RHM-SI SS	12		001885	001885	
18	• Screw #6-32x.25 RHM SI Tc Stlgr	1		001877	001877	
19	• Seal, Thru-Wall Term	2		003402	003402	
20	Housing, Motor	1		004712	004712	
21	Float Switch	1		009819	009819	
▣	Rebuild Kit	1		014538	014538	

NOTES :

- 1) See FM0160 Parts Price Sheet for listing of parts prices.
- 2) "NA" indicates, not applicable.

• Items included in Rebuild Kit. ▣ Not shown in illustration. SEE NOTES AT RIGHT.

REPLACEMENT PARTS LIST FOR MODEL "E153"

MODEL:						E153-A	E153-B
REF. NO.	DESCRIPTION	QTY.	NOTES	03/01 thru xx/xx	xx/xx thru Current		
1	• Gasket, Case Cover	1		034046	034046		
2	• Clamp, Strain Relief-Red	1		004200	004200		
3	• Seal, Cord Asm	1		014597	014597		
4	Cord Term & Seal 20'	1		014531	014531		
5	• Screw, #8-32x2.563 Rhpl-Stlbo	2		001914	001914		
6	Stator w/Screws	1		014535	018180		
7	Rotor Asm 115/230V/1Ph	1		014537	018182		
8	• Seal, Motor Housing	1		034007	034007		
9	Bearing, Radial	1		009540	009540		
10	• Oil, Dielectric (30.5 oz can)	1		007051	007051		
11	Housing, Pump-Mach	1		014229	018202		
12	• Seal Asm	1		011681	011681		
13	Impeller	1		014457	014457		
14	Base-Mach	1		014230	018163		
15	Cover Handle	1		002580	002580		
16	• Plug, Test-White	2		034090	034090		
17	• Screw #10-24x.75 RHM-SI SS	12		001885	001885		
18	• Screw #6-32x.25 RHM SI Tc Stlgr	1		001877	001877		
19	• Seal, Thru-Wall Term	2		003402	003402		
20	Housing, Motor	1		004712	004712		
21	Float Switch	1	2	N/A	N/A		
☐	Rebuild Kit	1		014539	014539		

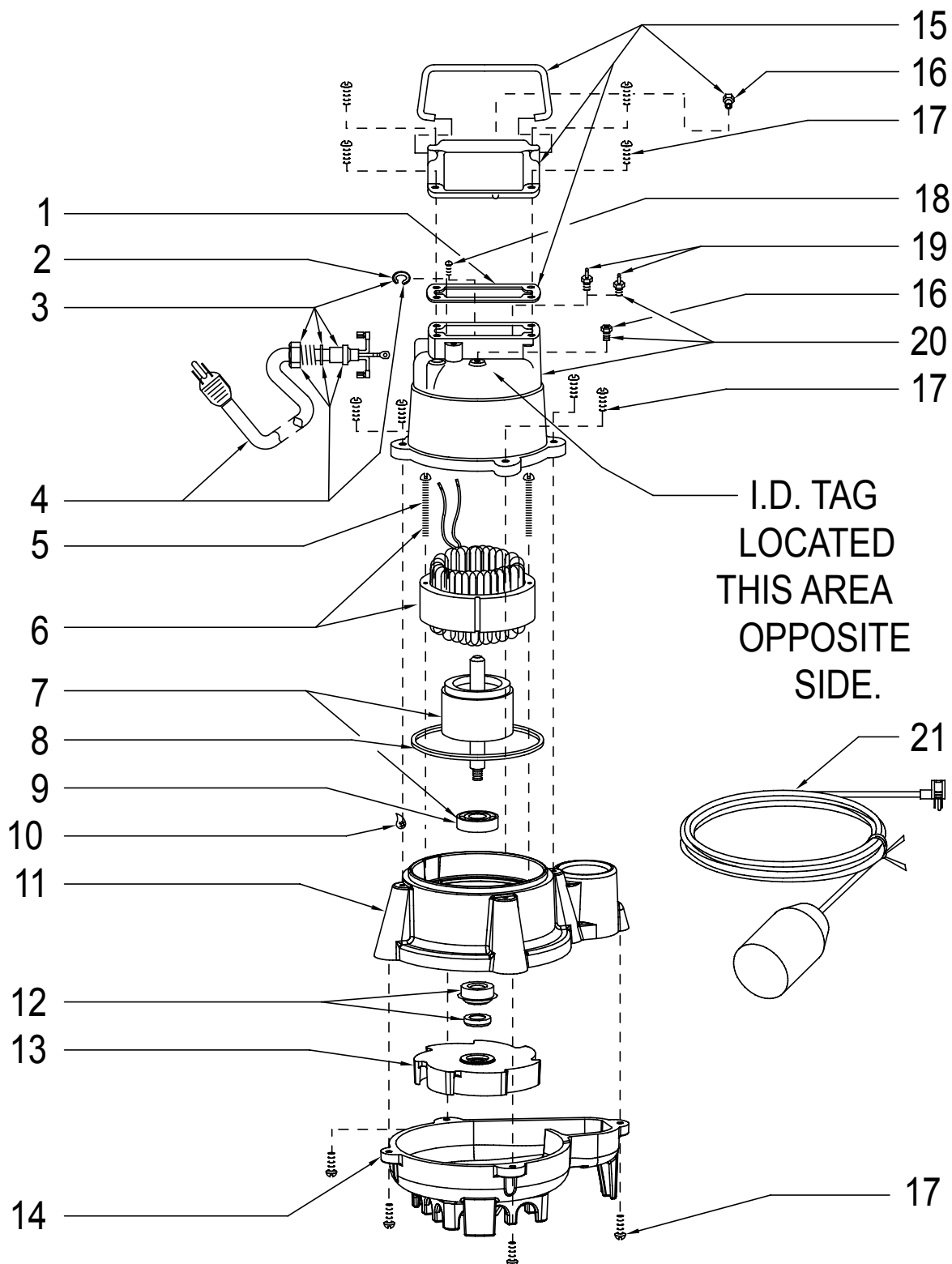
REPLACEMENT PARTS LIST FOR MODEL "BE153"

MODEL:						BE153-A	BE153-B
REF. NO.	DESCRIPTION	QTY.	NOTES	04/01 thru xx/xx	xx/xx thru Current		
1	• Gasket, Case Cover	1		034046	034046		
2	• Clamp, Strain Relief-Red	1		004200	004200		
3	• Seal, Cord Asm	1		014597	014597		
4	Cord Term & Seal 20'	1		014531	014531		
5	• Screw, #8-32x2.563 Rhpl-Stlbo	2		001914	001914		
6	Stator w/Screws	1		014535	018180		
7	Rotor Asm 115/230V/1Ph	1		014537	018182		
8	• Seal, Motor Housing	1		034007	034007		
9	Bearing, Radial	1		009540	009540		
10	• Oil, Dielectric (30.5 oz can)	1		007051	007051		
11	Housing, Pump-Mach	1		014229	018202		
12	• Seal Asm	1		011681	011681		
13	Impeller	1		014457	014457		
14	Base-Mach	1		014230	018163		
15	Cover Handle	1		002580	002580		
16	• Plug, Test-White	2		034090	034090		
17	• Screw #10-24x.75 RHM-SI SS	12		001885	001885		
18	• Screw #6-32x.25 RHM SI Tc Stlgr	1		001877	001877		
19	• Seal, Thru-Wall Term	2		003402	003402		
20	Housing, Motor	1		004712	004712		
21	Float Switch	1		10-0559	10-0559		
☐	Rebuild Kit	1		014539	014539		

NOTES :

- 1) See FM0160 Parts Price Sheet for listing of parts prices.
- 2) "NA" indicates, not applicable.

• Items included in Rebuild Kit. ☐ Not shown in illustration. SEE NOTES AT RIGHT.



SK2110



www.zoeller.com

ZOELLER
PUMP CO.

MAIL TO: P.O. BOX 16347
Louisville, KY 40256-0347
SHIP TO: 3649 Cane Run Road
Louisville, KY 40211-1961
(502) 778-2731 • 1 (800) 928-PUMP
FAX (502) 774-3624

Manufacturers of . .

"QUALITY PUMPS SINCE 1939"