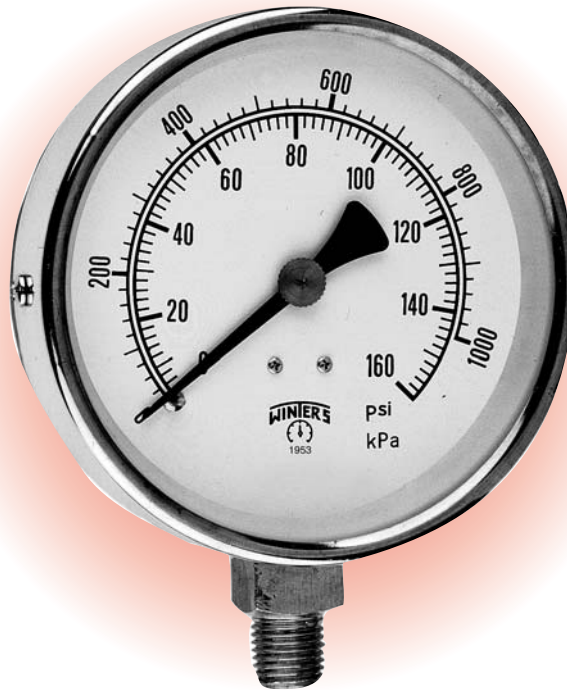


100 Series

CRN



Optional Back Flange



4" Dial, Centre Back



Description

The Winters' 100 Series Gauges are designed for applications that require reliable measurement of steam, water, oil or any media that have no corrosive effect on brass. These quality all-purpose gauges are available in a steel case or aluminum case and meet all standards of ASME B40.1-1991. The instrument is also, CRN registered.

This versatile instrument with an accuracy of 1.0% full scale is available in various dial sizes.

Specifications

Dial:	3 1/2" (90mm), 4" (100mm), 4 1/2" (115mm) and 6" (150mm), white aluminum dial
Case:	Steel 3 1/2" & 4" back - black steel - 4" & 6" bottom - others aluminum black
Lens:	3 1/2", 4 1/2" bottom connection, 6" glass - all others polycarbonate
Ring:	3 1/2" (90mm), 4" (100mm) and 4 1/2" (115mm) bottom connection, polished brass " (150mm) bottom connection steel painted black
Pointer:	Aluminum black, adjustable
Socket:	Brass
Connection:	1/4" NPT standard
Bourdon Tube:	Phosphor Bronze
Welding:	Silver alloy
Over-pressure Limit:	25% of full scale value
Working Pressure:	Maximum 75% of full scale value
Ambient Temperature:	-40°F to 150°F (-40°C to 65°C)
Process Temperature:	-40°F to 150°F (-40°C to 65°C)
Accuracy:	±1% (ANSI/ASME Grade 1A)
Protection:	IP 52



Corporate Office: 121 Railside Road • Toronto • ON • M3A 1B2 • (416) 444-2345 • Fax: (416) 444-8979

U.S.A. Office: 600 Ensminger Road • Buffalo • NY • 14150 • (716) 874-8700 • Fax: (716) 874-8800

www.winters.com • 1-800-WINTERS (946-8377)

100 Series

How to order: Specify product code PRODUCT CODES

Dial Size	3 1/2"(90mm)		4"(100mm)	4 1/2"(115mm)		6"(150mm)	
Case Material	Steel		Steel	Aluminum		Steel	Aluminum
Connection	Bottom	Centre Back	Centre Back	Bottom	Lower Back	Bottom	Lower Back
30" Hg. Vacuum/kPa	Q234	Q560	Q460	Q410	Q430	Q250	Q475
30"-0-15 psi/kPa	Q230	Q568	Q468	Q411	Q431	Q251C	Q476
30"-0-30 psi/kPa	Q231	Q569	Q469	Q412	Q432	Q252C	Q477
30"-0-60 psi/kPa	Q232	Q570	Q470	Q413	Q433	Q259C	Q478
30"-0-100 psi/kPa	Q233	Q571	Q471	Q414	Q434	Q253C	Q479
30"-0-160 psi/kPa	Q229	Q572	Q472	Q416	Q436	Q254C	Q480
30"-0-200 psi/kPa	*	Q573	*	Q417	Q437	Q255C	Q481
30"-0-300 psi/kPa	Q227	Q574	Q473	Q418	Q438	Q256C	Q482
0-15 psi/kPa	Q228	Q561	Q461	Q419	Q439	*	*
0-30 psi/kPa	Q235	Q562	Q462	Q420	Q440	Q251	Q483
0-60 psi/kPa	Q236	Q563	Q463	Q421	Q441	Q252	Q484
0-100 psi/kPa	Q237	Q564	Q464	Q422	Q442	Q253	Q485
0-160 psi/kPa	Q238	Q565	Q465	Q423	Q443	Q254	Q486
0-200 psi/kPa	Q239	Q566	Q466	Q424	Q444	Q255	Q487
0-300 psi/kPa	Q240	Q567	Q467	Q426	Q446	Q256	Q488
0-600 psi/kPa	*	*	*	Q490	*	*	*
0-1000 psi/kPa	*	*	*	Q491	*	*	*
0-3000 psi/kPa	*	*	*	Q492	*	*	*
0-5000 psi/kPa	*	*	*	Q493	*	*	*

- Other Options:**
- QBF = back flange, all sizes.
 - U-clamp available upon request.
 - Other connections available upon request.
 - Other ranges available upon request.
- (* Syphon recommended for all steam applications)



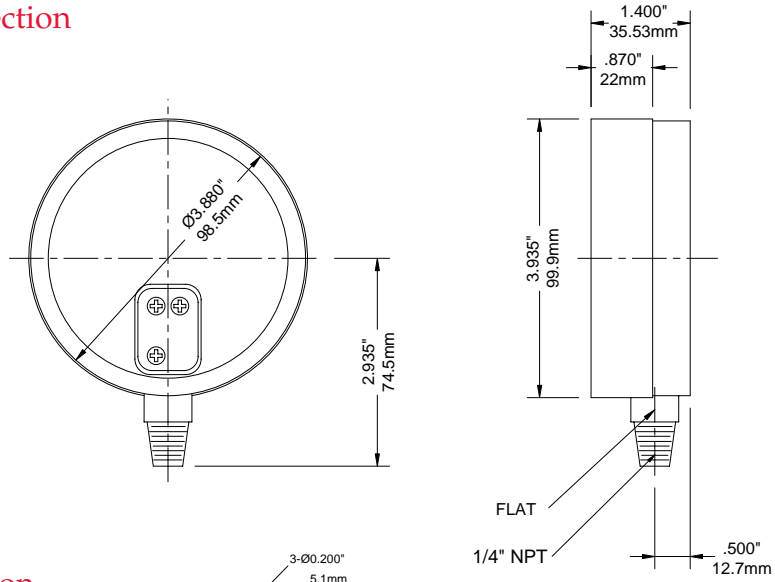
Corporate Office: 121 Railside Road • Toronto • ON • M3A 1B2 • (416) 444-2345 • Fax: (416) 444-8979

U.S.A. Office: 600 Ensminger Road • Buffalo • NY • 14150 • (716) 874-8700 • Fax: (716) 874-8800

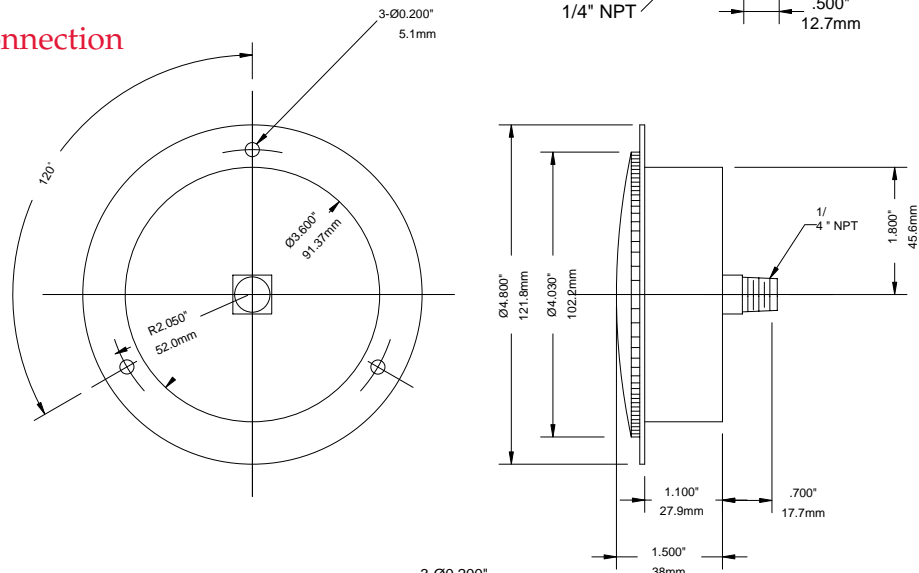
www.winters.com • 1-800-WINTERS (946-8377)

100 Series

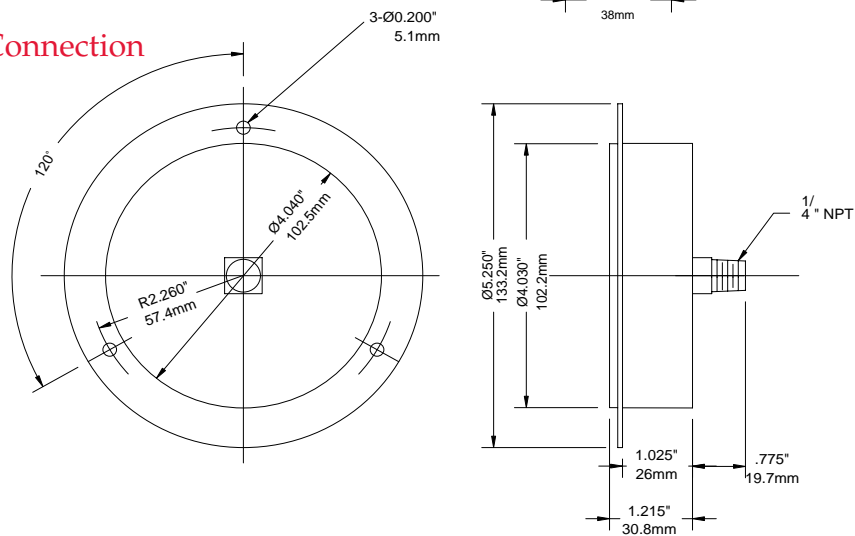
3 1/2" Bottom Connection



3 1/2" Back Connection



4" Centre Back Connection



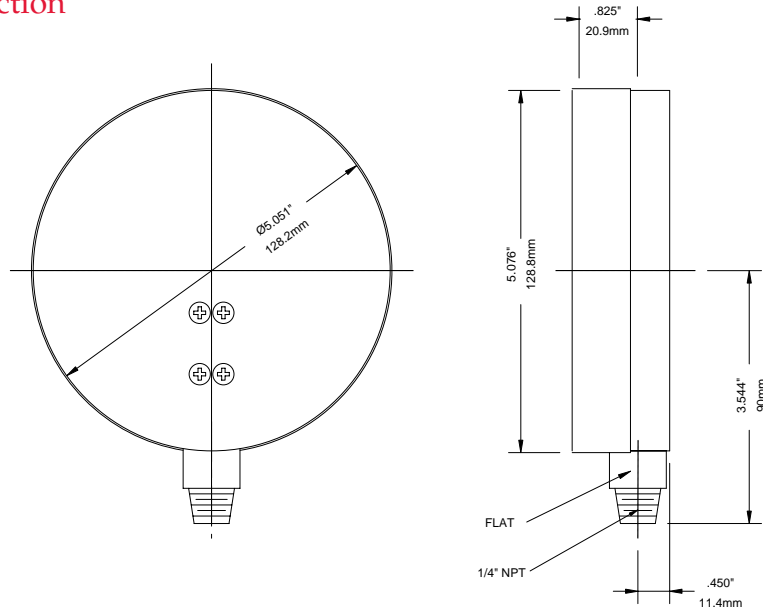
Corporate Office: 121 Railside Road • Toronto, ON, M3A 1B2 • 416-444-2345 • Fax: 416 444 8979

U.S.A. Office: 600 Ensminger Road • Buffalo, NY, 14150 • 716 874 8700 • Fax: 716-874-8800

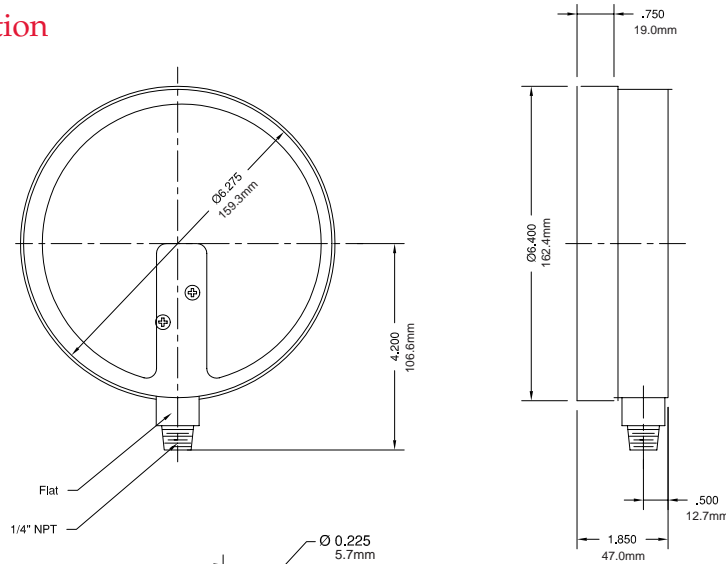
www.winters.com • 1-800-WINTERS (946-8377)

100 Series

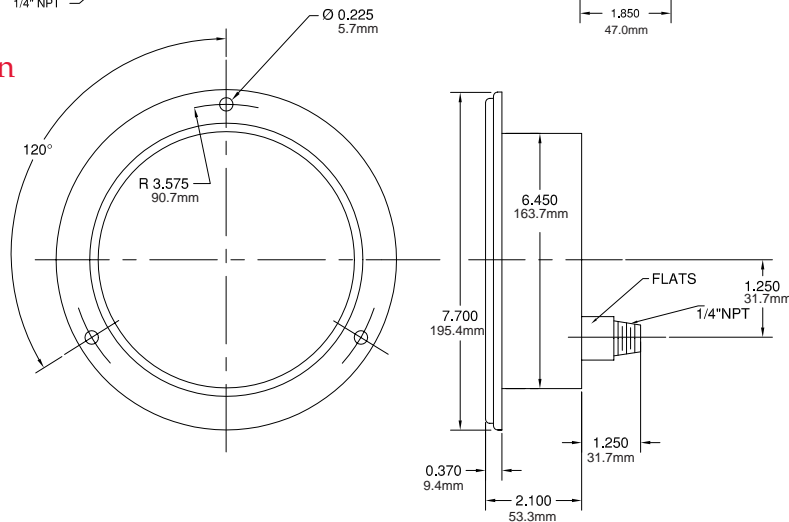
4 1/2" Bottom Connection



6" Bottom Connection



6" Back Connection



Corporate Office: 121 Railside Road • Toronto • ON • M3A 1B2 • (416) 444-2345 • Fax: (416) 444-8979

U.S.A. Office: 600 Ensminger Road • Buffalo • NY • 14150 • (716) 874-8700 • Fax: (716) 874-8800

www.winters.com • 1-800-WINTERS (946-8377)