

Welding

CRN



0-4000 psi/kPa



New Size!

Description

Winters' Welding Gauges are designed for oxygen and acetylene service on welding tank regulators. The high pressure gauge measures the tank pressure while the lower pressure gauges measure the regulated operating pressure. In accordance with U.L. requirements for compressed gas service, the gauges are clearly marked "USE NO OIL" and the high pressure gauge has a pressure relief blow-out back.

The Welding pressure gauge is UL Listed for the 0-4000 psi/kPa and CRN registered for all ranges.

How to order: Specify product code

PRODUCT CODES

Dial Size		2"(50mm)	2 1/2"(63mm)
0-30	psi/bar	Q2720	Q2820
0-100	psi/bar	Q2722	Q2822
0-200	psi/bar	Q2724	Q2824
0-400	psi/bar	Q2726	Q2826
0-4000	psi/kPa*	Q2732	Q2832

* U.L. Listed . Other ranges available upon request.

Specifications

Dial:	2 1/2" (63mm) white aluminum with black and red markings
Case:	Brass, polished
Lens:	Plexiglass
Ring:	Brass, polished
Pointer:	Aluminum, painted black
Socket:	Brass
Connection:	1/4" NPT standard, bottom
Bourdon Tube:	Phosphor bronze
Movement:	Brass
Welding:	Silver alloy
Over-pressure Limit:	25% of full scale value
Working Pressure:	Maximum 75% of full scale value
Ambient Temperature:	-40°F to 150°F (-40°C to 65°C)
Process Temperature:	-40°F to 150°F (-40°C to 65°C)
Accuracy:	± 3%-2%-3% accuracy (ANSI/ASME Grade B)
Protection:	IP52



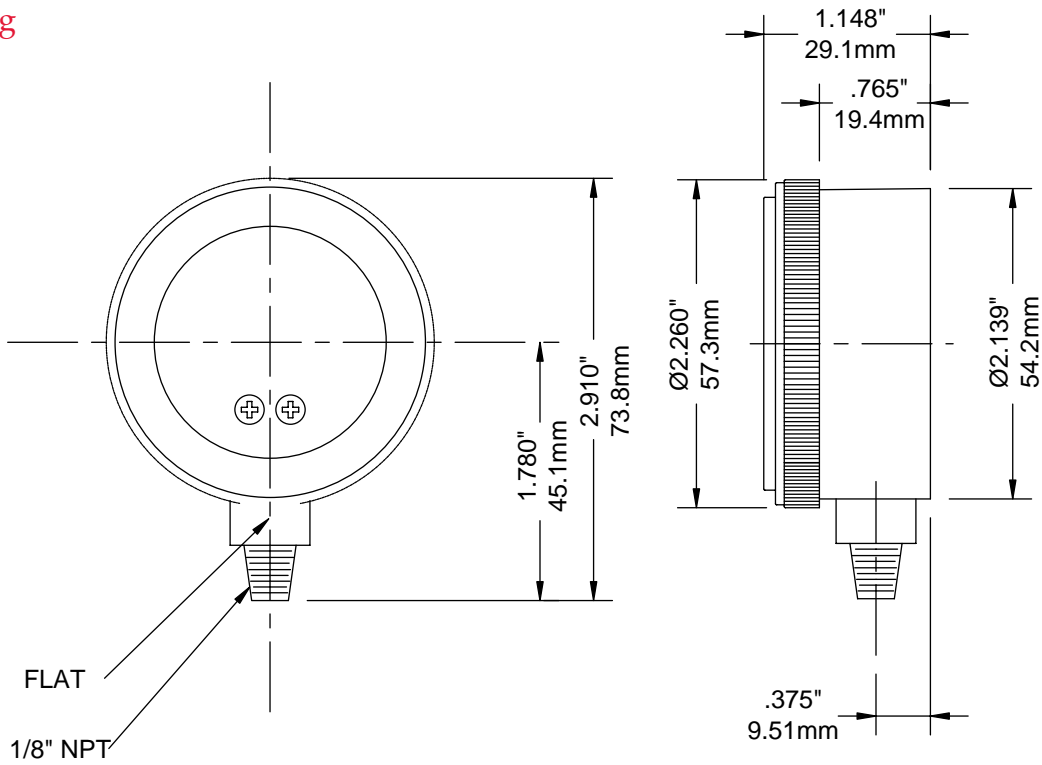
Corporate Office: 121 Railside Road • Toronto • ON • M3A 1B2 • (416) 444-2345 • Fax: (416) 444-8979

U.S.A. Office: 600 Ensminger Road • Buffalo • NY • 14150 • (716) 874-8700 • Fax: (716) 874-8800

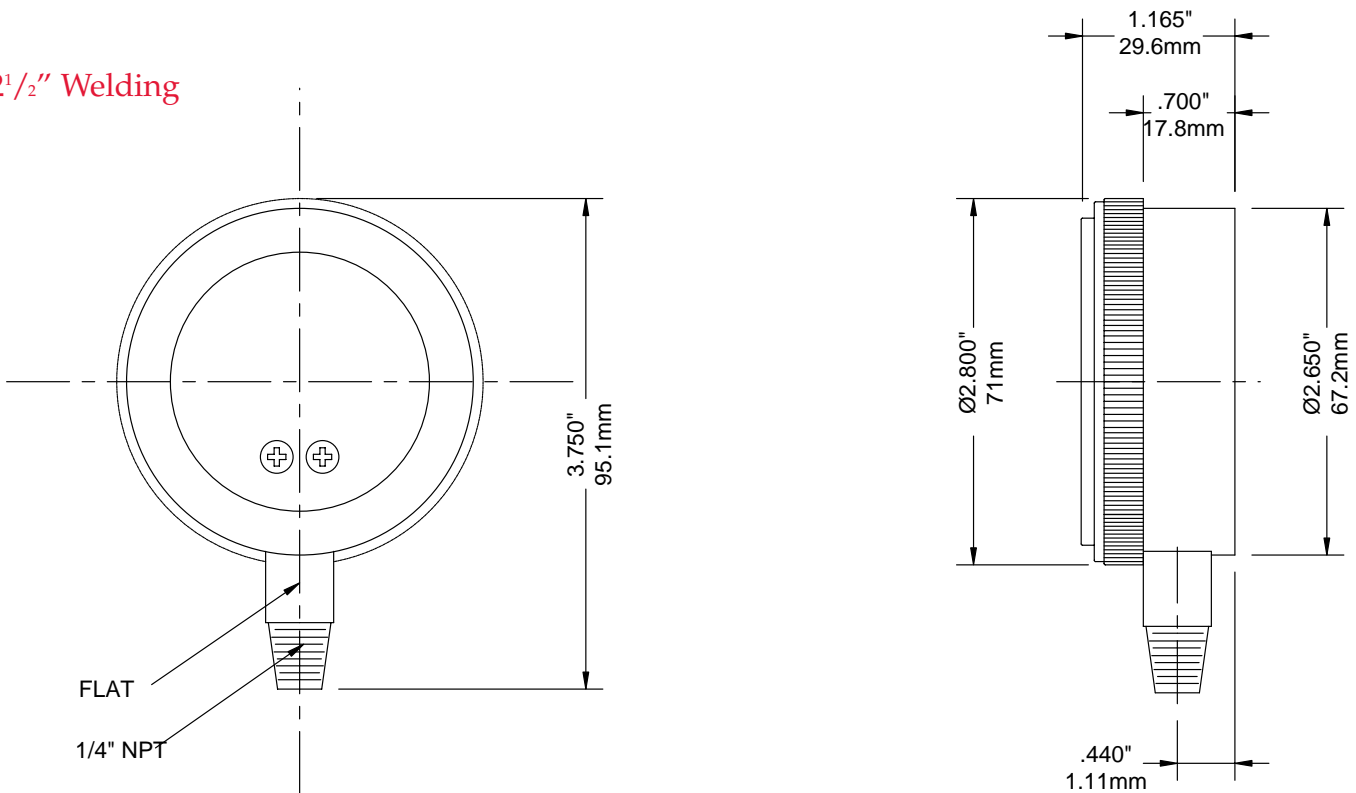
www.winters.com • 1-800-WINTERS (946-8377)

Welding

2" Welding



2 1/2" Welding



Corporate Office: 121 Railside Road • Toronto • ON • M3A 1B2 • (416) 444-2345 • Fax: (416) 444-8979

U.S.A. Office: 600 Ensminger Road • Buffalo • NY • 14150 • (716) 874-8700 • Fax: (716) 874-8800

www.winters.com • 1-800-WINTERS (946-8377)