

"QUALITY PUMPS SINCE 1939"

Product information presented here reflects conditions at time of publication. Consult factory regarding discrepancies or inconsistencies.

ZOELLER
PUMP CO.



SECTION: 3.20.050

FM1554

0603

Supersedes

0901

MAIL TO: P.O. BOX 16347 • Louisville, KY 40256-0347
SHIP TO: 3649 Cane Run Road • Louisville, KY 40211-1961
(502) 778-2731 • 1 (800) 928-PUMP • FAX (502) 774-3624

visit our web site:
<http://www.zoeller.com>

ZOELLER ON-SITE WASTEWATER PRODUCTS

INTRODUCING ZOELLER SEPTIC SYSTEM FILTERS



Zoeller Commercial Effluent Filter P/N 170-0017

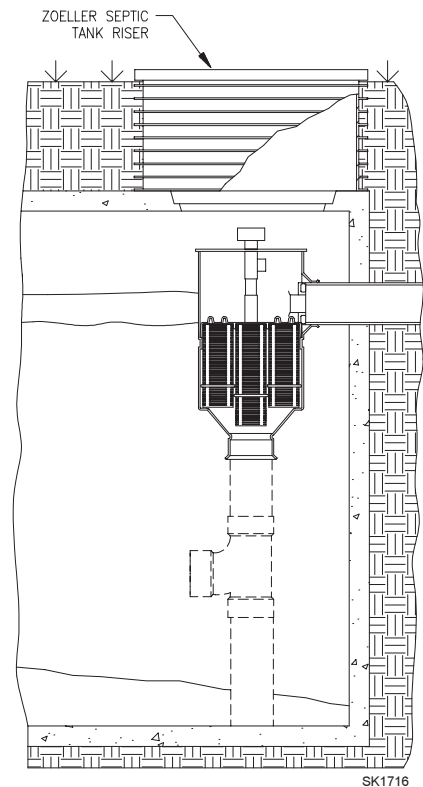
The Zoeller Commercial filter is a wastewater filter designed to filter out solids to 1/32". The filter will greatly reduce the amount of grease, hair, lint, flour, food particles, and high rates of suspended solids in the waste stream.

Problem: Restaurants discharge large quantities of by-products into the waste stream every year resulting in thousands of dollars in maintenance costs and fines. Grease traps and interceptor tanks provide some pretreatment of the effluent but if they are not serviced properly the effluent stream is not helped significantly. Properly maintained systems can even discharge unwanted material.

Solution: A Zoeller commercial filter can be installed on the interceptor tank outlet to aid the removal of grease and particulate from the effluent stream before it is discharged into the environment. The filter allows easy servicing of the system by the restaurant staff.

Installation: The filter is installed to the outlet pipe in the interceptor tank and securely fastened with an all stainless steel powder coated epoxy hose clamp with the screw in the "12 o'clock" position. Recommended peak flow thru the filter is 3,240 GPD. For installations requiring a greater flow rate, multiple filters can be manifolded together.

Servicing: A routine maintenance schedule must be set up for each specific application. During the first month of the filter installation, the filter should be checked daily. At the end of the day, pull the filter cartridge and allow liquids to drain back into the tank. Weigh the filter and record the weight. When the weight of the filter stops increasing from day to day, the filter is becoming full. The cartridge should be cleaned at this point. Cleaning the cartridge can be performed by either the restaurant personnel into a waste grease container or a service company. If a service company is used, then the used cartridge should be placed in a large plastic bag and wait to be picked up by the service company. A clean cartridge should be placed back into the grease interceptor tank. Extra filter cartridges should be kept on hand by the restaurant as well as the servicing company. Depending upon the amount of waste grease the restaurant discharges, cleaning intervals may be as short as a few days.



Covered by US Patent No. 5,762,790

Distributed by:

ZOELLER
PUMP CO.

Zoeller Commercial Effluent Filter Specifications

Application: Commercial septic or grease trap filtration for removing hair, flour, lint, grease, etc. from the waste stream.

Filter Area: 240 Linear feet of 1/32" filtration

Flow Rate: 3,240 gpd

Materials: All materials are noncorrosive in the septic tank environment (Polyethylene, buna-n, PVC, 300 Series stainless steel).

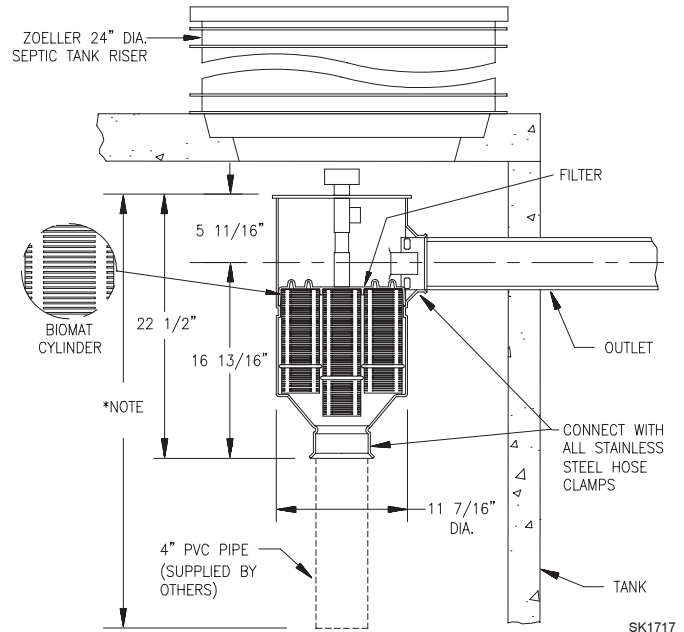
Easy to install or retrofit: The Zoeller Septic System Filter fits onto any 4" schedule 40 septic tank outlet pipe. Slide the filter on the tank's outlet and tighten the all stainless steel powder coated epoxy hose clamp with the screw in the "12 o'clock" position. The system is now protected from discharging solids greater than 1/32".

Easy to maintain: A routine maintenance schedule should be set up to maintain each filter properly. More frequent cleaning will not hurt the filter and could even improve the performance of your system. For installations that exceed the design flow rate of one filter use a manifold type arrangement to add as many filters as required.

Better than a screen: The Zoeller filter with its biomat cylinder design is better than a screen.

- (1) Screens typically have a smaller filtration area than a filter. The Zoeller Commercial filter is designed with 240 linear feet of 1/32" filtration.
- (2) Screens typically do not filter particles as small as filters. The Zoeller Commercial filter can filter particles as small as 1/32".
- (3) Screens typically are not as rigid as filters. The rigid design of the Zoeller filter adds to the protection of your lateral system.
- (4) Screens are typically much larger in size than a filter. The compact design of the Zoeller filter aids in installation and servicing of the system.
- (5) 100% of the Zoeller filter area is below the outlet, therefore 100% of the advertised filter area is used.
- (6) With a filter installed, a gas baffle will not be required because gas induced floating particulate will be kept in the tank.

Lifetime Warranty: Every Zoeller filter is guaranteed to be free from defects in materials and workmanship for the lifetime of the homeowner/purchaser. Free repair or replacement, excluding labor, will be made on return of the filter prepaid to the factory. This warranty is limited to product proven to be free from abuse or improper installation.



***NOTE:** State and local plumbing codes may require a specific liquid penetration. For example, 25% - 45% into the liquid depth or 9" off the tank bottom.

ALL ZOELLER ON-SITE WASTEWATER PRODUCTS MUST BE INSTALLED IN ACCORDANCE WITH LOCAL AND/OR STATE PLUMBING AND/OR HEALTH DEPARTMENT CODES.



<http://www.zoeller.com>

ZOELLER
PUMP CO.

MAIL TO: P.O. BOX 16347
Louisville, KY 40256-0347
SHIP TO: 3649 Cane Run Road
Louisville, KY 40211-1961
(502) 778-2731 • 1 (800) 928-PUMP
FAX (502) 774-3624

Manufacturers of . . .

"QUALITY PUMPS SINCE 1939"