

HN29 Series — Needle Valve

- A new addition to complement our Series HN39 and HN49 valves, is the Series HN29. This new needle valve is targeted for the gas sampling, OEM, and reseller market.

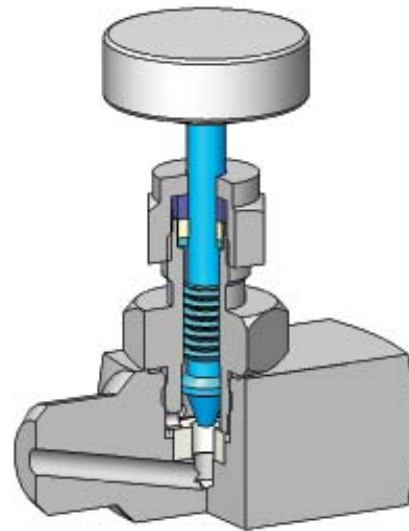
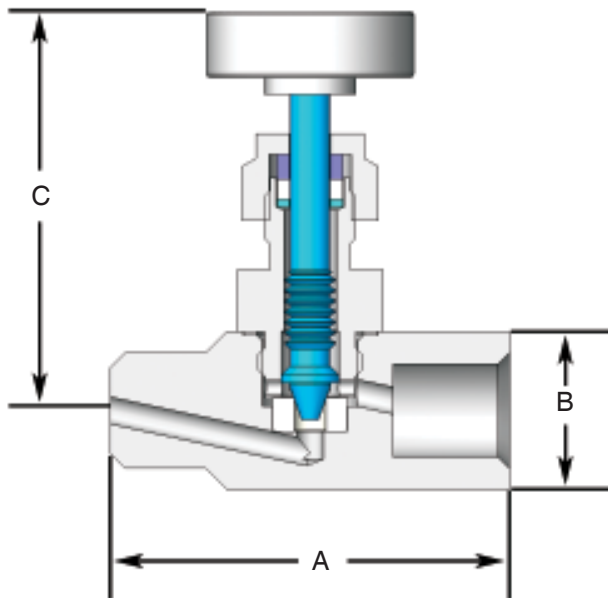
All stainless steel valves are rated to 3000 psig @ 100°F with soft seats, Teflon packing and 1" diameter round knurled handles. Valves are available in 1/4" sizes.

All carbon steel valves are rated to 6000 psig @ 100°F with hard seats and 3000 psig @ 100°F with soft seats (Delrin), Teflon packing and either "T" handles or 1" diameter round knurled handles.

Valves are available in 1/4" and 1/2" sizes.



Dimensions

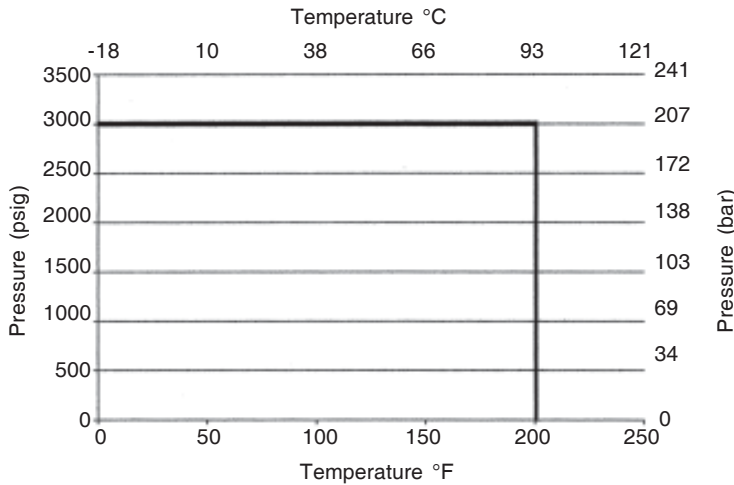


Connection	A	B	C	Weight	Orifice
1/4" F	1.89 (48)	0.75 (19)	2.00 (51)	1.0 (0,5)	0.13 (3,3)
1/4" M	1.89 (48)	0.75 (19)	2.00 (51)	1.0 (0,5)	0.13 (3,3)
1/4" MxF	1.89 (48)	0.75 (19)	2.00 (51)	1.0 (0,5)	0.13 (3,3)
1/2" F	2.68 (68)	1.26 (32)	3.74 (95)	1.5 (0,7)	0.20 (5,0)
1/2" MxF	2.68 (68)	1.26 (32)	3.74 (95)	1.5 (0,7)	0.20 (5,0)

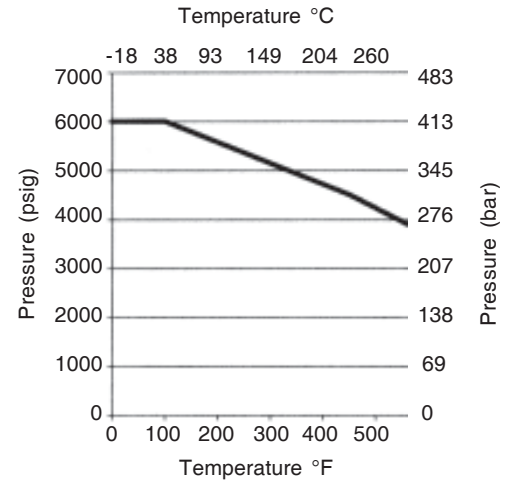
HN29 Series — Needle Valve

Pressure/Temperature Charts

Soft Seats



Hard Seats



Ordering Schematic

Model		Description
HN29	—	2F

Model	
HN29	Standard

Connection Type, Size, Body, Material, Seat	
2F	1/4", FNPT, Straight, Stainless, Soft Seat
2F-R	1/4" FNPT, Straight, Stainless, Soft Seat, Round Handle
2FA	1/4", FNPT, Angle, Stainless, Soft Seat
2M	1/4", MNPT, Straight, Stainless, Soft Seat
22MF	1/4", FNPTxMNPT, Straight, Stainless, Soft Seat
22MF-R	1/4", FNPTxMNPT, Straight, Stainless, Soft Seat, Round Handle
22AMF	1/4", FNPTxMNPT, Angle, Stainless, Soft Seat
4F	1/2", FNPT, Straight, Carbon, Hard Seat
44MF	1/2", FNPTxMNPT, Straight, Carbon, Hard Seat
2S-2F	1/4", FNPT, Straight, Carbon, Soft Seat
2S-22MF	1/4", MNPTxFNPT, Straight, Stainless, Soft Seat
2S-22MF-R	1/4", MNPTxFNPT, Straight, Stainless, Soft Seat, Round Handle
2S-4F	1/2", FNPT, Straight, Stainless, Soft Seat
2S-44MF	1/2", MNPTxFNPT, Straight, Stainless, Soft Seat

Minimum quantities required:

1/4" – 10 per box

1/2" – 5 per box

