

# ELMO

# P10

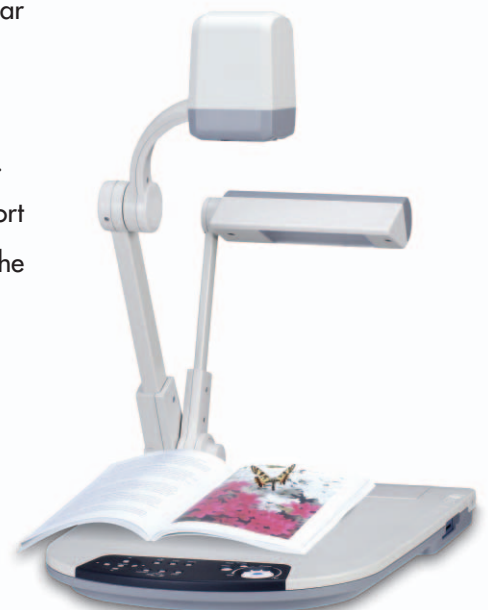
Visual Presenter

Set the stage for exceptional presentations



The P10 offers both exceptional image quality and flexibility for a variety of documents and media.

Progressive scanning with a free-angle camera arm and detailed 48X zoom ensures crystal-clear imagery and captures moving objects at impressive frame rates. Several video output options let you connect to almost any monitor. Combined with built-in SD Memory Card support and a lightweight, compact design, the P10 is the ultimate in versatility and quality.



- 850,000-Pixel CCD
- 48X Zoom
- 20 fps Frame Rate
- Free Angle Camera Arm & Lamp
- SD Memory Card-Ready
- Split Display
- 6 User Settings
- A3 Size Shooting Area
- 10.4 lbs
- Application Software (Option)

# P10 Specifications

Model	P10		
Camera	Image pickup device	1/3" progressive scan CCD	
	Total pixels	1,077 [H] x 788 [V], 850,000 pixels	
	Effective pixels	1,034 [H] x 779 [V]	
	Frame rate	20 fps	
	Resolution	600 [H] x 600 [V] TV lines	
	RGB output	450 [H] TV lines	
	Video output	450 [H] TV lines	
Optics	Zoom	Powered (with variable speed function), 12X optical, 4X digital	
	Lens	F2.8, f=4.7 to 56.4 mm	
	Shooting area	Max. 405 x 303 mm (15 15/16" x 11 15/16"), min. 36.5 x 28 mm (1 7/16" x 1 3/32")	
	Focus	Auto/Manual (powered)	
	Iris	Auto (with level adjustment)/Manual	
Functions	White balance	Full-auto/One-push/Manual	
	Negative/positive conversion	Provided	
	Aperture enhancement	Provided	
	Text mode	Provided	
	Edge enhancement	Provided	
	Color/B&W selection	Provided	
	Pause mode	Provided	
	Gamma adjustment	Provided	
	OSD (on-screen display)	Provided	
	Split display	Provided [SD Memory Card image, 9-split, 16-split]	
	Image save	Provided (onto SD Memory Card)	
	Image rotation	Provided [0°, 180°]	
	State presetting	Up to 6 user settings	
	Sync. system	Internal	
Input/output	Internal selection	Int./RGB	
	Analog RGB output	XGA (1,024 x 768 @60 Hz), VESA	
	Video output	Composite, S-video	
	RGB input	Provided	
	DVI output	Provided	
PC interface	RS-232C port	Provided	
	USB port	Provided	
Memory card	SD Memory Card slot	Provided	
Lighting	Upper lighting unit	Provided (twin fluorescent lamp)	
Others	Supplied accessories	I/R remote control, AC adapter, cables, etc.	
	Dimensions	Set up	377 x 482 x 582 mm (14 27/32" x 18 31/32" x 22 29/32")
		W x D x H	Folded
	Weight	4.7 kg (10.4 lbs)	
	Application software (option)	Image Mate for Presentation, Image Mate for Movie Creation, TWAIN driver [for Windows® 2000 (SP4 or later), Windows® XP (SP2 or later)]	
	Power source	AC 100 to 240V, 50/60 Hz	

H: horizontal, V: vertical

## Rear panel



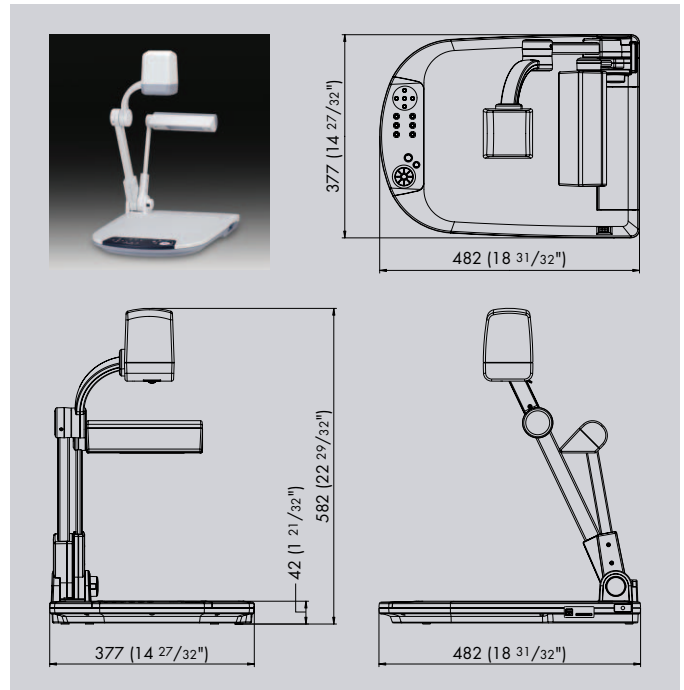
Design and specifications are subject to change without prior notice.

**ELMO** is a trademark of ELMO COMPANY, LIMITED.

SD logo is a trademark. Other brand names and product names may be trademarks or registered trademarks of their respective owners.

# Profile

All dimensions in mm (inches)

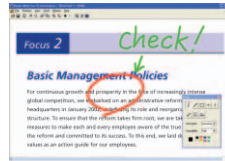


## Optional Accessories

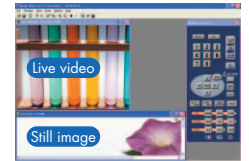


5-inch color LCD monitor  
LM-5011N  
Monitor shoe  
MS-30

## Image Mate software for creating outstanding PC presentations



Annotate your presentation right from a PC



Split Screen lets you compare live video to stored images



Save video files to a PC



ELMO CO., LTD. (Head Office and Factory)'s QMS/EMS has been registered to ISO 9001:2000 & ISO 14001:2004.



## ELMO CO., LTD.

6-14, Meizen-cho, Mizuho-ku,  
Nagoya, 467-8567, Japan  
Tel. 81-52-821-3141 Fax. 81-52-811-5243  
E-mail: foreign-div@elmo.co.jp

Distributed by

Additional technical information is available from any of the following subsidiary companies:

**ELMO USA Corp.**  
1478 Old Country Road  
Plainview, NY 11803-5034, U.S.A.  
Tel. 516-501-1400 Fax. 516-501-0429  
E-mail: elmo@elmousa.com  
Web: <http://www.elmousa.com>

**ELMO Canada Corp.**  
44 West Drive, Brampton,  
Ontario, L6T 3T6, Canada  
Tel. 905-453-7880 Fax. 905-453-2391  
E-mail: info@elmocanada.com  
Web: <http://www.elmocanada.com>

**ELMO (Europe) G.m.b.H.**  
Neanderstr. 18,  
40233 Düsseldorf, Germany  
Tel. 0211-3864-70 Fax. 0211-376630  
E-mail: info@elmoeuropa.com  
Web: <http://www.elmoeuropa.com>



This brochure is printed on recycled paper with soy ink.