

# BRETFORD BASICS™

## GIBRALTAR SERIES YOKE STYLE CEILING TV MOUNTS

### GIBRALTAR CEILING MOUNTS

**TVCC3027-BK** Ceiling Mount is designed accommodate most 25-27" diagonal monitors.

**TVCC3035-BK** Ceiling Mount is designed accommodate most 32-35" diagonal monitors.



VCR ACCESSORIES AVAILABLE



### FEATURES

- UL listed for safety
- Yoke arms are height and width adjustable to snugly fit around most TV cabinets.
- Unique dual upper clamp system on yoke arms prevents the monitor from sliding forward or backward.
- Includes an adjustable lower tray for added stability.
- New design allows you to construct the platform, mount the TV to the platform on the floor or a table and then lift the unit into place on pre-mounted arms.
- Optional security screws increase the mounts tamper resistance.
- TVCC3027-BK features a 0°-30° forward tilt and the TVCC3035-BK features a 0°, 15° or 30° forward tilt that provides excellent viewing angles for any size of room.
- 360° swivel allows the monitor to be positioned in any position.
- Yoke constructed from 14- and 12-gauge, 30% post-consumer recycled steel and finished in an environmentally friendly black powder paint.
- Ceiling yoke mounts require a ceiling bracket and 1-1/2" threaded NPS pipe for installation. Brackets and pipes sold separately by Bretford.

## OVERALL DIMENSIONS

TVCC3027-BK: 26-3/8"-33-1/4"w x 23-7/8"-27-7/8"h x 10"d

TVCC3035-BK: 30-1/2"-37-3/4"w x 29-5/8"-33-5/8"h x 14"d

## ADJUSTABLE TV CABINET DIMENSIONS

TVCC3027-BK: 24-3/8"-31-1/2"w x 19-1/4"-26-3/4"h x 10"d

TVCC3035-BK: 28-7/8"-36"w x 22-3/8"-30-1/4"h x 14"d

## COLOR/FINISH

Black powder paint finish

## ACCESSORIES

- TVCM-BK Flat Ceiling Mounting Bracket, up to a 35" TV, max weight 175 lbs.
- TVCCB-BK Angled Ceiling Mounting Bracket, up to a 27" TV, max weight 95 lbs.
- TVUCA-BK Mount Clamp for Ceiling Pipe, Truss or Beam Less Than 3" in Diameter, up to a 40" TV, max weight 240 lbs.
- TVCP16-BK Flat Ceiling Mounting Bracket for Finished Ceilings Using Two Wood Joists, up to a 40" TV, max weight 240 lbs.
- TV18-BK 18" Threaded 1-1/2" NPS Extension Pipe
- TV10-BK 10" Threaded 1-1/2" NPS Extension Pipe
- TV4-BK 4" Threaded 1-1/2" NPS Extension Pipe
- TVCLPR-BK 1-1/2" NPS Extension Pipe Connector
- TVSTBL-BK Adjustable Stabilizing Bracket to Prevent Sway (One Bracket)
- VCR8-BK Adjustable VCR/DVD Bracket

## WEIGHT AND FREIGHT CLASS

TVCC3027-BK: 33 lbs., Freight class 70 UPS

TVCC3035-BK: 41 lbs., Freight class 70 UPS

Ships ready to assemble in one (1) carton pack

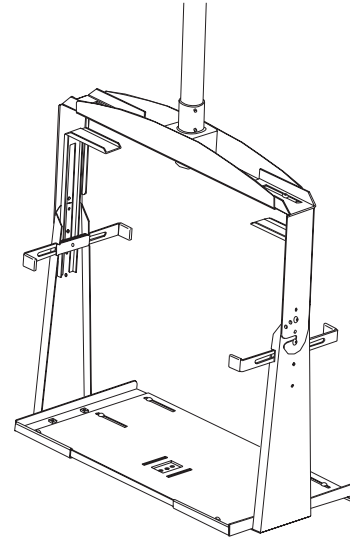
## UPC CODES

TVCC3027-BK: 0 96633 17846 9

TVCC3035-BK: 0 96633 17847 6

## SUGGESTED SPECIFICATIONS

The ceiling mount shall be a Bretford Yoke Style Mount (model TVCC3027-BK and TVCC3035-BK) and shall be located where indicated on the plans. The mount shall have a powder paint finish of black color. The mount shall be constructed with height and width adjustments to accommodate most 25-40" diagonal monitors. The tray shall match the width adjustment positioning in a 360° range and 0° to 30° tilt capability. The mount shall be combined with the appropriate mounting hardware for installation. Constructed using "prime" steel which contains 25% to 35% post consumer recycled content. The installation contractor shall mount the unit in accordance with the instructions provided. Mount shall be UL listed.



OPTIONAL VCR/DVD BRACKET ACCESSORY



11000 SEYMOUR AVENUE  
FRANKLIN PARK, ILLINOIS 60131 USA  
TOLL FREE PHONE 800-521-9614  
PHONE 847-678-2545  
TOLL FREE FAX 800-343-1779  
FAX 847-678-0852  
WWW.BRETTFORD.COM