

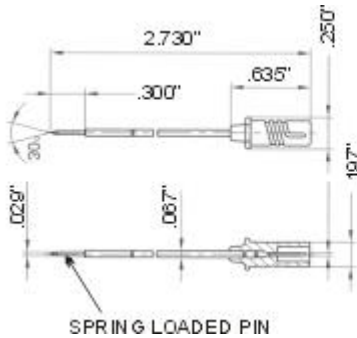
OLDAKER TEST LEADS & ACCESSORIES

Call 888.295.9516

Fax 888.295.9517

RATED 60 V DC

948
MINI PIN PROBE



HAS .025" SQUARE PIN SOCKET

This .030" dia. Needle point pin probe is made of stainless steel for durability and is **spring loaded** for reliability and accuracy. It has a .025" square pin to plug into leads 4262 and 4262-1 shown above and is rated 50V.

SOLD 1 each per package. Specify Red or Black.