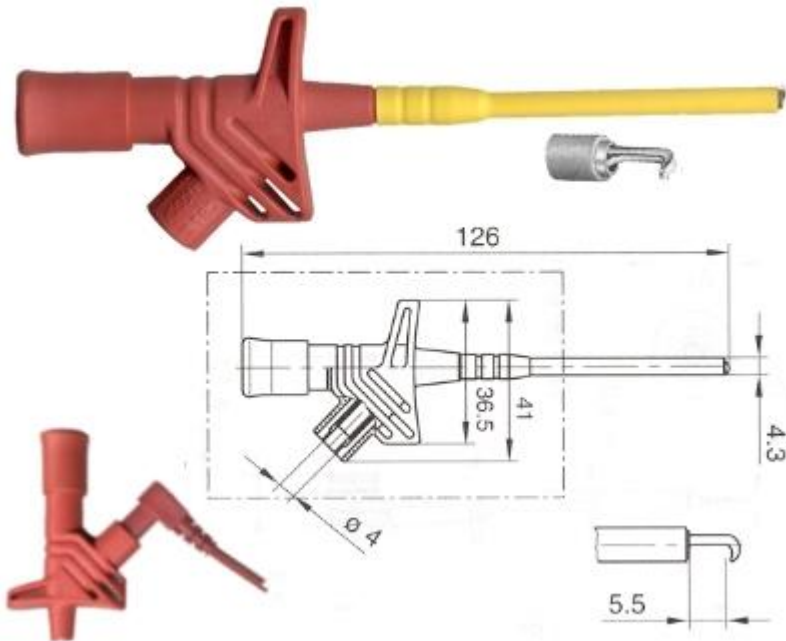


OLDAKER TEST LEADS & ACCESSORIES

Call 888.295.9516 Fax 888.295.9517

944-4 HOOK



The Oldaker 944-4 test probe is designed to provide utmost user safety and is based on the Rigid Sleeve principle: This 5" probe has a socket that accommodates a standard banana plug either standard, shrouded or retractable. The sleeve that surrounds the sides of the 4mm socket is insulated to keep fingers from the test area to insure a shock proof connection to 1000V. The 944-4 is the perfect tool for electricians and repair technicians working in hard-to-reach spaces. Its spring-loaded hook extends to a full 7/32" before retracting for a secure grip around the test point..

SOLD 1 each per package. Specify Red or Black.....