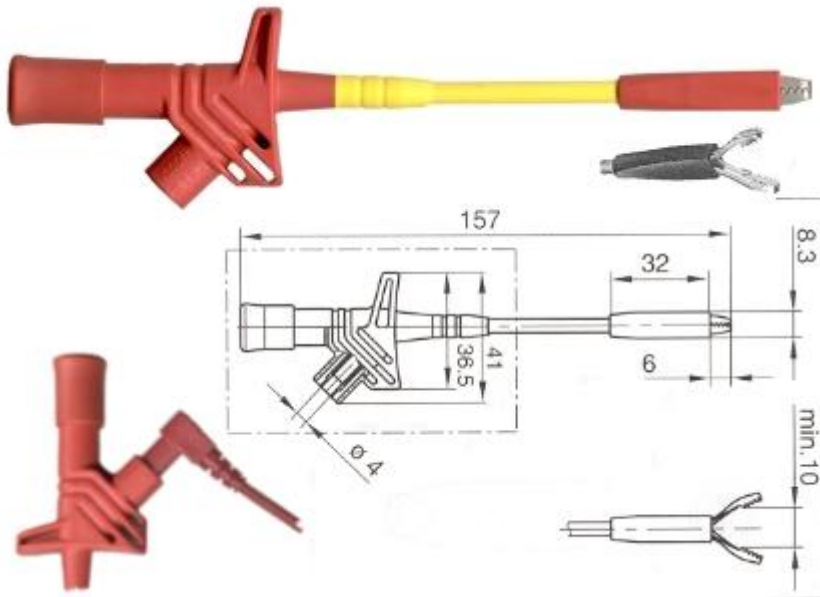


OLDAKER TEST LEADS & ACCESSORIES

Call 888.295.9516

Fax 888.295.9517

944-3 CLIP



The Oldaker 944-3 test probe is designed to provide utmost user safety and is based on the Rigid Sleeve principle: This 6.25" probe has a socket that accommodates a standard banana plug either standard, shrouded or retractable. The sleeve that surrounds the sides of the 4mm socket is insulated to keep fingers from the test area to insure a shock proof connection to 1000V. The 944-3 features a special wide-opening jaw which opens to 7/8" to accommodate a large range of test connectors in R & D labs, workstations and service departments. When the plunger is pressed the jaws simultaneously open and extend from the probe body, then close to make a tight, reliable connection.

SOLD 1 each per package. Specify Red or Black....