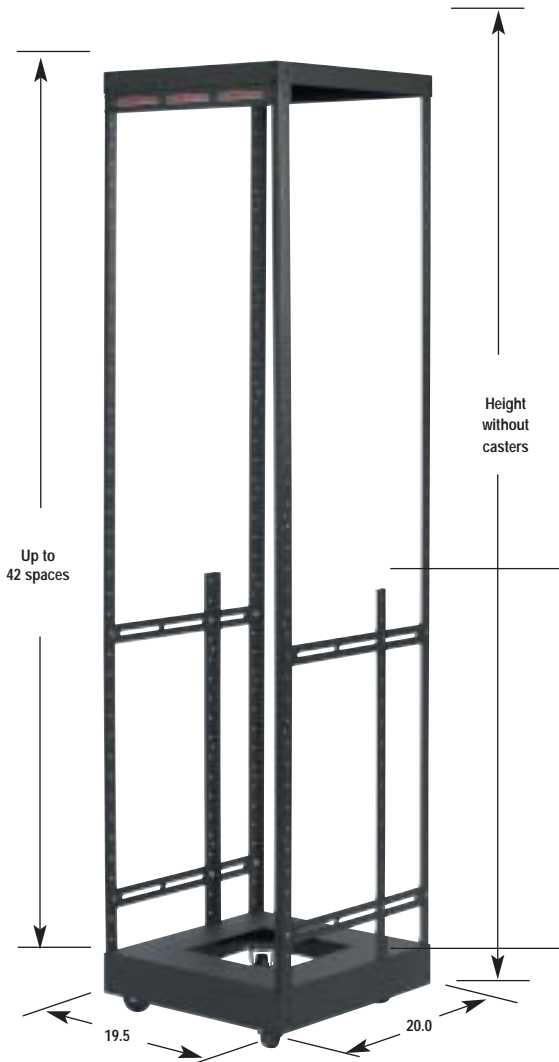


RACKS / ENCLOSURES



Optional rear rack rail kit includes 4 horizontal members and rack rail

Shown with optional casters and rear rack rail kit

SKR skeleton rack

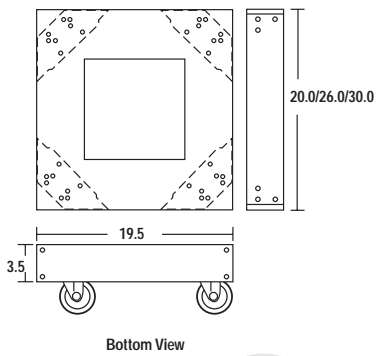
Raxxess "Skeleton Racks" are so named because of a "Bare Bones" approach to racking audio equipment. Constructed of four pieces of 11-gauge steel rack rail (cut to any length) and a top and bottom pan of 16-gauge cold rolled steel, the surprisingly strong Skeleton Rack assembles in less than five minutes. Optional side panels are available (12, 24 and 42 spaces) in either 16-gauge steel with a black powder coat finish or in ebony fleck or maple laminate. Available in 20, 26 or 30" depths.

optional



Use a. CASTER/CMLCK or b. CASTER/CM with this rack. Sold in sets of 4.

finishes



Bottom View

Model	Racking Height	Depth	Width	Height	Height w/casters	Weight Capacity
SKR-12-20/26/30*	12 space (21")	20"/26"/30"	19.5"	26.5"	28.25"	300lb.
SKR-24-20/26/30*	24 space (42")	20"/26"/30"	19.5"	47.5"	49.25"	300lb.
SKR-42-20/26/30*	42 space (73.5")	20"/26"/30"	19.5"	79"	80.25"	400lb.

* Other sizes available as special order. To calculate height for custom sizes, multiply total number of desired rack spaces x 1.75" and add 5.5".

features @ a glance

- 20, 26 & 30" depth available
- Easily gangable
- Quick assembly
- Economical shipping (UPS)
- Any height to 42 spaces (73.50")



SKR