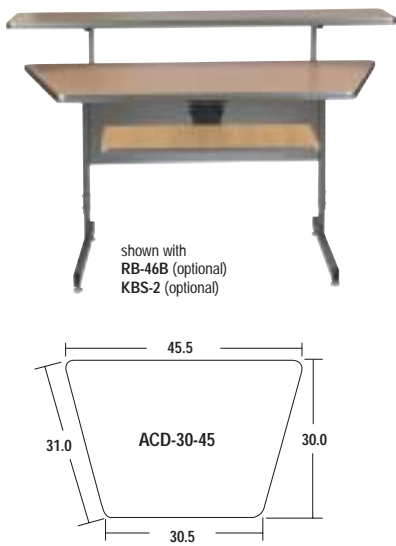
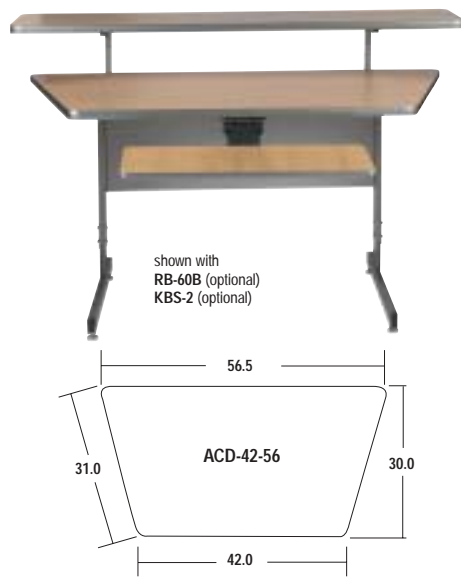


in maple or ebony fleck - height adjustable from 26"-30"

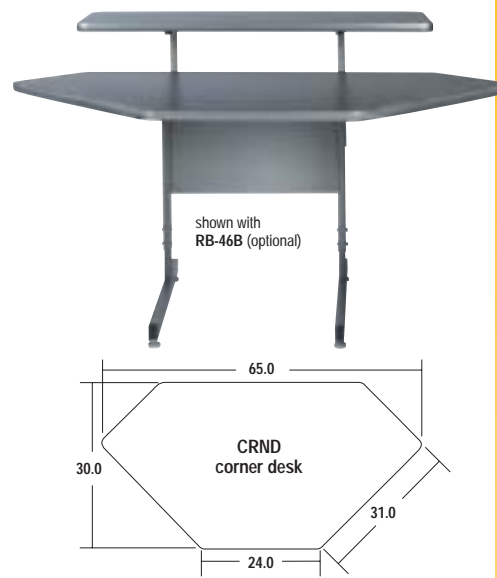
ACD-30-45B angled center desk small
Use RB-36, 46 or 60 with this desk



ACD-42-56 angled center desk large
Use RB-46 or 60 with this desk

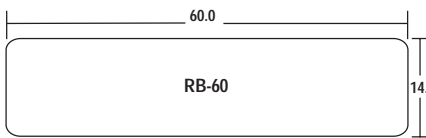
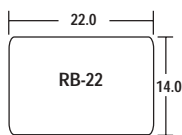
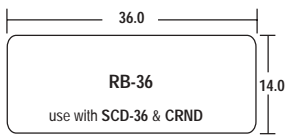
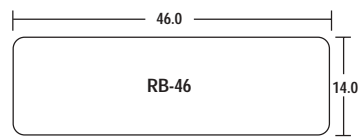


CRND-B corner desk
Use RB-36, 46 or 60 with this desk



ADD - ONS

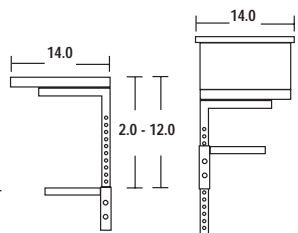
shelves



All shelves can be added to any desk unless otherwise stated.



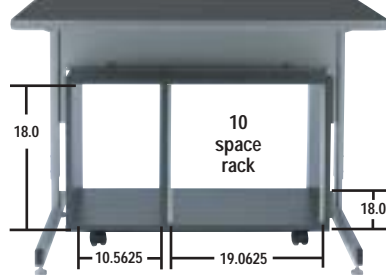
shelf/rack height is adjustable from 2" to 12" above your desktop



all steel



under counter rack
shown with SCD-42 (optional)



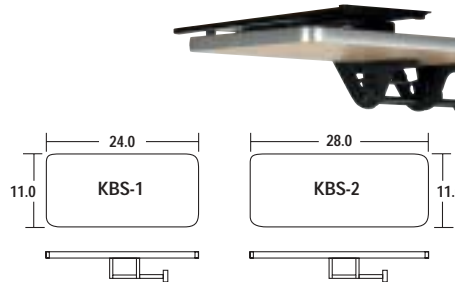
studio furniture door only available with melamine side panels

shown SFD steel with plexi



keyboard shelves

articulated keyboard shelfmount slides in & out, adjusts up & down, tilts & swivels!



shown KBS-1M

rack

4U rack for use in place of RB-22 allowing quick access to most commonly accessed equipment

