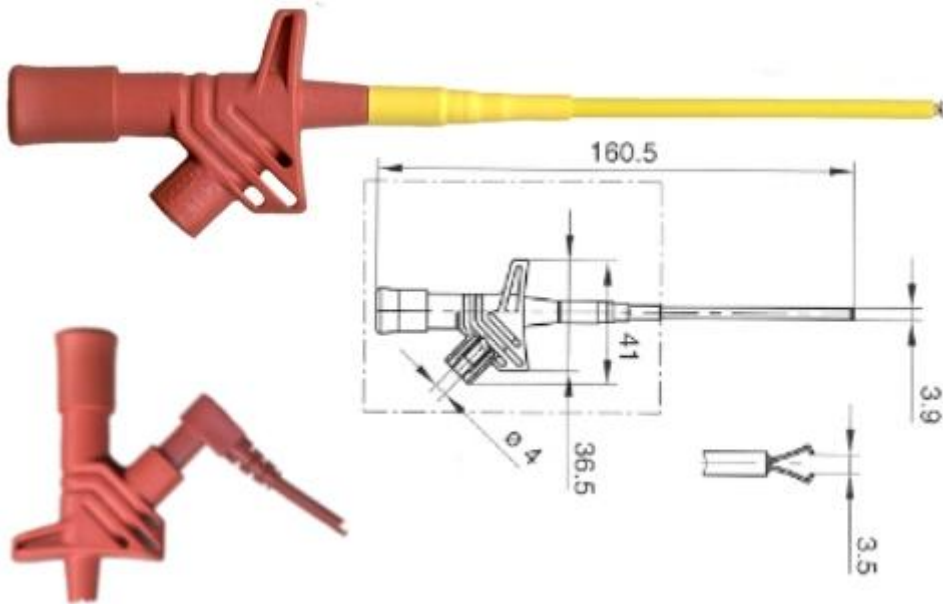


# OLDAKER TEST LEADS & ACCESSORIES

Call 888.295.9516

Fax 888.295.9517

## 944-1 GRABBER



The Oldaker 944-1 test probe is designed to provide utmost user safety and is based on the Rigid Sleeve principle: This 6.375" probe has a socket that accommodates a standard banana plug either standard, shrouded or retractable. The sleeve that surrounds the sides of the 4mm socket is insulated to keep fingers from the test area to insure a shock proof connection to 1000V. The 944-1 features 2 rotating, clamp-style tongs for securely grabbing pins and wires with diameters of up to 5/32". And, thanks to the special shrink - tubing on the **FLEXIBLE** shaft, this and all 944 probes are resistant to solder iron heat and high temperatures. Sold 1 per package, Specify Color, RED or BLACK.. .