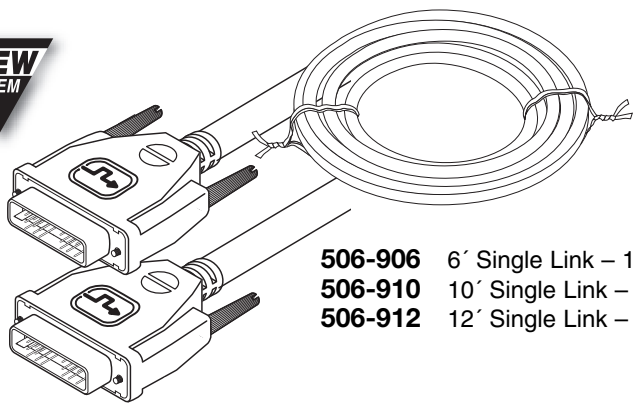


**NEW
ITEM**



- 506-906** 6' Single Link – 18 pin
- 506-910** 10' Single Link – 18 pin
- 506-912** 12' Single Link – 18 pin



UL US LISTED

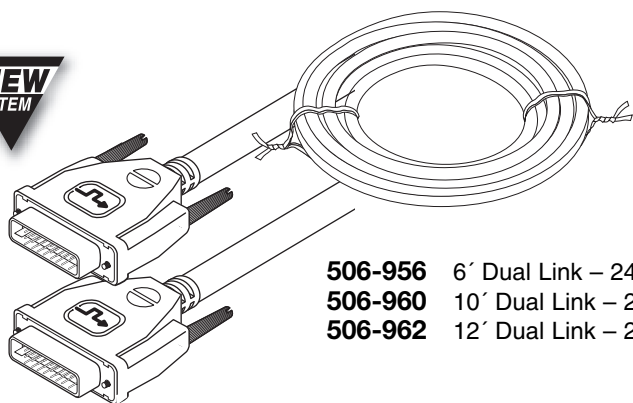


DVI-D Digital Interface Cables

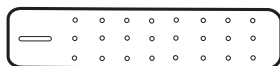
Python™ DVI-D Digital Visual Interface Cables
 Installs easily on any DVI-D socket found on
 data projectors, plasma displays, digital TVs and
 set-top boxes – Hot Swappable
 Thoroughly Tested and Certified
 Superior TMDs Signal Resolution
 Single Link (1920 x 1080) – Dual Link (2048 x 1536)
 4.95Gbps and 9.9Gbps Data Speeds
 7.3mm OD Super-Flexible Black PVC Jacket
 AWG28 Tinned Copper Conductors
 Individually Shielded Pairs with Drain Wire
 100% Overall Aluminum-Mylar Foil Shield
 360° Copper-Foil Wrapped Shielded Connectors
 3µ" 24K Gold-Plated Beryllium Contacts
 Fully Molded Construction
 Easy-Grip Captured Screws – UL Listed



**NEW
ITEM**



- 506-956** 6' Dual Link – 24 pin
- 506-960** 10' Dual Link – 24 pin
- 506-962** 12' Dual Link – 24 pin



UL US LISTED



- NEW ▶ 506-906** 6' Single Link DVI-D Cable – 18 pin
- NEW ▶ 506-910** 10' Single Link DVI-D Cable – 18 pin
- NEW ▶ 506-912** 12' Single Link DVI-D Cable – 18 pin
- NEW ▶ 506-956** 6' Dual Link DVI-D Cable – 24 pin
- NEW ▶ 506-960** 10' Dual Link DVI-D Cable – 24 pin
- NEW ▶ 506-962** 12' Dual Link DVI-D Cable – 24 pin