





# VISIONMOUNT® RECESSED IN-WALL BOX

 « LR1A In-Wall Box supports Sanus VisionMount VM400 or LRF118 wall mounts


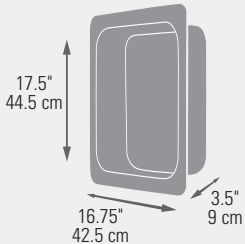
 « Finger-adjustable Quick Shims™ allow box to be leveled and secured tightly into place in no time

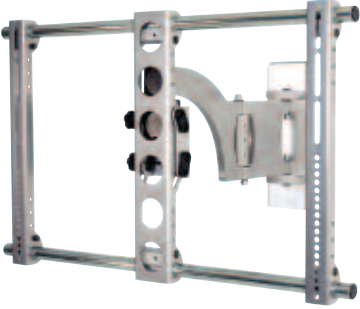

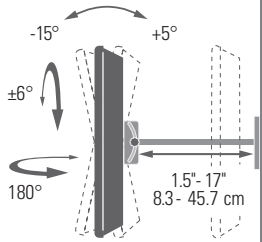
 « In-Wall Box is available in silver, black or paintable white finish to match any décor

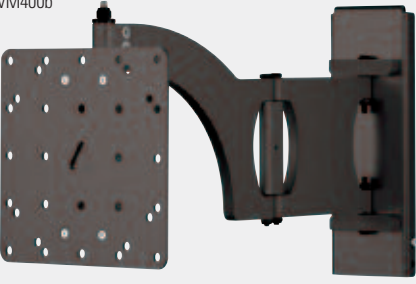

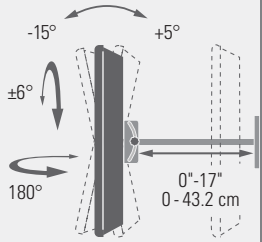

 « LR1A features signal and power cable cutout holes to conceal and organize wires

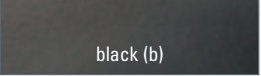

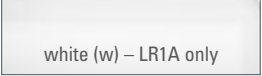
 « VM400 features hinged arm to support and extend flat-panel TVs up to 80 lbs. from 0" to 17" off wall

 « LRF118 is specially engineered for the LR1A and holds flat-panel TVs up to 130 lbs.

<b>MODEL</b> LR1A-S1 LR1A-B1 LR1A-W1		<b>DESCRIPTION</b> Recessed in-wall box Features Quick Shims™			
		<b>PRODUCT DIMENSIONS</b> 16.75" w x 3.5" d x 17.5" h 42.5 x 9 x 44.5 cm	<b>WEIGHT CAPACITY</b> VM400 – up to 80 lbs. 39 kg LRF118 – up to 130 lbs. 59 kg	<b>TV SIZE</b> 15" – 40" 30" – 50"	
		<b>MOUNTING PATTERN</b> VM400 – VESA 100, VESA 200x 100, VESA 200 x 200 LRF118 – UNIVERSAL			

<b>MODEL</b> LRF118-S1 LRF118-B1		<b>DESCRIPTION</b> Full-motion wall mount for large flat-panel TVs Allows ±6° lateral roll to ensure TV is perfectly level after hanging				
		<b>PRODUCT DIMENSIONS</b> 29.5" w x 1.5"-17" d x 19.5" h 74.9 x 3.8 - 43.2 x 49.5 cm	<b>WEIGHT CAPACITY</b> 130 lbs. 59 kg	<b>TV SIZE</b> 30" – 50"		
		<b>MOUNTING PATTERN</b> UNIVERSAL				

<b>MODEL</b> VM400s VM400b		<b>DESCRIPTION</b> Full-motion wall mount for medium LCD Allows ±6° lateral roll to ensure TV is perfectly level after hanging				
		<b>PRODUCT DIMENSIONS</b> 15" w x 0"-17" d x 12.75" h 38.1 x 8.9-50.8 x 32.4 cm	<b>WEIGHT CAPACITY</b> 80 lbs. 39 kg	<b>TV SIZE</b> 15" – 40"		
		<b>MOUNTING PATTERN</b> VESA 100, VESA 200 x 100 VESA 200 x 200	<b>FEATURE</b> Arm can be padlocked for enhanced security			

<b>FINISH OPTIONS</b>	 black (b)	 silver (s)	 white (w) – LR1A only
-----------------------	-----------------------------------------------------------------------------------------------	-------------------------------------------------------------------------------------------------	-------------------------------------------------------------------------------------------------------------

**The new LR1A recessed box allows a TV to be flush to the wall, so it hangs like a picture.**

1. Cut a hole in the sheetrock between 16" center studs and set the LR1A inside.\*
2. The finger-adjustable Quick Shims allow you to easily position and level the box and then secure it in place using provided hardware.
3. There are cutouts for signal and power cables on top and bottom, plus it's available in silver, black or paintable white to match any décor.
4. Once the LR1A is in place, choose a full-motion mount (model LRF118 or VM400) that fits your TV.

\*Safety note: Before cutting ensure electrical wires or piping does not run within desired location



Models VM400s and LR1A-S1 shown



Models LR1A and LR118 in use