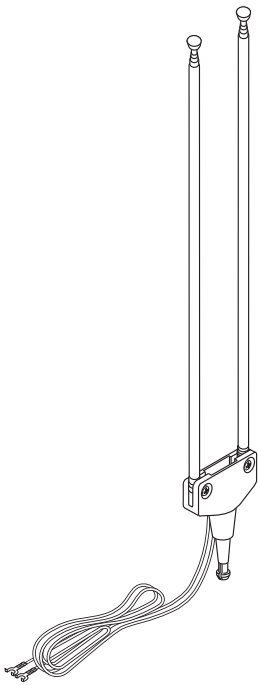
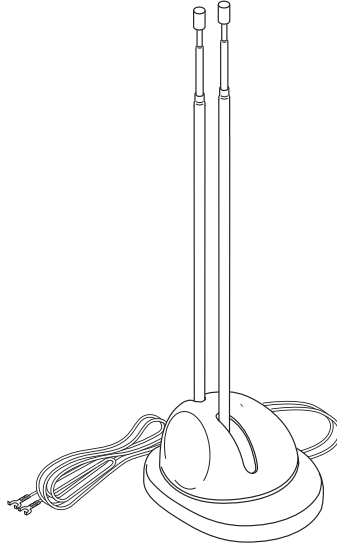


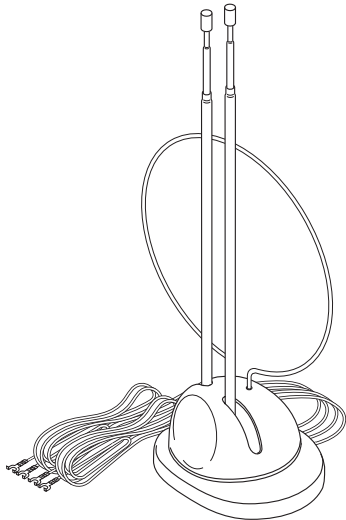
TV Antennas



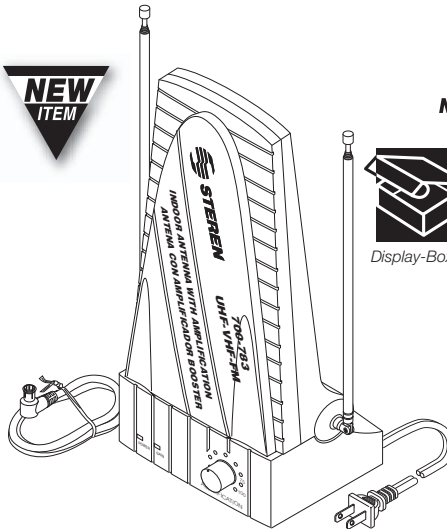
700-750 Panasonic



700-780 Aluminum



700-782 Chrome-Brass

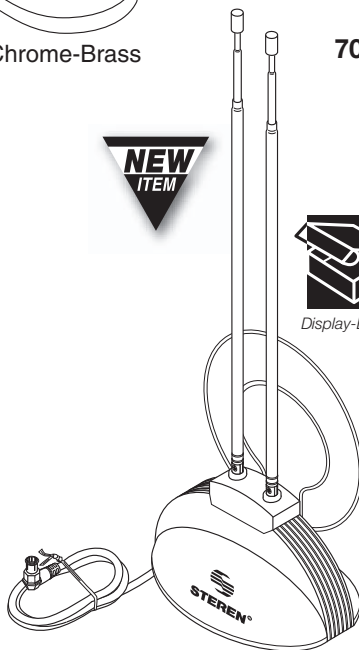


700-783



Display-Boxed

NEW ▶ 700-784



700-784



Display-Boxed

700-750 Panasonic Replacement Antenna
Suitable Replacement for RCA,
Panasonic and Quasar Models
40" 5-Section Telescoping Rods
3' 300Ω Flat Lead Wire

700-780 Basic VHF Top-of-Set Antenna
Aluminum Construction
Polystyrene Base – Rubber Feet
38" 3-Section Telescoping Rods
3' 300Ω Flat Lead Wire

700-782 UHF-VHF Single-Loop Antenna
Chrome-Plated Brass Construction
Polystyrene Base – Rubber Feet
38" 3-Section Telescoping Rods
3' 300Ω Flat Lead Wire

NEW ▶ 700-783 UHF-VHF-FM Top-of-Set
Rotating Antenna with Amplifier
On/Off and Amplification Switches
Individual Power, Gain Indicator Lamps
Polystyrene Construction – Rubber Feet
38" 7-Section Brass Telescoping Rods
3' 75Ω Coaxial Cable

NEW ▶ 700-784 UHF-VHF Top-of-Set
Double Loop Antenna
Polystyrene Base – Rubber Feet
38" 7-Section Brass Telescoping Rods
4' 75Ω Coaxial Cable