

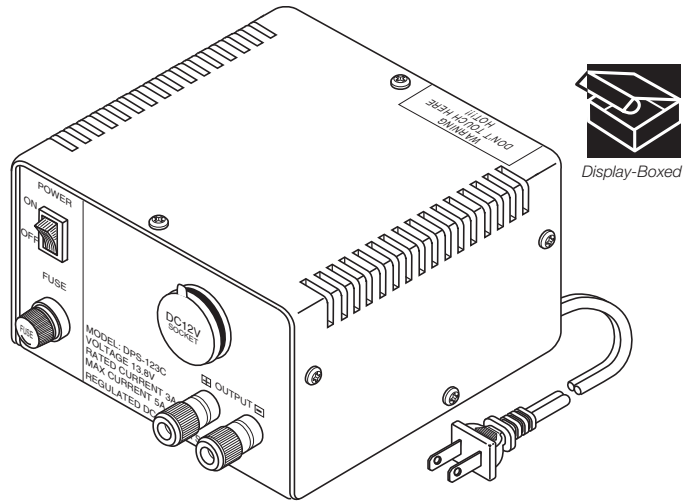
## Power Supplies

13.8 VDC Fully Regulated Power Supplies  
Applications include automotive accessories,  
auto-sound displays, CB transceivers, toys,  
electronics experimentation, test equipment  
117VAC 60Hz Input – Illuminated Switch  
Binding Post Terminals – Fuse Protected  
Effective Power-Dissipating Heat Sinks  
High-Gauge Black Metal Case – Rubber Feet  
6' Power Cord

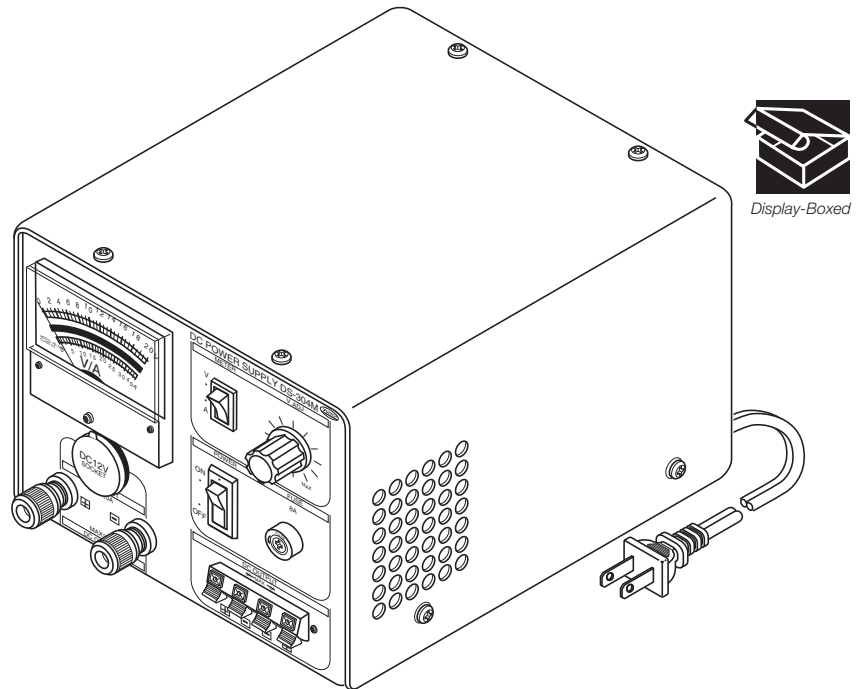
**900-403** 3A Regulated Power Supply  
3A Continuous – 5A Peak  
Cabinet 5 1/2"(W)x3 1/8"(H)x5 1/2"(D)

**900-407** 7A Regulated Power Supply  
7A Continuous – 9A Peak  
Cabinet 7 1/8"(W)x4 1/4"(H)x8 1/2"(D)

**900-425** 25A Adjustable Power Supply  
25A Continuous – 30A Peak  
Fully Adjustable Output 0-15VDC  
Separate Voltage-Current Meters  
Binding Post Output Terminals  
Spring Clip Connector Terminals  
Cigarette Lighter Jack Output  
Cabinet 9 1/4"(W) x 5 3/8"(H) x 8 3/4"(D)



**900-403** 3-5 Ampere  
**900-407** 7-9 Ampere



**900-425** 25-30 Ampere