

# SourceFlex™ System

## Model SAS-8i

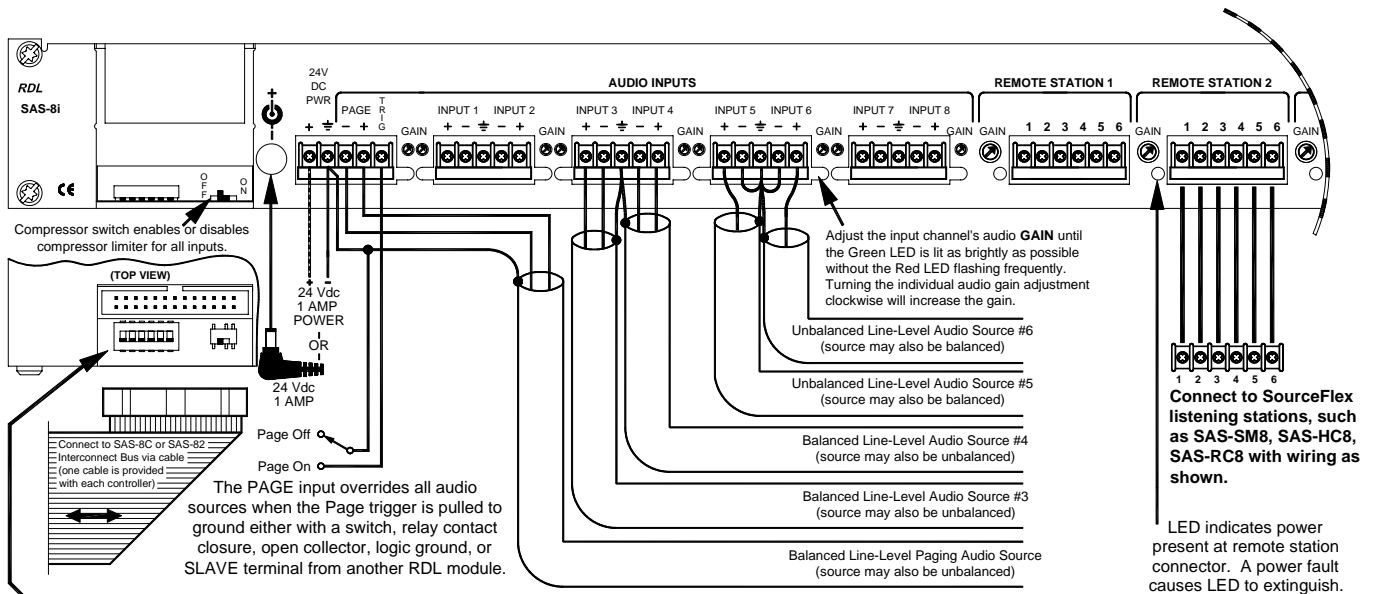
### Audio Input Chassis / 4 Station Controller

## Installation/Operation



EN55103-1 E1-E5; EN55103-2 E1-E4

Typical Performance reflects product at publication time exclusive of EMC data, if any, supplied with product. Specifications are subject to change without notice.



- #2 - Select for one or two audio sources  
 #3 - Select for three audio sources  
 #4 - Select for four audio sources  
 #5 - Select for five audio sources  
 #6 - Select for six audio sources  
 #7 - Select for seven audio sources  
 Leave all switches off for eight audio sources

In this example, only four audio sources are used. The dip-switches are set to configure the SAS-8i for however many audio sources are used. The Line-Level Audio Source Inputs **MUST** be used in order. Do not select more than one dip-switch.

### TYPICAL PERFORMANCE

Audio Inputs (switched):	8 line-level, 100 kΩ balanced or unbalanced via plug-in terminal block
Audio Input (paging over-ride):	1 line-level, 100 kΩ balanced or unbalanced via plug-in terminal block
Audio Input Level:	-22 dBu to +4 dBu, 25-turn adjustable pot
Control Input:	Paging Terminal; External closure to ground to activate
Front Panel Presets:	DIP switch to set number of inputs used
Metering:	1 Green LED (intensity indicates audio level) 1 Red LED (indicates +4 dBu audio level)
Frequency Response:	50 Hz to 35 kHz (+/-1 dB)
THD+N:	< 0.1% @ 1 KHz (bandwidth 20 Hz to 20 kHz)
Output, bus:	24-pin ribbon cable header loop-thru output to drive SAS-82 or SAS-8C
Outputs (4):	6-position removable terminal blocks (connection to remote Listening Station)
Audio Output Gain Range:	40 dB (trimmer presettable)
Indicators:	LED; Output voltage present at Remote Outputs
Power Requirement:	24 to 33 Vdc @ 1 A, Ground-referenced