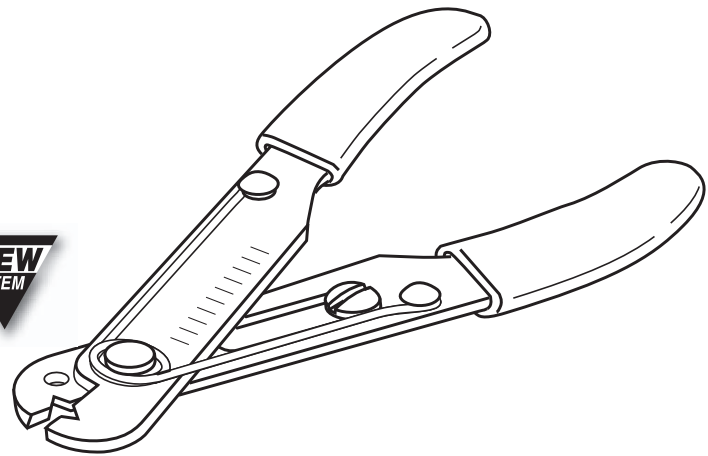
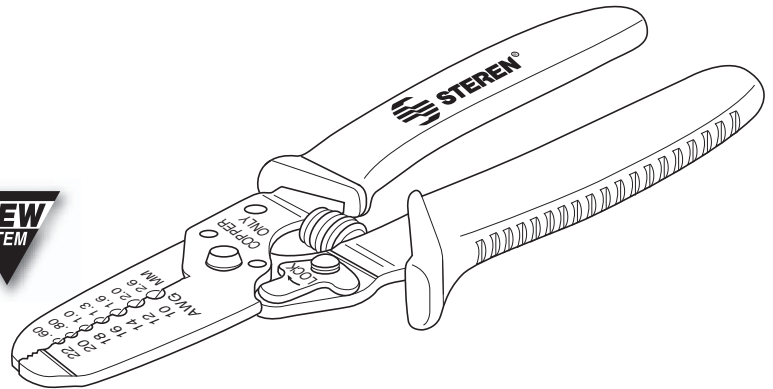


Cable Prep Tools

- 993-610** 5" Miniature Adjustable Stripper/Cutter ◀ **NEW**
Suitable for AWG10-30 Wire
Hardened-Steel – Weight 2oz.
Dimensions 1 1/2"(W) x 5"(H) x 3/16"(D)
- 993-640** Precision Stripper and Cutter ◀ **NEW**
Suitable for AWG10-22 Wire
Hardened-Steel – Weight 5oz.
Dimensions 2"(W) x 6 1/2"(H) x 3/8"(D)
- 993-650** Precision Stripper and Cutter ◀ **NEW**
Suitable for AWG20-30 Wire
Hardened-Steel – Weight 5oz.
Dimensions 2"(W) x 6 1/2"(H) x 3/8"(D)
- 993-710** Universal Cable Slitter and Stripper ◀ **NEW**
Fully Adjustable Cut Depth
Stainless Steel Cutting Blade
Makes circumferential, longitudinal
and spiral cuts – AWG12-1200MCM
Hardened-Steel – Weight 6oz.
Dimensions 1 1/2"(W) x 6"(H) x 1"(D)
- 993-750** Telecom Cable Stripper and Cutter ◀ **NEW**
Cleanly strips UTP, coax, flat cables
Cable Stops for Precise Strip Lengths
Replaceable Blades
High-Impact ABS Plastic Construction
Hardened-Steel – Weight 2oz.
Dimensions 2"(W) x 4 1/4"(H) x 1/2"(D)

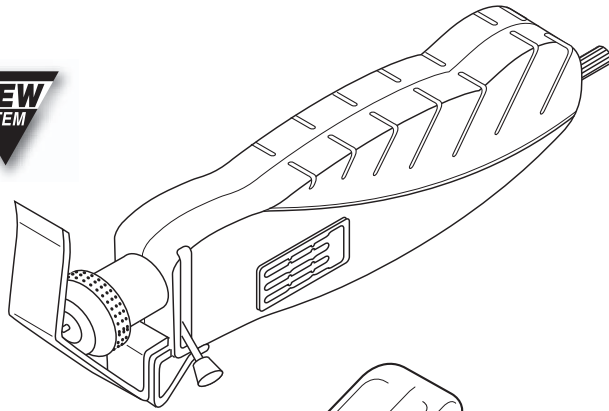


993-610 Adjustable Stripper/Cutter

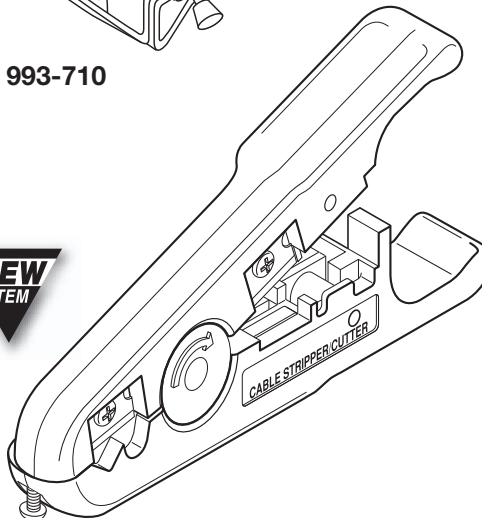


993-640 AWG10-22

993-650 AWG20-33



993-710



993-750