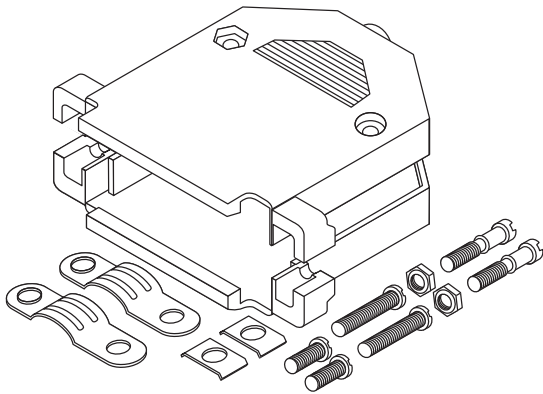
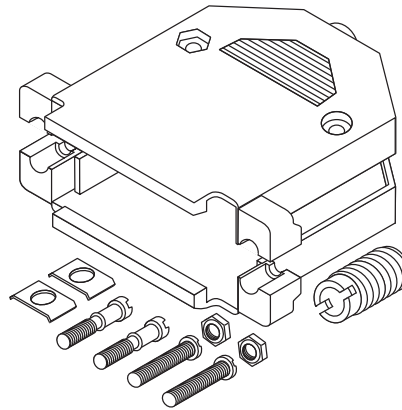


**D-Sub Housings**

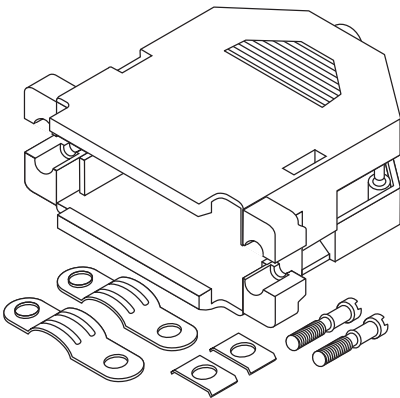
RS232 D-Subminiature Connector Covers  
High-Impact ABS Plastic or Zinc Die-Cast Construction



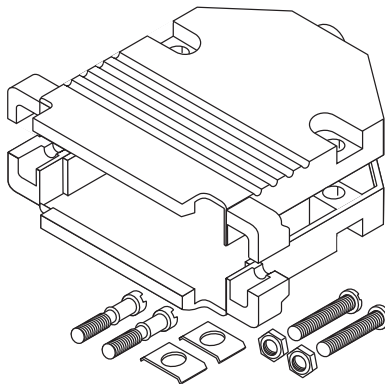
- 500-409** DE Plastic
- 500-411** DE Metallized Plastic
- 500-415** DA Plastic
- 500-417** DA Metallized Plastic
- 500-425** DB Plastic
- 500-427** DB Metallized Plastic



- 500-410** DE Plastic
- 500-412** DE Metallized Plastic
- 500-426** DB Plastic
- 500-428** DB Metallized Plastic



- 500-429** DB Plastic Snap-On



- 500-450** DE Metal
- 500-453** DA Metal
- 500-455** DB Metal

- 500-409** DE Grey Plastic Hood  
Cable-Clamp Strain Relief
- 500-410** DE Grey Plastic Hood  
Side-Screw Strain Relief
- 500-411** DE Metallized Plastic Hood  
Cable-Clamp Strain Relief
- 500-412** DE Metallized-Plastic Hood  
Side-Screw Strain Relief
- 500-415** DA Grey Plastic Hood  
Cable-Clamp Strain Relief
- 500-417** DA Metallized Plastic Hood  
Cable-Clamp Strain Relief
- 500-425** DB Grey Plastic Hood  
Cable-Clamp Strain Relief
- 500-426** DB Grey Plastic Hood  
Side-Screw Strain Relief
- 500-427** DB Metallized Plastic Hood  
Cable-Clamp Strain Relief
- 500-428** DB Metallized Plastic Hood  
Side-Screw Strain Relief
- 500-429** DB Snap-On Grey Plastic Hood  
Cable-Clamp Strain Relief
- 500-450** DE Die-Cast Metal Hood
- 500-453** DA Die-Cast Metal Hood
- 500-455** DB Die-Cast Metal Hood