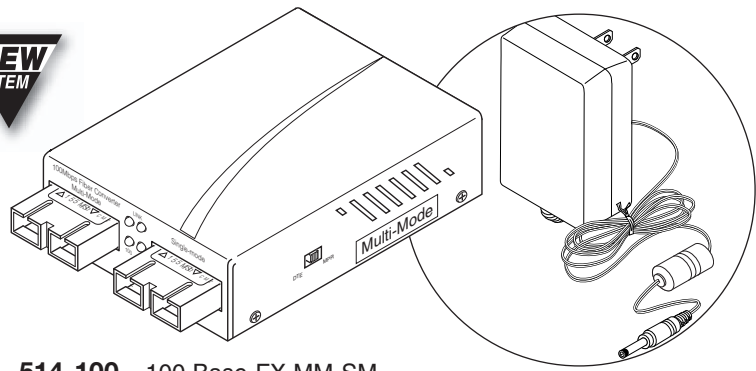


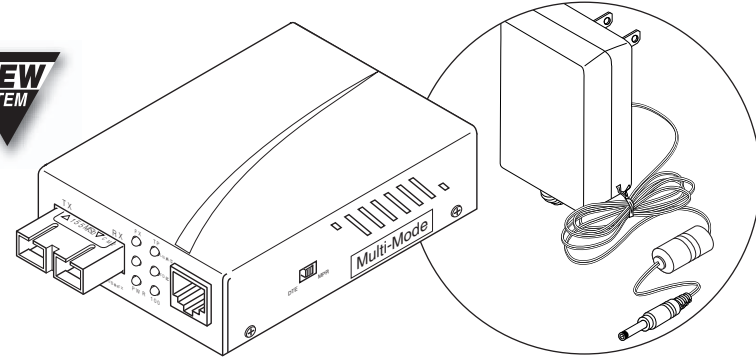


### Fiber Optic Media Converters

Fiber Optic Media Converters  
 Used in Copper-to-Fiber Conversions or  
 Multimode to Single-Mode Conversions for  
 Long-Distance Connections  
 Modulates signal for transmission over paired cables  
 Converts legacy 10Base-T and 100Base-TX to  
 100Base-FX  
 Provide effective 200Mbps performance  
 Reduce signal loss or degradation  
 Expand network to 2km over multimode (MM) or  
 20km over singlemode (SM)  
 Operating Wavelength 1310nm and 1550nm  
 LED Indicator Activity Monitoring  
 Full/Half Duplex Auto-Detection  
 Stand-Alone External 5VDC 1.5A Power Supply  
 Meet IEEE802.3 and IEEE802.3u requirements  
 CE and FCC Class A approved

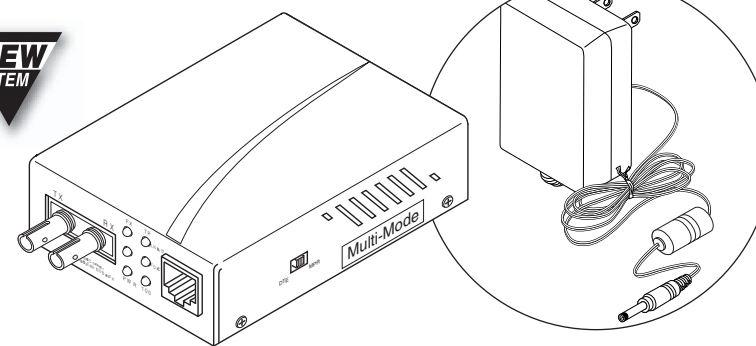


514-100 100 Base-FX MM-SM



514-110 10/100 Base-TX/FX SC-MM

514-115 10/100 Base-TX/FX SC-SM



514-111 10/100 Base-TX/FX ST-MM

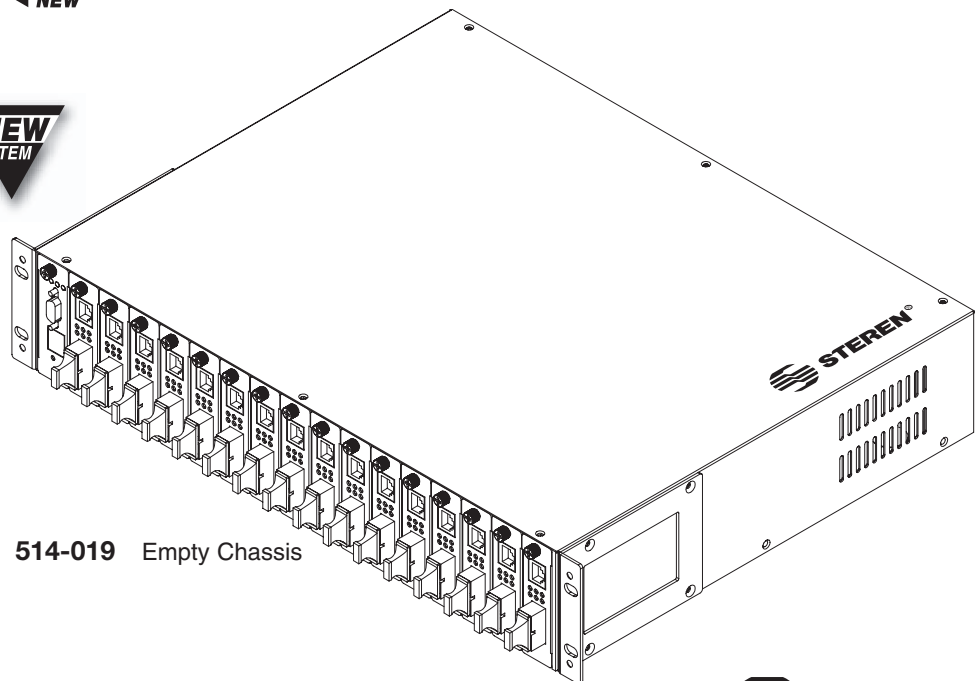
**514-019** 16 Port 19" Media Converter Chassis ◀ **NEW**  
 5VDC Power Supply Backplane  
 Allows up to 16 units to be powered  
 by internal power supply  
 High-Density Configuration  
 19" Rack Mountable  
 19" (W) x 4" (H) x 7<sup>3</sup>/<sub>4</sub>" (D)

**514-100** 100 Base-FX MM to SM Converter ◀ **NEW**  
 Dual SC to Dual SC Connectors  
 Network Distance 20km

**514-110** 10/100 Base-TX/FX MM SC Converter ◀ **NEW**  
 RJ45 to Dual SC Connectors  
 Network Distance 2km

**514-111** 10/100 Base-TX/FX MM ST Converter ◀ **NEW**  
 RJ45 to Dual ST Connectors  
 Network Distance 2km

**514-115** 10/100 Base-TX/FX SM SC Converter ◀ **NEW**  
 RJ45 to Dual SC Connectors  
 Network Distance 20km



514-019 Empty Chassis