
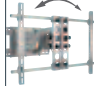



VISIONMOUNT® EXTRA LARGE MOUNTS




« Full-motion and tilting mounts feature the Virtual Axis™ mechanism for balanced tilting with the touch of a fingertip



« VMDD26 features roll control, offering $\pm 6^\circ$ pitch to ensure TV is perfectly level after hanging



« VMPL3 features an expandable wall plate and includes both tilting and low-profile brackets






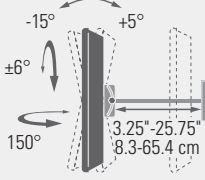

« Heavy-gauge steel and aluminum construction provides strength and durability for extra-large TVs



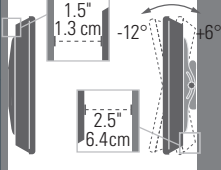





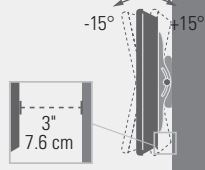
« Lateral shift allows perfect TV placement even with off-center studs



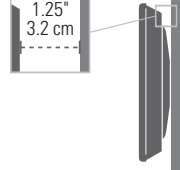



« VMDD26 has dual-hinged arms to give extra-large TVs the widest range of motion

MODEL VMDD26s-01 VMDD26b-01	DESCRIPTION Full-motion wall mount for extra-large flat-panel TVs Allows $\pm 6^\circ$ roll control to ensure TV is perfectly level after hanging			 CORNER MOUNTING	 VESA APPROVED MOUNTING	 c UL US LISTED
	PRODUCT DIMENSIONS 36" w x 3.25"-25.75" d x 24" h 91.4 x 8.3-65.4 x 61 cm	WEIGHT CAPACITY 175 lbs. 79.4 kg	TV SIZE 42" – 63"	 -15° +5° $\pm 6^\circ$ 150° 3.25"-25.75" 8.3-65.4 cm		
	MOUNTING PATTERN UNIVERSAL	FEATURE Use with VMCC1s (pg. 34) to attach a center channel speaker				

MODEL VMPL3s VMPL3b	DESCRIPTION Expandable wall mount for medium to extra-large TVs Includes both tilting and low-profile brackets			 VESA APPROVED MOUNTING	 c UL US LISTED	
	PRODUCT DIMENSIONS 27-42.25" w x 2.5" d x 17-27.5" h 68.5-107.25 x 6.4 x 43.2-69.75 cm	WEIGHT CAPACITY 280 lbs. 127 kg	TV SIZE 27" – 84"	 1.5" 1.3 cm -12° +6° 2.5" 6.4 cm		
	MOUNTING PATTERN UNIVERSAL	FEATURE Arm can be padlocked for enhanced security (low-profile brackets only)				

MODEL VMPLs VMPLb	DESCRIPTION Tilting wall mount for extra-large flat-panel TVs			 VESA APPROVED MOUNTING	 c UL US LISTED	
	PRODUCT DIMENSIONS 32" w x 3" d x 20" h 81.3 x 7.6 x 50.8 cm	WEIGHT CAPACITY 175 lbs. 79.4 kg	TV SIZE 32" – 60"	 -15° +15° 3" 7.6 cm		
	MOUNTING PATTERN UNIVERSAL					

MODEL VMPL2s VMPL2b	DESCRIPTION Low-profile wall mount for extra-large flat-panel TVs			 VESA APPROVED MOUNTING	 c UL US LISTED	
	PRODUCT DIMENSIONS 32" w x 1.25" d x 20" h 81.3 x 3.2 x 50.8 cm	WEIGHT CAPACITY 175 lbs. 79.4 kg	TV SIZE 32" – 60"	 1.25" 3.2 cm		
	MOUNTING PATTERN UNIVERSAL	FEATURE Arm can be padlocked for enhanced security				

FINISH OPTIONS	 black (b)	 silver (s)
-----------------------	--	--