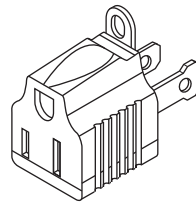


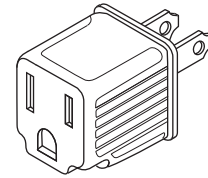
AC Plug-In Adapters

120VAC 15A 1875W 3-Wire Grounded Outlets

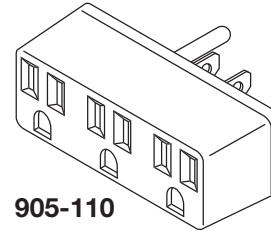
- 905-100** Polarized Grounding Adapter
3-Prong Outlet to 2-Prong Plug
- 905-101** UL Polarized Grounding Adapter
3-Prong Outlet to 2-Prong Plug
UL Listed
- 905-110** 3-Outlet Wall Tap
Converts 1 AC Outlet into 3 Outlets
UL Listed
Display Packaged for Resale



905-100



905-101



905-110

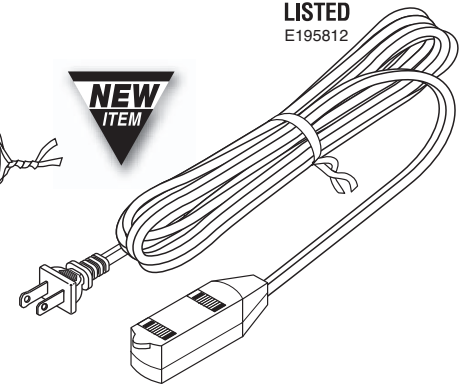
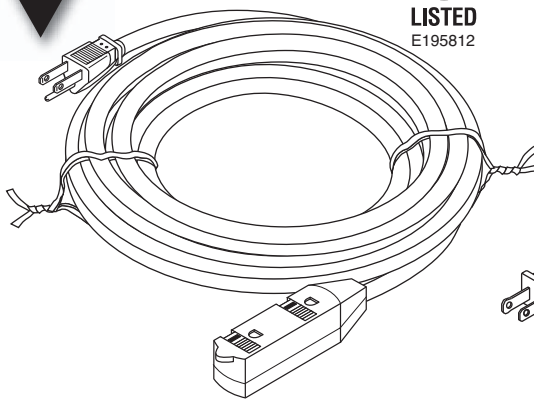


Blister-Packaged

Heavy-Duty Extension Cords

Contractor-Grade Heavy-Duty Extension Cords
14-3 SJTW Stranded Copper Wire (41 x 1.85mm)
3-Wire Grounded Outlets with Safety Covers
Bright-Yellow Thick PVC Jacket
PVC Molded NEMA 5-15 Plug
For Indoor/Outdoor Use
120VAC 15A 1875W – UL Listed

- 505-015YL** 15' Heavy-Duty Extension Cord ◀ **NEW**
- 505-025YL** 25' Heavy-Duty Extension Cord ◀ **NEW**
- 505-050YL** 50' Heavy-Duty Extension Cord ◀ **NEW**
- 505-075YL** 75' Heavy-Duty Extension Cord ◀ **NEW**
- 505-100YL** 100' Heavy-Duty Extension Cord ◀ **NEW**

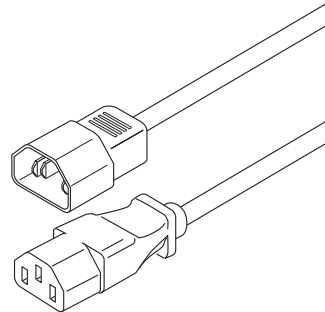


Regular-Duty Extension Cords

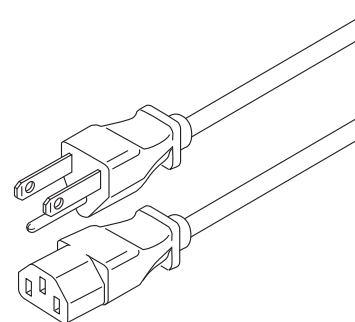
Consumer-Grade Regular-Duty Extension Cords
16-2 SPT-2 Stranded Copper Wire (65 x 1.5mm)
2-Wire Grounded Outlets with Safety Covers
PVC Molded Connectors and Polarized Plugs
White PVC Jacket – For Indoor/Outdoor Use
120VAC 15A 1875W – UL Listed

- 505-106WH** 6' Regular-Duty Extension Cord ◀ **NEW**
- 505-112WH** 12' Regular-Duty Extension Cord ◀ **NEW**
- 505-115WH** 15' Regular-Duty Extension Cord ◀ **NEW**
- 505-125WH** 25' Regular-Duty Extension Cord ◀ **NEW**

- 505-015YL** 15' Yellow
- 505-025YL** 25' Yellow
- 505-050YL** 50' Yellow
- 505-075YL** 75' Yellow
- 505-100YL** 100' Yellow



505-370 6' Double Insulated



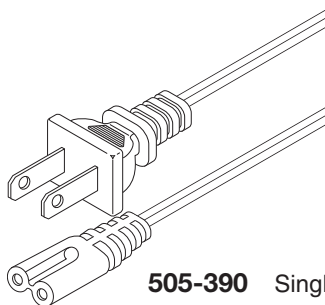
505-375 6' Double Insulated



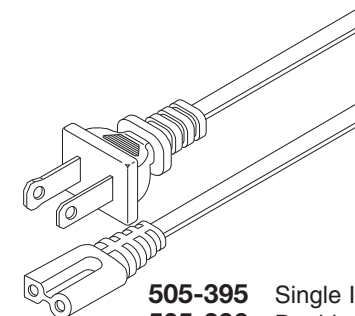
Equipment AC Power Cords

Power Cords Suitable for Personal Computers,
Printers, Office Equipment, Instrumentation and
Consumer Electronics Applications
AWG18 Stranded Copper Wire – Black Jacketed
120VAC 15A 1875W – UL Listed

- 505-370** 6' 3-Conductor Extension Power Cord
Double-Insulated – Grounded
- 505-375** 6' 3-Conductor Power Cord
Double-Insulated – Grounded
- 505-390** 6' 2-Conductor Non-Polarized Cord
Single-Insulated
- 505-395** 6' 2-Conductor Polarized Cord
Single-Insulated
- 505-396** 6' 2-Conductor Polarized Cord
Double-Insulated



505-390 Single Insulated



505-395 Single Insulated
505-396 Double Insulated