



RDL[®]
Radio Design Labs

SPECIALISTS IN PRACTICAL PRECISION ENGINEERING™

Model FP-DCC1 DC to DC Converter

ANYWHERE YOU NEED...

- 24 Vdc Power from 12 Vdc Source
- Mobile Powering of 24 Vdc Modules
- 24 Vdc Ground-referenced Power
- Separate High Current and Low Noise Outputs
- Terminal Block and dc Jack Outputs
- Ultra-Compact All Metal Construction
- Convenience of RDL FLAT-PAKs



You Need The FP-DCC1!

The FP-DCC1 is part of the group of versatile FLAT-PAK products from Radio Design Labs. The unique FLAT-PAK case can be directly screwed or bolted to cabinets or shelves. Optionally available rack-mounting accessories permit single or multiple FLAT-PAK module mounting. All FLAT-PAK modules are supplied with a power interconnect cable for daisy chaining multiple modules from a single power supply.

APPLICATION: The FP-DCC1 is the ideal choice in many applications where audio or video modules need to be powered from a 12 Vdc source. Ground-referenced RDL modules may be operated from one of the FP-DCC1's two outputs. One is a high current output providing 400 mA @ 24 Vdc intended to power multiple modules (see RDL ST-PD5 Power Supply Distributor for multiple module installations) or RDL audio power amplifiers (such as ST-PA2 or ST-PA6). A second low noise output is heavily filtered and provides 50 mA @ 24 Vdc specifically to power microphone level high gain modules, such as microphone preamplifiers. Both outputs may be used simultaneously. When the FP-DCC1 is used to power one or more Flat-Pak series modules, the high current (400 mA) output is connected through the dc power jack located on the connection end panel. Other ground-referenced modules are powered by connecting to the plug-in terminal block on the FP-DCC1. Input power connections are also made using either the plug-in barrier block terminals.

The FP-DCC1 outputs are regulated to provide 24 Vdc for input voltages normally encountered in 12 Vdc battery circuits. If voltage in excess of 15 Vdc (possible if a vehicle's regulator should fail) is connected to the FP-DCC1 input, the module protects itself by shutting down its internal circuitry and illuminating the **OVERVOLTAGE** LED. The FP-DCC1 input and outputs are protected against excessive currents and reverse voltages. Two fuses are provided. These fuses are the standard miniature automotive plug-in blade style. The FP-DCC1 is not intended to power floating (bipolar) modules. Adequate ventilation is recommended.

The FP-DCC1's low profile and compact size permit mounting in confined spaces and in various locations. The removable input/output connectors permit pre-wiring and subsequent module installation in tight spaces. Wherever regulated, ground-referenced 24 Vdc power from a 12 Vdc source is needed to provide reliable compact power, the FP-DCC1 is the ideal choice. Combine it with other RDL products as part of a complete mobile audio/video system.

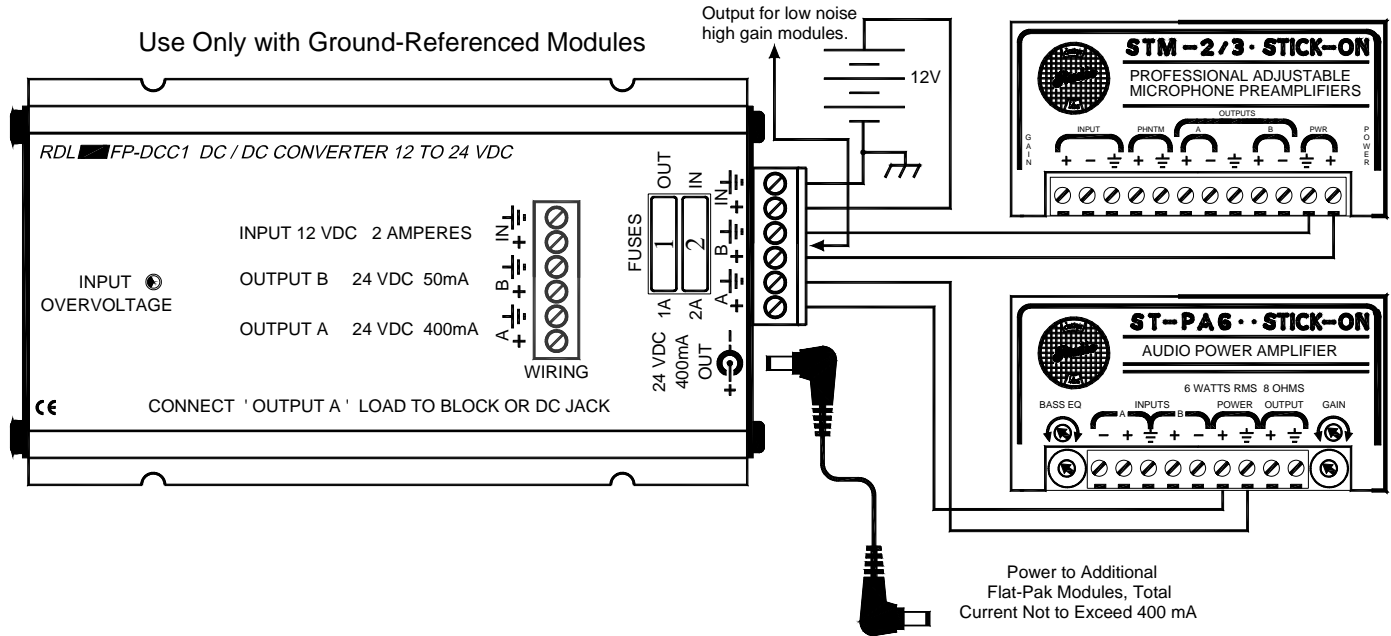
Model FP-DCC1 DC to DC Converter

Installation/Operation



EN55103-1 E1-E5; EN55103-2 E1-E4

Typical Performance reflects product at publication time exclusive of EMC data, if any, supplied with product. Specifications are subject to change without notice.



TYPICAL PERFORMANCE

Outputs (3):

- One 24 Vdc regulated @ 400 mA (plug-in terminal block)
- One 24 Vdc regulated @ 400 mA (dc power jack)
- (Note: The *combined* load for both the above outputs is 400 mA)
- One 24 Vdc regulated @ 50 mA filtered (plug-in terminal block)

Fuses (2):

- One 2 A Automotive blade style miniature fuse (Input)
- One 1 A Automotive blade style miniature fuse (Output)

Power Requirement:

- 11 to 14 Vdc @ 1 A, Ground-referenced (plug-in terminal block)

Overall Dimensions:

- Height: 1.25 in. 3.18 cm
- Width: 3.25 in. 8.26 cm
- Length: 6.54 in. 16.61 cm