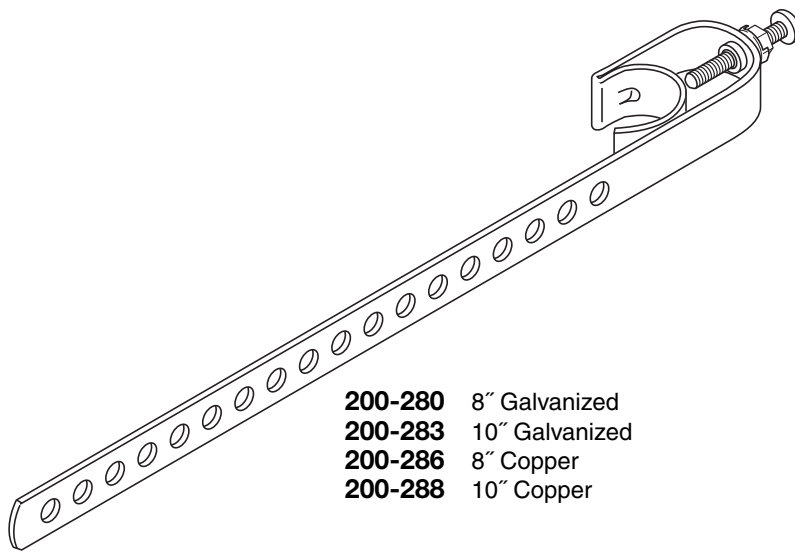


**Ground Straps**

Solid Copper or Galvanized Steel Ground Straps Provide low resistance ground connection for grounding CATV, satellite or telephone drops Adjustable Easy-Install for Permanent Connection to Water Pipes or Service Masts to AWG10-14 Ground Wire – Weather Resistant G90 galvanized steel meets salt test ASTM-B117

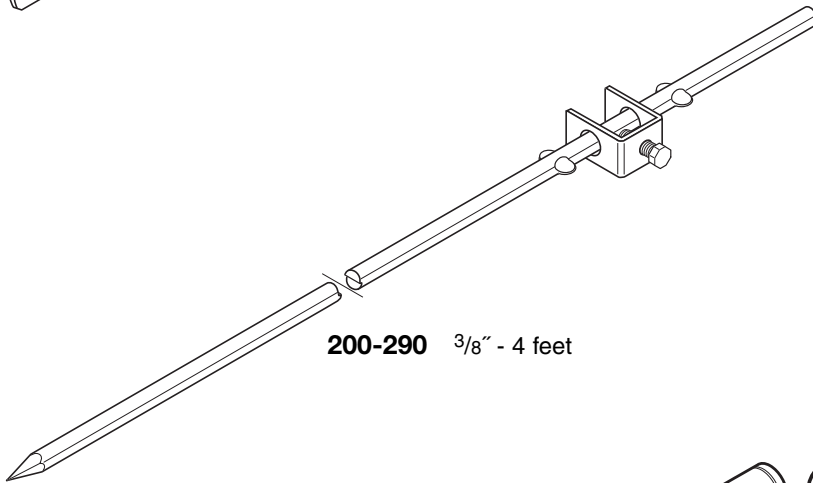


- 200-280** 8" Galvanized
- 200-283** 10" Galvanized
- 200-286** 8" Copper
- 200-288** 10" Copper

- 200-280** 8" Galvanized Ground Strap Suitable for 1/2"-2" Diameter Pipe
- 200-283** 10" Galvanized Ground Strap Suitable for 1/2"-2 1/2" Diameter Pipe
- 200-286** 8" Copper Ground Strap Suitable for 1/2"-2" Diameter Pipe
- 200-288** 10" Copper Ground Strap Suitable for 1/2"-2 1/2" Diameter Pipe

**Grounding Rods**

Copper-Bonded Steel Grounding Rods 3/8" or 5/8" High-Strength Carbon-Steel Cold-Drawn for Increased Strength Conical tapered point eases soil penetration



**200-290** 3/8" - 4 feet

- 200-290** 4' Universal 3/8" Grounding Rod Includes Hex-Bolt Ground Clamp

- NEW ▶ 200-291** 8' Universal 5/8" Grounding Rod UL Listed – Grounding and Bonding

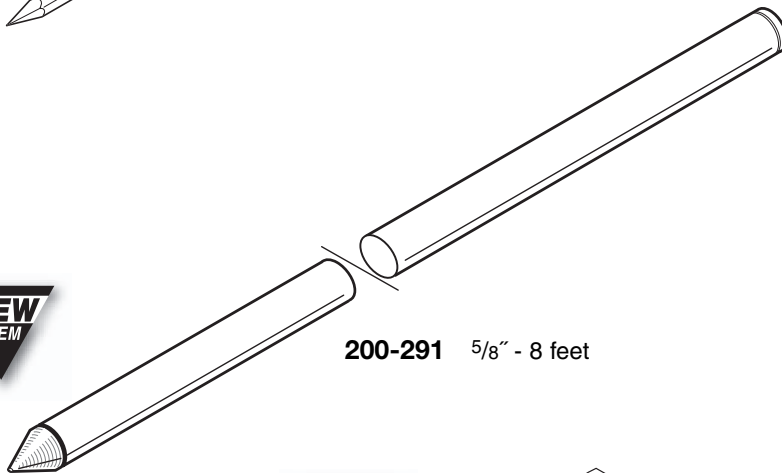


**Silicone Compounds**

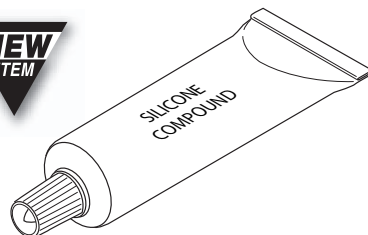
- 200-995** 1oz. Clear Silicone RTV Compound Cures to a tough resilient rubber texture Seals and insulates to prevent water penetration and galvanic corrosion

- NEW ▶ 200-996** 3oz. Clear Silicone RTV Compound Cures to a tough resilient rubber texture Seals and insulates to prevent water intrusion and corrosion

- 200-998** 5.3oz. Silicone Grease Compound Non-Curing All-Purpose Water Repellent Seals cable-connector junctions to prevent water intrusion and corrosion



**200-291** 5/8" - 8 feet



- 200-995** 1oz. Silicone Adhesive RTV
- 200-996** 3oz. Silicone Adhesive RTV
- 200-998** 5.3oz. Silicone Grease