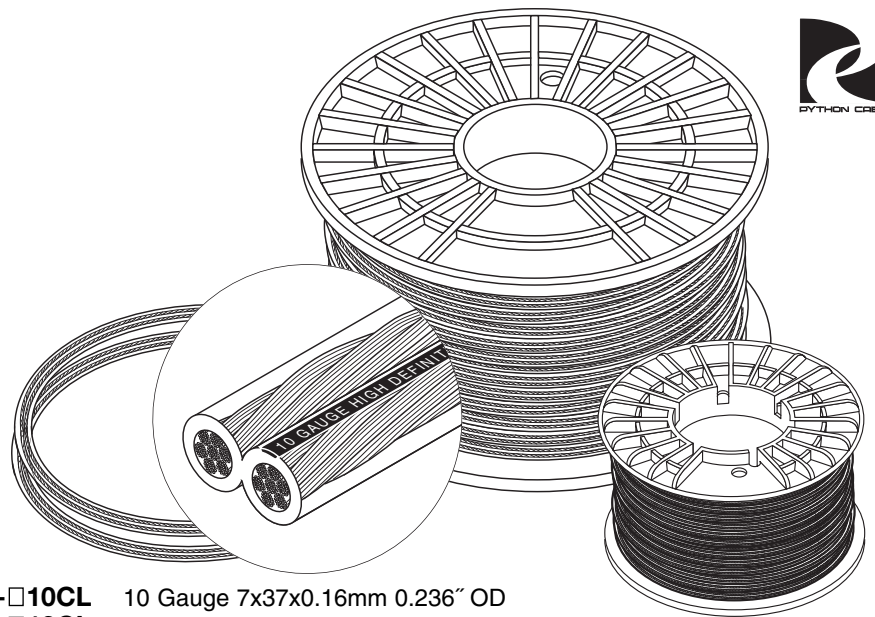


Python²™ Speaker Cable

Ultra-Flexible High-Definition Speaker Cable
 Exceptional Performance, Sound Quality for
 Professional Speaker and Audio Connections
 Delivers rich, realistic sound in long runs
 Dense, Finely Stranded Parallel Rope-Lay
 10 and 12 Gauge Wire, High Twist Count
 99.99% Pure Oxygen-Free Copper Conductors
 Clear PVC Jacket – Blue Polarity Stripe

- 255-410CL** 500' 12 Gauge Python² Cable
- 255-413CL** 500' 12 Gauge Python² Cable
- 255-510CL** 100' 10 Gauge Python² Cable
- 255-513CL** 100' 12 Gauge Python² Cable

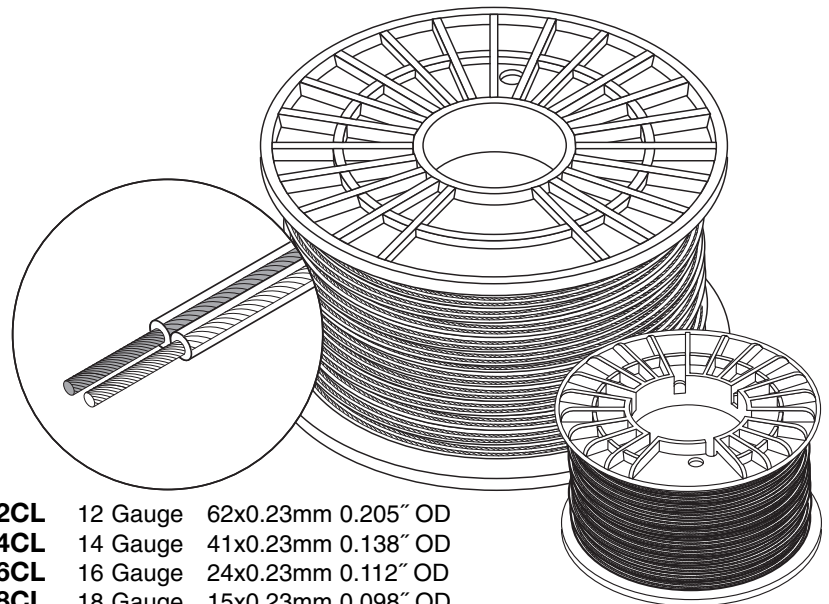


- 255-□10CL** 10 Gauge 7x37x0.16mm 0.236" OD
- 255-□13CL** 12 Gauge 7x23x0.16mm 0.236" OD

Bulk Speaker Cable

Standard Application Speaker Cable
 Good Performance and Sound Quality for
 Most Speaker and Audio Equipment Connections
 Delivers fine quality sound in long runs
 Parallel Conductors, Polarized Bare Copper-Tinned
 99.99% Pure Oxygen-Free Copper Conductors
 Clear Flexible PVC Jacket – Black Plastic Spool

- 255-314CL** 1000' 14-Gauge Clear
- 255-316CL** 1000' 16-Gauge Clear
- 255-318CL** 1000' 18-Gauge Clear
- 255-320CL** 1000' 20-Gauge Clear
- 255-322CL** 1000' 22-Gauge Clear
- 255-324CL** 1000' 24-Gauge Clear
- 255-412CL** 500' 12-Gauge Clear
- 255-414CL** 500' 14-Gauge Clear
- 255-416CL** 500' 16-Gauge Clear
- 255-418CL** 500' 18-Gauge Clear
- 255-512CL** 100' 12-Gauge Clear
- 255-514CL** 100' 14-Gauge Clear
- 255-516CL** 100' 16-Gauge Clear
- 255-518CL** 100' 18-Gauge Clear
- 255-712CL** 50' 12-Gauge Clear
- 255-714CL** 50' 14-Gauge Clear
- 255-716CL** 50' 16-Gauge Clear
- 255-718CL** 50' 18-Gauge Clear
- 255-720CL** 50' 20-Gauge Clear

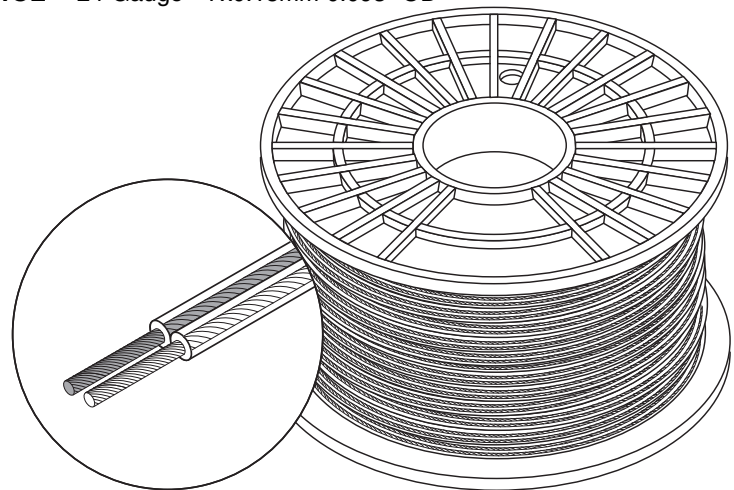


- 255-□12CL** 12 Gauge 62x0.23mm 0.205" OD
- 255-□14CL** 14 Gauge 41x0.23mm 0.138" OD
- 255-□16CL** 16 Gauge 24x0.23mm 0.112" OD
- 255-□18CL** 18 Gauge 15x0.23mm 0.098" OD
- 255-□20CL** 20 Gauge 10x0.23mm 0.093" OD
- 255-□22CL** 22 Gauge 7x0.23mm 0.093" OD
- 255-□24CL** 24 Gauge 7x0.18mm 0.093" OD

Economy Speaker Cable

Economy-Grade Speaker Cable
 Acceptable Performance for Speaker and
 Audio Equipment Connections
 Parallel Conductors, Polarized Bare Copper-Tinned
 99.99% Pure Oxygen-Free Copper Conductors
 Clear Flexible PVC Jacket – Black Plastic Spool

- 255-315CL** 1000' 14 Gauge Consumer-Grade
- 255-317CL** 1000' 16 Gauge Consumer-Grade
- 255-319CL** 1000' 18 Gauge Consumer-Grade



- 255-315CL** 14 Gauge-Economy 24x0.23mm 0.138" OD
- 255-317CL** 16 Gauge-Economy 15x0.23mm 0.112" OD
- 255-319CL** 18 Gauge-Economy 10x0.23mm 0.098" OD