

900MHz MATV Splitters

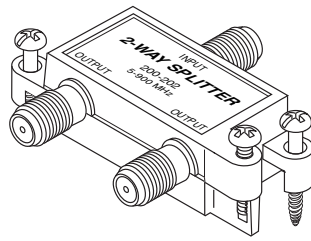
5-900MHz 75Ω MATV Low-Cost F Splitters
Suitable for Consumer MATV Applications
DC Power-Passing – Epoxy-Sealed Back-Cover
Anti-Corrosion Plating – Zinc-Alloy Cast Housing
Mounting Tabs with Screws – Cast-In Ground Block

- 200-202** 2-Way 900MHz F Mini-Splitter
- 200-203** 3-Way 900MHz F Mini-Splitter
- 200-204** 4-Way 900MHz F Mini-Splitter
- 200-206** 6-Way 900MHz F-Splitter
- 200-208** 8-Way 900MHz F-Splitter
- 200-212** 2-Way 900MHz F Mini-Splitter – Gold
- 200-213** 3-Way 900MHz F Mini-Splitter – Gold
- 200-214** 4-Way 900MHz F Mini-Splitter – Gold
- 200-222** 2-Way 900MHz F-Splitter
- 200-223** 3-Way 900MHz F-Splitter
- 200-224** 4-Way 900MHz F-Splitter

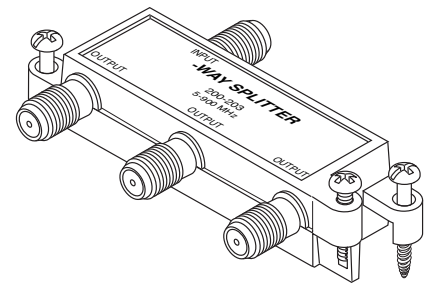
1GHz 90dB F-Splitters

5-1000MHz 75Ω High-Isolation F-Splitters
Capacitor-Coupled DC Power Blocked All Ports
90dB min RFI Shielding – Epoxy-Sealed Back-Cover
High-Performance Printed-Board Circuitry
Improved Hum Modulation and Intermodulation
Yellow-Chromate Plating – Zinc-Alloy Cast Housing
3/8" Precision Machined F-Connector Threads
Mounting Tabs with Screws – Cast-In Ground Block
1" centered F-ports accommodate security tools
SCTE Compliant SC IPS SP 202, 203;
SC IPS TP 406, 409; SCTE 29, 48, 04

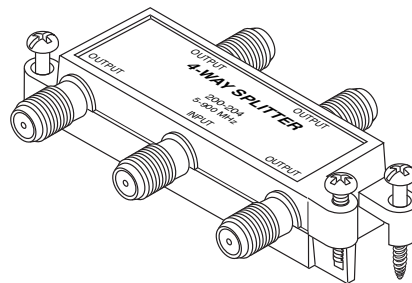
- 201-201** 3-Way Balanced 1GHz 90dB F-Splitter
Insertion Loss 6.7dB max.
Port-Port Isolation 27dB min.
Input Return Loss 24dB min.
- 201-202** 2-Way 1GHz 90dB F-Splitter
Insertion Loss 4.5dB max.
Port-Port Isolation 31dB min.
Input Return Loss 20dB min.
- 201-203** 3-Way 1GHz 90dB F-Splitter
Insertion Loss 3.9/7.7dB max.
Port-Port Isolation 25dB min.
Input Return Loss 26dB min.
- 201-204** 4-Way 1GHz 90dB F-Splitter
Insertion Loss 7.7dB max.
Port-Port Isolation 28dB min.
Input Return Loss 25dB min.



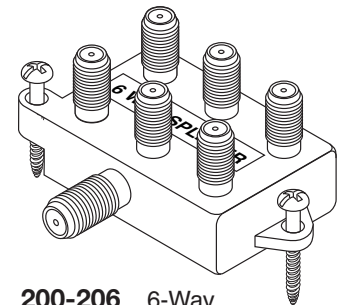
200-202 2-Way Mini
200-212 2-Way Mini Gold
200-222 2-Way



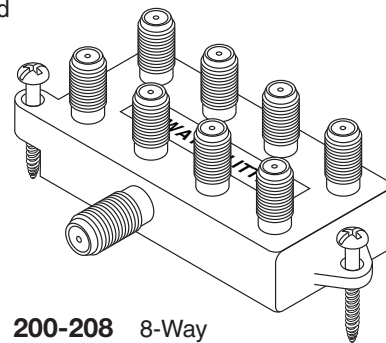
200-203 3-Way Mini
200-213 3-Way Mini Gold
200-223 3-Way



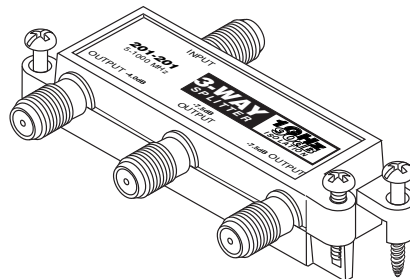
200-204 4-Way Mini
200-214 4-Way Mini Gold
200-224 4-Way



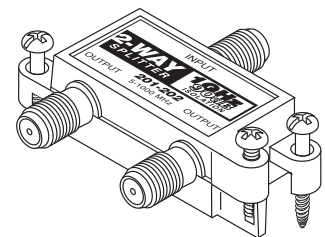
200-206 6-Way



200-208 8-Way



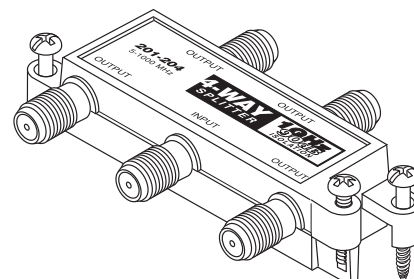
201-201 3-Way Balanced 1GHz 90dB
201-203 3-Way 1GHz 90dB



201-202 2-Way 1GHz 90dB



Chromate Plated
Epoxy-Sealed
DC Blocked



201-204 4-Way 1GHz 90dB