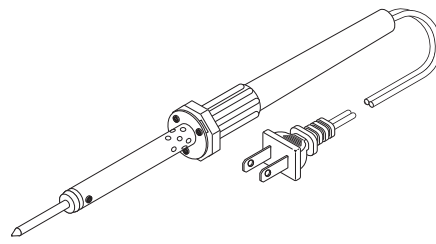
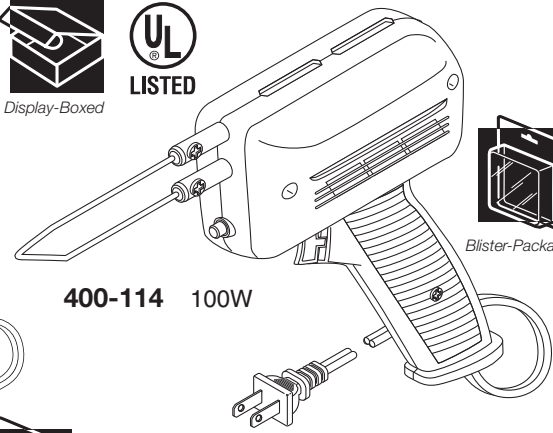


## Soldering Irons

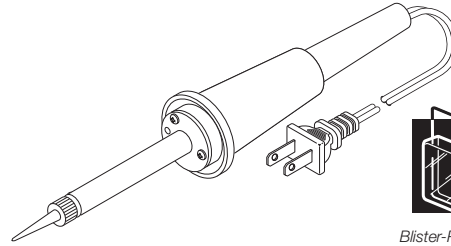
- 400-105** 30-Watts Pencil Soldering Iron  
Bakelite Construction – 1/8" Tip  
Display Packaged for Resale
- 400-110** 30-Watts UL Pencil Soldering Iron  
Bakelite Construction – 1/8" Tip  
Display Packaged for Resale
- 400-114** 100-Watts Soldering Gun  
General Purpose Applications  
Display Packaged for Resale
- 400-130** 40-Watts Pencil Soldering Iron  
Bakelite Construction Rubber-Grip  
Nickel-Plated Iron-Clad Conical Tip  
Display Packaged for Resale
- 400-132** Replacement Conical Tip for  
Soldering Iron 400-130
- 400-140** Soldering Station  
Electronic Temperature Regulation  
Adjustable Dial Range 300-700°F  
48-Watt 24-Volt  
Anti-Static Fully Grounded  
LED-Array Temperature Display  
Built-in Tray with Cleaning Sponge  
Non Heat-Sinking Spring Funnel  
Nickel-Plated Iron-Clad Conical Tip  
117VAC Grounded 3-Wire Cord  
Display Packaged for Resale
- 400-180** Soldering Iron Stand  
Non Heat-Sinking Spring Funnel  
Cooling Tray and Sponge  
Display Packaged for Resale



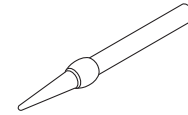
**400-105** 30W Non-UL  
**400-110** 30W UL



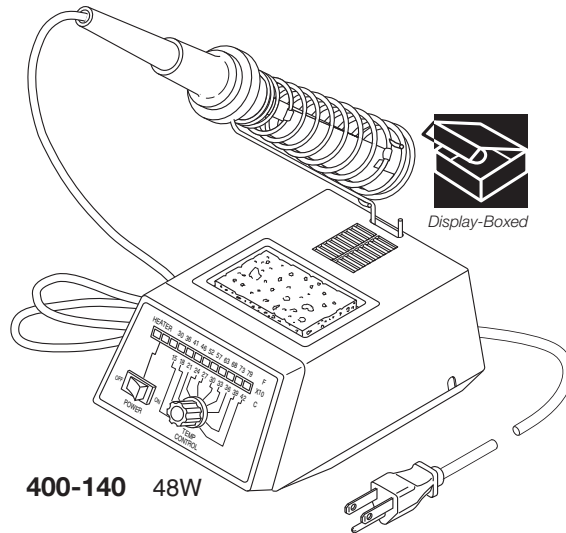
**400-114** 100W



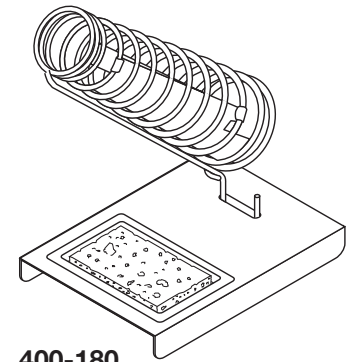
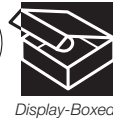
**400-130** 40W



**400-132**



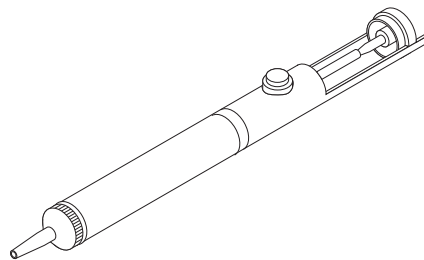
**400-140** 48W



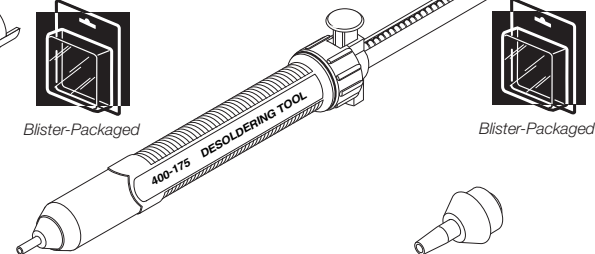
**400-180**

## Desoldering Pumps

- 400-170** Anti-Static Desoldering Pump  
Aluminum-Plastic Construction  
Self-Cleaning – Rugged TFE Tip  
Display Packaged for Resale
- 400-175** Rugged Precision Desoldering Pump  
High Vacuum for Volume Desoldering  
1ms Regulated Return  
Uniform Reset Pressure  
Corrosion Resistant – Heavy Duty  
High-Temperature Replaceable TFE Tip  
Display Packaged for Resale
- 400-177** Replacement TFE Tip for 400-175



**400-170**



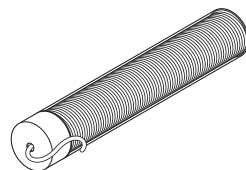
**400-175**



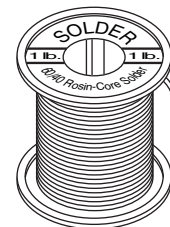
**400-177**

## Solder

- AWG18 0.040" 60/40 Rosin Core Solder  
370°F Melting Point
- 400-150** 7' Solder Tube Dispenser
- 400-155** 1-lb Solder Spool



**400-150** 7' AWG18



**400-155** 1-lb AWG18



**400-168** 5'

## Desoldering Braid

- 400-168** 5'x0.1" Copper Desoldering Braid