



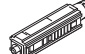
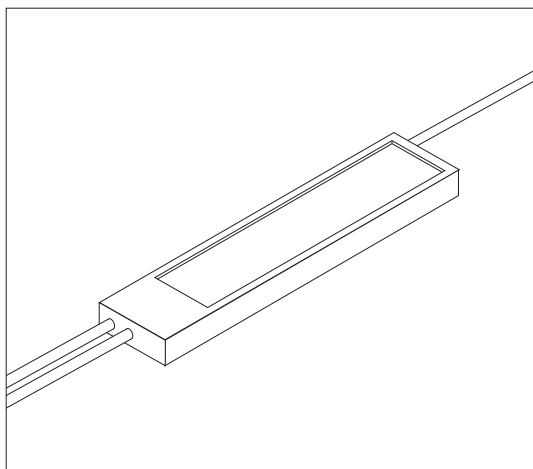


**Ordering Instructions:** Complete the form by filling in each block with the appropriate bold letter or number that corresponds to the choice in each menu item. The product must have a combination of 11 letters/numbers.  
**Example: FW350S1BB1P**

## Fiber Optic WDMs

<b>F</b>	<b>W</b>	<b>35</b>	<b>0</b>	<b>S</b>	<b>1</b>		<b>B</b>		
<i>Fill out remaining spaces ▶▶▶▶</i>									
Fiber	Type	Wavelength	Fiber Type	Grade	Port	Package Type	Pigtail Length	Connector	Polish
<b>F</b> Fiber	<b>W</b> Wavelength Division Multiplexer (WDM)	<b>35</b> 1310/1550nm	<b>0</b> SMF-28	<b>S</b> Super	<b>1</b> 1 x 2	<b>B</b> 250µm Bare Fiber <b>L</b> 900µm Loose Tube <b>3</b> φ3mm Cable	<b>B</b> 1 Meter	<b>N</b> No Connector <b>1</b> ST  <b>2</b> SC  <b>3</b> FC  <b>5</b> LC  <b>6</b> MU 	<b>0</b> No Polish <b>P</b> PC <b>U</b> UPC (Ultra) <b>A</b> APC (Angle)



### Specifications

- Fiber Optic WDMs Available in a Variety of Types
- 1m Pigtail Length
- SMF-28 Fiber – Super Grade
- 1310/1550nm Wavelength
- 1 x 2 Port Configuration
- Choose by package type, connector and polish
- Precision Manufactured
- 100% Factory Tested and Certified
- Excellent Insertion and Return Loss Characteristics
- Compliant with TIA/EIA-568B.3