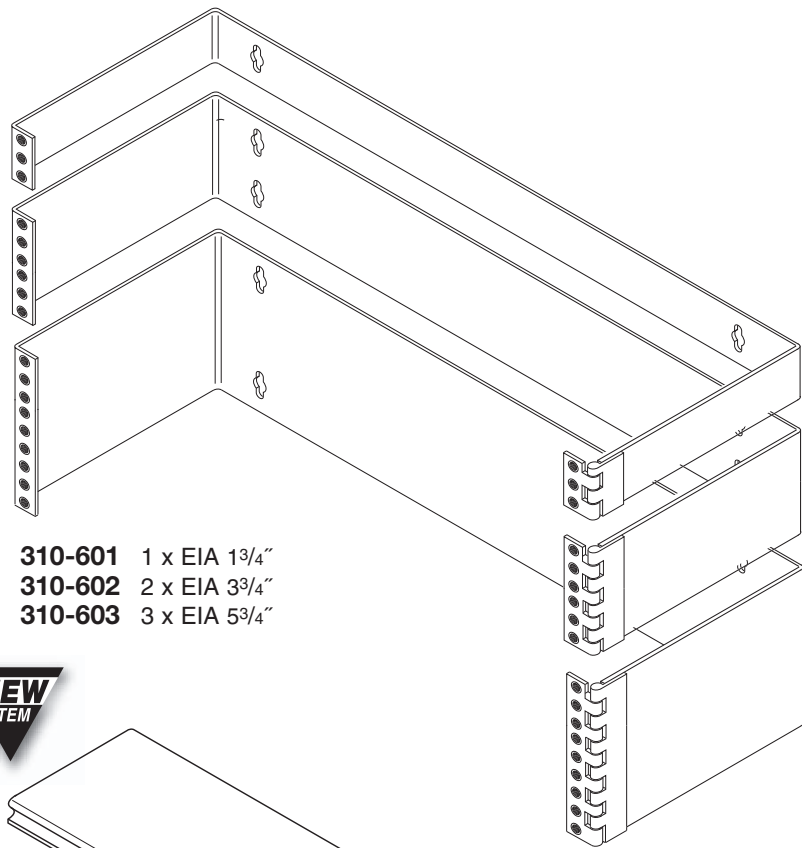


Hinged Wall-Mount Brackets

Convenient Alternative to Full Size Racks for Direct Wall-Mounting – 6" Depth
Hinges allow rear-access to mounted components
19" Standard Width – EIA Unit-Spacing Compliant
16-Gauge Black Electrostatic Powder-Coated Steel
Includes 10-32 rack screws

- 310-601** 1 x EIA Unit Hinged Wall-Mount Bracket
Dimensions 19"(W) x 1³/₄"(H) x 6"(D)
- 310-602** 2 x EIA Unit Hinged Wall-Mount Bracket
Dimensions 19"(W) x 3¹/₂"(H) x 6"(D)
- 310-603** 3 x EIA Unit Hinged Wall-Mount Bracket
Dimensions 19"(W) x 5¹/₄"(H) x 6"(D)

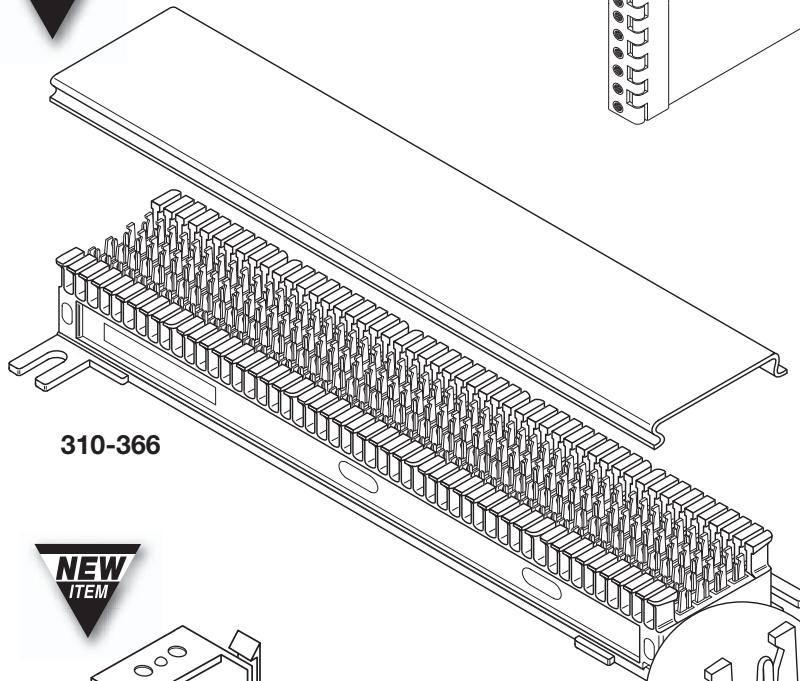


- 310-601** 1 x EIA 1³/₄"
- 310-602** 2 x EIA 3³/₄"
- 310-603** 3 x EIA 5³/₄"

50-Pair Wiring Blocks

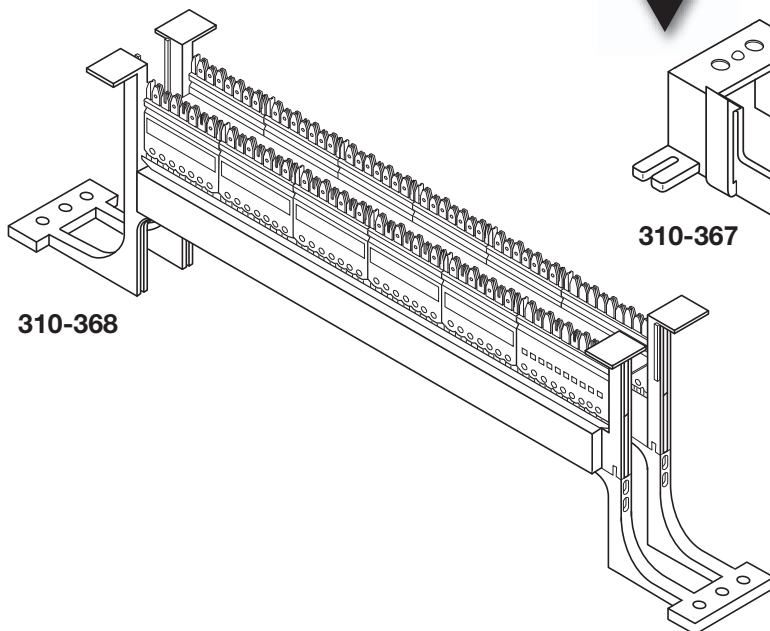
50-Pair Modular 66-IDC and 110-IDC Wiring Blocks
Used in equipment rooms and wiring closets to connect telephone systems, PBX systems and other low-speed terminal equipment
Flame Retardant Thermoplastic Construction
Quick-Connect 66-IDC and 110-IDC Terminals
Terminates solid copper wire Category 3 AWG24 to Category-6 AWG23

- 310-366** 50-Pair Split 66-IDC Type Block
2¹/₈"(W) x 10"(H) x 1¹/₈"(D)
- 310-367** Mounting Bracket for 66 Block
1⁷/₈"(W) x 10"(H) x 1¹/₂"(D)
- 310-368** 50-Pair 110-IDC Type Block
1³/₄"(W) x 10³/₄"(H) x 1¹/₄"(D)



310-366

310-367



310-368