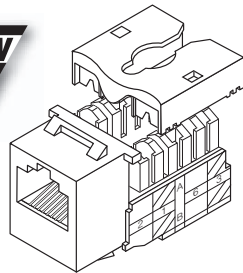
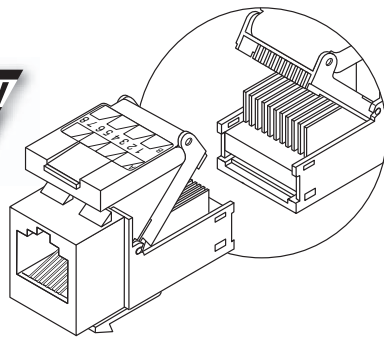


310-130 □□ Almond, Black, Blue, Green, Ivory, Orange, Red, White, Yellow



310-140 □□ Almond, Black, Blue, Green, Ivory, Orange, Red, White, Yellow



310-150WH White

Category-5E Tool-less Jacks

Tool-less Category-5E UL Keystone Jacks
 Quick and Secure Self-Terminating IDC Mechanism
 8-Conductor Beryllium-Copper Modular Jack Contacts
 50µ" Hard Gold Plating over 80µ" Nickel
 Tinned AWG22-26 110-IDC Contacts
 Conforms to EIA/TIA T568A/B standards – 350MHz
 Conforms to FCC Part 68.5 requirements
 UL94V-0 Thermoplastic ABS Housing

- NEW ▶ 310-130AL** RJ45 Almond CAT5E Tool-less Jack
- NEW ▶ 310-130BK** RJ45 Black CAT5E Tool-less Jack
- NEW ▶ 310-130BL** RJ45 Blue CAT5E Tool-less Jack
- NEW ▶ 310-130GR** RJ45 Green CAT5E Tool-less Jack
- NEW ▶ 310-130IV** RJ45 Ivory CAT5E Tool-less Jack
- NEW ▶ 310-130OR** RJ45 Orange CAT5E Tool-less Jack
- NEW ▶ 310-130RD** RJ45 Red CAT5E Tool-less Jack
- NEW ▶ 310-130WH** RJ45 White CAT5E Tool-less Jack
- NEW ▶ 310-130YL** RJ45 Yellow CAT5E Tool-less Jack

Category-6 Fast Media™ Jacks

Fast Media™ Category-6 UL Keystone Jacks
 8-Conductor Beryllium-Copper Modular Jack Contacts
 50µ" Hard Gold Plating over 80µ" Nickel Plating
 Tinned AWG22-26 110-IDC Contacts
 Conforms to EIA/TIA T568A/B – 550MHz
 Conforms to FCC Part 68.5 requirements
 UL94V-0 Thermoplastic ABS Housing

- NEW ▶ 310-140AL** RJ45 Almond FastMedia™ CAT6 Jack
- NEW ▶ 310-140BK** RJ45 Black FastMedia™ CAT6 Jack
- NEW ▶ 310-140BL** RJ45 Blue FastMedia™ CAT6 Jack
- NEW ▶ 310-140GR** RJ45 Green FastMedia™ CAT6 Jack
- NEW ▶ 310-140IV** RJ45 Ivory FastMedia™ CAT6 Jack
- NEW ▶ 310-140OR** RJ45 Orange FastMedia™ CAT6 Jack
- NEW ▶ 310-140RD** RJ45 Red FastMedia™ CAT6 Jack
- NEW ▶ 310-140WH** RJ45 White FastMedia™ CAT6 Jack
- NEW ▶ 310-140YL** RJ45 Yellow FastMedia™ CAT6 Jack

CAT6 Fast Media™ Tool-less Jack

- NEW ▶ 310-150WH** RJ45 Fast Media™ Category-6 Tool-less Keystone Jack
 Self-Terminating IDC Mechanism
 Beryllium-Copper Contacts
 50µ" Gold Plating over 80µ" Nickel
 Tinned AWG22-26 Contacts
 EIA/TIA T568A/B – 550MHz
 Conforms to FCC Part 68.5
 UL94V-0 Thermoplastic Housing