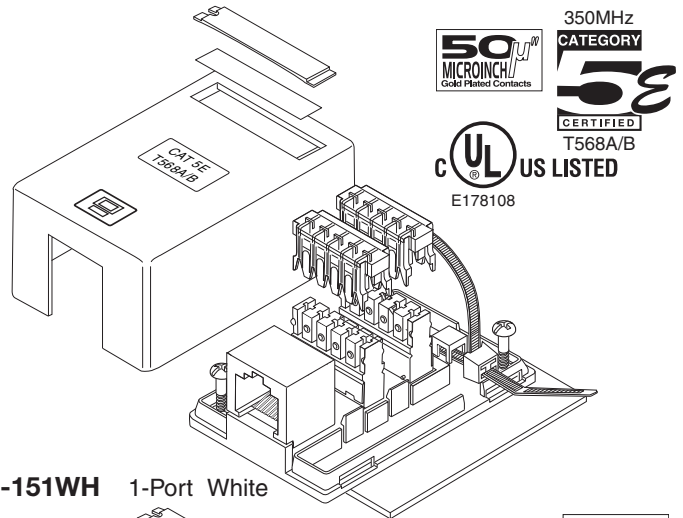
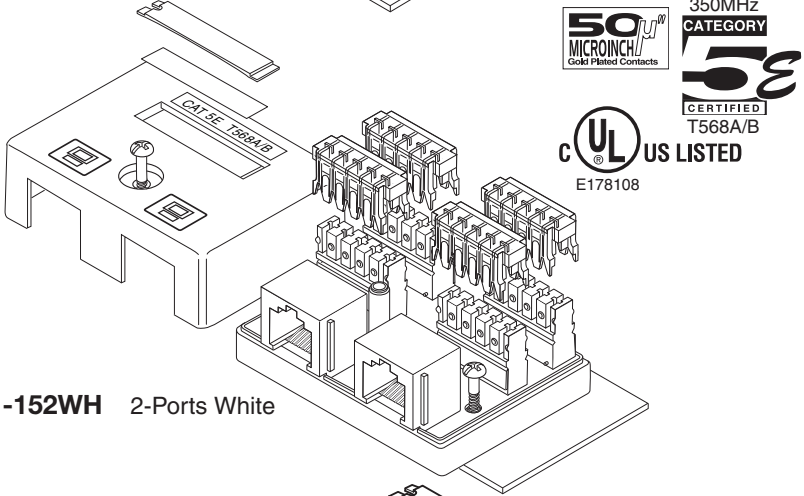


Category-5E Surface Jacks

Surface Mount Biscuit Block Jacks
 Category-5E UL Verified and Listed
 High-Reliability Printed-Circuit Board Design
 110-Termination AWG22-26 Tin-Lead Contact
 Beryllium-Copper Modular Jack Contacts
 50µ" Hard-Gold Plating over 50-100µ" Nickel
 Conforms to FCC Part 68.5 requirements
 High-Impact UL94V-0 Thermoplastic Housing
 EIA/TIA T568A/B AT&T-258A Standard – 350MHz
 Installation kit includes mounting screws,
 double-sided adhesive pad, designation label and
 protective label-cover



301-151WH 1-Port White



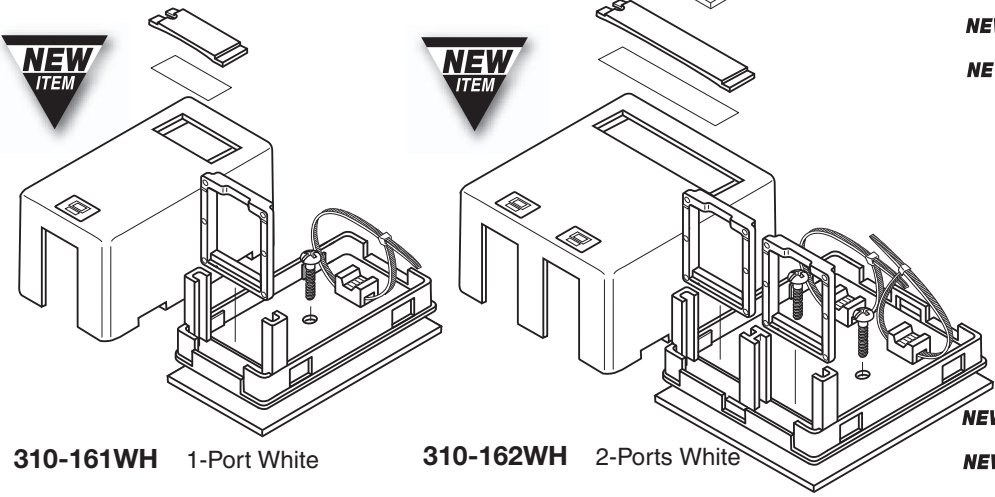
301-152WH 2-Ports White

301-151WH 1-Port White CAT5 Surface Jack
 Rear and Side Cable Entrances

301-152WH 2-Port White CAT5 Surface Jack
 Rear Cable Entrance

Keystone Surface Mount Boxes

Surface Mount Keystone Non-Connectorized Biscuit Box
 Holds industry standard modular keystone inserts
 High-Impact UL94V-0 Thermoplastic Housing
 Installation kit includes mounting screws,
 double-sided adhesive pad, label and
 protective label cover



310-161WH 1-Port White

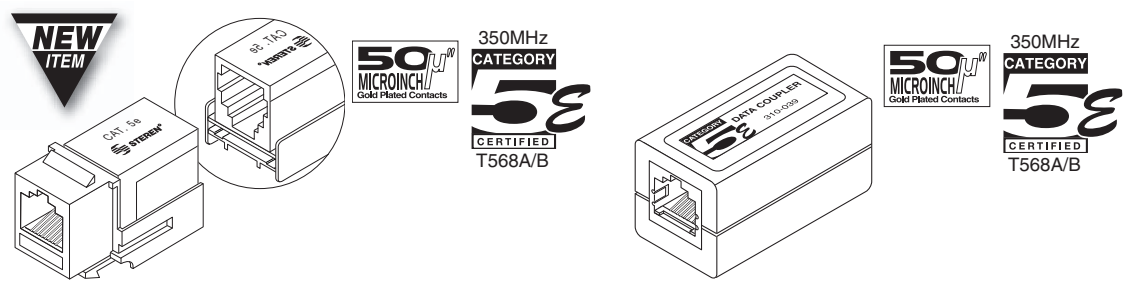
310-162WH 2-Ports White

NEW ▶ 310-161WH 1-Port Keystone Surface Biscuit

NEW ▶ 310-162WH 2-Port Keystone Surface Biscuit

Category-5E Couplers

Category-5E Dual Jack-Jack Couplers
 Joins two RJ45 cords – Reverse Configuration
 8-Conductor Phosphor-Bronze Jack Contacts
 50µ" Hard Gold Plating over 80µ" Nickel Plating
 Conforms to EIA/TIA T568B standard – 350MHz
 Conforms to FCC Part 68.5 requirements



310-042BK Black
310-042WH White

310-039 8C Black

310-039 CAT5E Black In-line Coupler

NEW ▶ 310-042BK CAT5E Black Keystone Coupler

NEW ▶ 310-042WH CAT5E White Keystone Coupler