

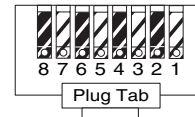
Non-Booted CAT5E Patch Cords

Non-booted, flexible data cables connect hub to patch-panel or wall-outlet to workstation
 Constructed of High-Performance CAT5E Cable Suitable for 350MHz High-Speed Data Applications Such as Gigabit Ethernet, Fast Ethernet 155Mbps TP-PMD/CDDI
 4-Pair AWG24-Stranded Copper UTP Cable
 100% Tested Wiring Sequence and Continuity
 Terminated to 8-Contact RJ45 Modular Plugs
 50µ" Hard-Gold Plating Over 80µ" Nickel
 Excellent Attenuation and Crosstalk Characteristics
 Nominal Impedance 100Ω±15%
 DC Resistance <9.38Ω/1000ft
 Mutual Capacitance <0.9pF/ft @ 1 kHz
 Flame Retardant – Type CM CMG, CMH
 Suitable for Indoor Installations
 Exceeds EIA/TIA 568,UL, CSA and ISO/IEC 11801
 UL/cUL or ETL Listed

- 308-503BK 3' Black CAT5E Non-booted Cord
- 308-503BL 3' Blue CAT5E Non-booted Cord
- 308-503GR 3' Green CAT5E Non-Booted Cord
- 308-503GY 3' Grey CAT5E Non-Booted Cord
- 308-503OR 3' Orange CAT5E Non-Booted Cord
- 308-503RD 3' Red CAT5E Non-Booted Cord
- 308-503WH 3' White CAT5E Non-Booted Cord
- 308-503YL 3' Yellow CAT5E Non-Booted Cord
- 308-505BK 5' Black CAT5E Non-Booted Cord
- 308-505BL 5' Blue CAT5E Non-Booted Cord
- 308-505GR 5' Green CAT5E Non-Booted Cord
- 308-505GY 5' Grey CAT5E Non-Booted Cord
- 308-505OR 5' Orange CAT5E Non-Booted Cord
- 308-505RD 5' Red CAT5E Non-Booted Cord
- 308-505WH 5' White CAT5E Non-Booted Cord
- 308-505YL 5' Yellow CAT5E Non-Booted Cord
- 308-507BK 7' Black CAT5E Non-Booted Cord
- 308-507BL 7' Blue CAT5E Non-Booted Cord
- 308-507GR 7' Green CAT5E Non-Booted Cord
- 308-507GY 7' Grey CAT5E Non-Booted Cord
- 308-507OR 7' Orange CAT5E Non-Booted Cord
- 308-507RD 7' Red CAT5E Non-Booted Cord
- 308-507WH 7' White CAT5E Non-Booted Cord
- 308-507YL 7' Yellow CAT5E Non-Booted Cord
- 308-510BK 10' Black CAT5E Non-Booted Cord
- 308-510BL 10' Blue CAT5E Non-Booted Cord
- 308-510GR 10' Green CAT5E Non-Booted Cord
- 308-510GY 10' Grey CAT5E Non-Booted Cord
- 308-510OR 10' Orange CAT5E Non-Booted Cord
- 308-510RD 10' Red CAT5E Non-Booted Cord
- 308-510WH 10' White CAT5E Non-Booted Cord
- 308-510YL 10' Yellow CAT5E Non-Booted Cord
- 308-514BK 14' Black CAT5E Non-Booted Cord
- 308-514BL 14' Blue CAT5E Non-Booted Cord
- 308-514GR 14' Green CAT5E Non-Booted Cord
- 308-514GY 14' Grey CAT5E Non-Booted Cord
- 308-514OR 14' Orange CAT5E Non-Booted Cord
- 308-514RD 14' Red CAT5E Non-Booted Cord
- 308-514WH 14' White CAT5E Non-Booted Cord
- 308-514YL 14' Yellow CAT5E Non-Booted Cord
- 308-525BK 25' Black CAT5E Non-Booted Cord
- 308-525BL 25' Blue CAT5E Non-Booted Cord
- 308-525GR 25' Green CAT5E Non-Booted Cord
- 308-525GY 25' Grey CAT5E Non-Booted Cord
- 308-525OR 25' Orange CAT5E Non-Booted Cord
- 308-525RD 25' Red CAT5E Non-Booted Cord
- 308-525WH 25' White CAT5E Non-Booted Cord
- 308-525YL 25' Yellow CAT5E Non-Booted Cord
- 308-550BL 50' Blue CAT5E Non-Booted Cord
- 308-550GY 50' Grey CAT5E Non-Booted Cord
- 308-550YL 50' Yellow CAT5E Non-Booted Cord
- 308-575BL 75' Blue CAT5E Non-Booted Cord
- 308-575GY 75' Grey CAT5E Non-Booted Cord
- 308-575YL 75' Yellow CAT5E Non-Booted Cord
- 308-500BL 100' Blue CAT5E Non-Booted Cord
- 308-500GY 100' Grey CAT5E Non-Booted Cord
- 308-500YL 100' Yellow CAT5E Non-Booted Cord

T568B Wiring Sequence

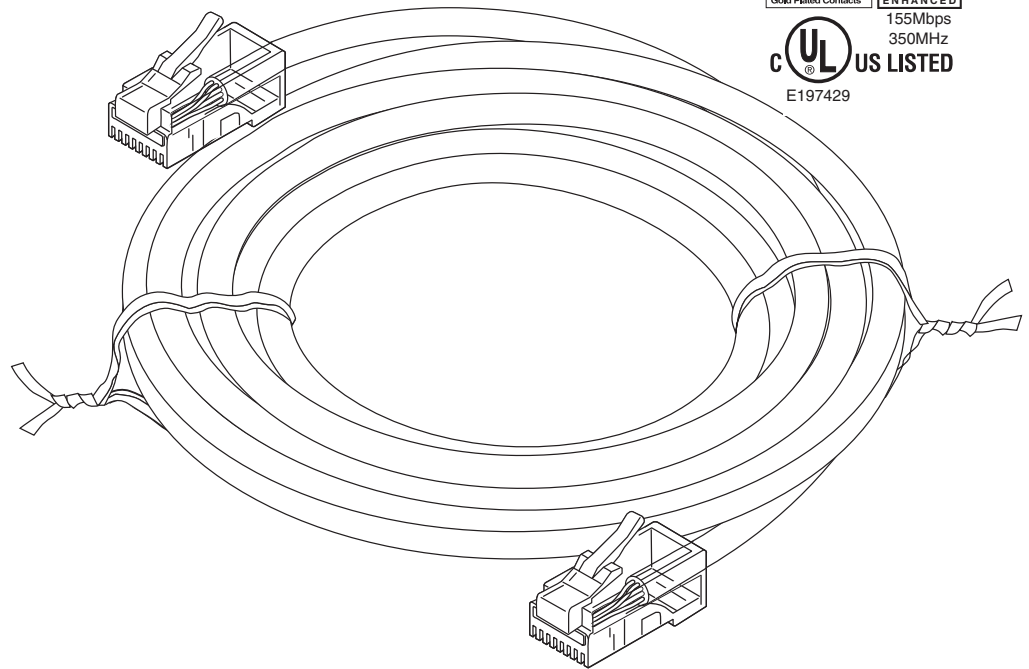
- | Conductor | |
|-----------|--------------|
| 1 | White—Orange |
| 2 | Orange—White |
| 3 | White—Green |
| 4 | Blue—White |
| 5 | White—Blue |
| 6 | Green—White |
| 7 | White—Brown |
| 8 | Brown—White |



ENHANCED
155Mbps
350MHz



E197429



- 308-503 3' Black, Blue, Green, Grey, Orange, Red, White, Yellow
- 308-505 5' Black, Blue, Green, Grey, Orange, Red, White, Yellow
- 308-507 7' Black, Blue, Green, Grey, Orange, Red, White, Yellow
- 308-510 10' Black, Blue, Green, Grey, Orange, Red, White, Yellow
- 308-514 14' Black, Blue, Green, Grey, Orange, Red, White, Yellow
- 308-525 25' Black, Blue, Green, Grey, Orange, Red, White, Yellow
- 308-550 50' Blue, Grey, Yellow
- 308-575 75' Blue, Grey, Yellow
- 308-500 100' Blue, Grey, Yellow