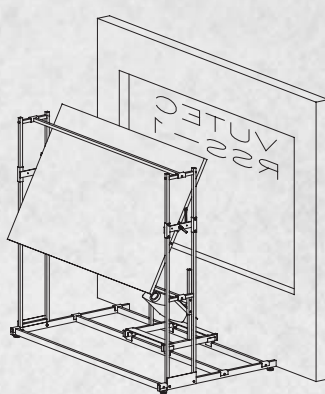
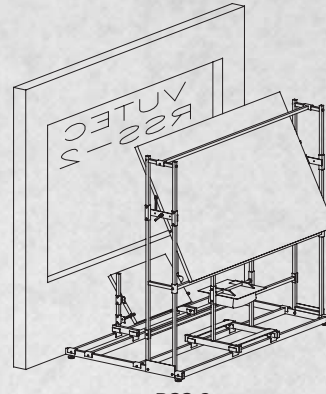


RETRO-TRAC



RSS-1



RSS-2

Retro-Trac is a universal rear projection rail system, offering a projector cradle that accommodates most CRT, DLP and LCD projectors. The system is designed to be fully adjustable, including height, angle, mirror adjustments and distance positioning. To accommodate special needs, Vutec offers a variety of fixed and portable rear projection screens and video systems.

Features

- System adjusts to specific requirements
- Heavy duty welded steel matte black powder coated frame
- Single or dual mirror assembly
- Vutec Engineers will customize systems for specific installations based on projector, lens throw distance, screen size, sill height and available space

SF-FRAME

Features

- Tapered profile, aluminum frame with black velvet finish
- Beveled edges add elegance to interior décor
- Trim flange eliminates the need for wall finishing

MIRROR-TEC

Mirror-Tec is a first-surface glass mirror for rear projection systems. The high quality mirrors are mounted within an extruded aluminum black powder-coated frame, along with provisions for versatile mounting. Mirror-Tec is available in multiple sizes to suit any application.

Features

- An average minimum reflective value of 94%
- Mirror is framed from the factory and includes attachment points for RSS1/RSS2 installation
- Packed in a custom wood crate with internal suspension at no additional charge
- Engineering support is provided for authorized Vutec dealers