

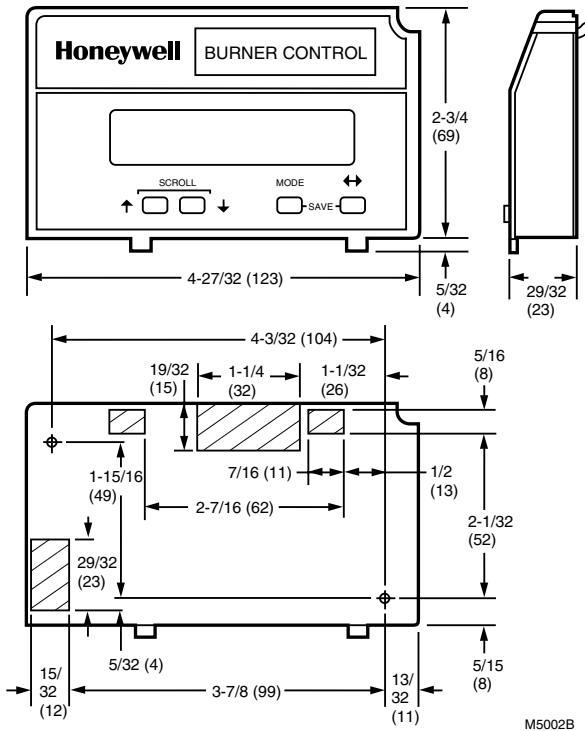
Display Modules

S7800 Keyboard Display Module



Provides current status of burner sequence, timing information, hold information and lockout information, as well as selectable or preemptive messages.

Dimension Diagrams



- Application flexibility.
- Communication interface capability.
- Dependable, long-term operations provided by microcomputer technology.
- First-out annunciation and system diagnostics provided by 2 row by 20 column Vacuum Fluorescent Display (VFD).
- Local or remote annunciation of operation and fault information.
- First out expanded annunciation with 24 limit and interlock LEDs enhances keyboard display module information.
- Provides burner controller data.
- Remote reset.
- Report generation.

Ambient Temperature Rating: -40 F to 140 F (-40 C to 60 C)

Vibration: 0.5 G environment

Weight (lb): 4 oz (113 g)

Approvals:

Canadian Standards Association: Certified, File No. LR95329-3.

Factory Mutual: Approved: Report No. J.I.1V9AO.AF.

FCC Emissions: FCC Part 15, Class B, Emissions.

Industrial Risk Insurers: IRI Acceptable.

Underwriters Laboratories, Inc: Listed: File No. MP268, Guide No. MCCZ.

Accessories:

206311 Carrying Case for S7800 Display

203541 Five (5) Wire Connector for S7800 Display

Product Number	Electrical Ratings, Power Supply (Vac)	Comments	Description
S7800A1001	13 Vdc peak fullwave rectified (+20/-15%).	English Language	Display Module
S7800A1035	13 Vdc peak fullwave rectified (+20/-15%).	French Language	Display Module
S7800A1043	13 Vdc peak fullwave rectified (+20/-15%).	German Language	Display Module
S7800A1050	13 Vdc peak fullwave rectified (+20/-15%).	Italian Language	Display Module
S7800A1068	13 Vdc peak fullwave rectified (+20/-15%).	Spanish Language	Display Module
S7800A1126	13 Vdc peak fullwave rectified (+20/-15%).	Portuguese Language	Display Module